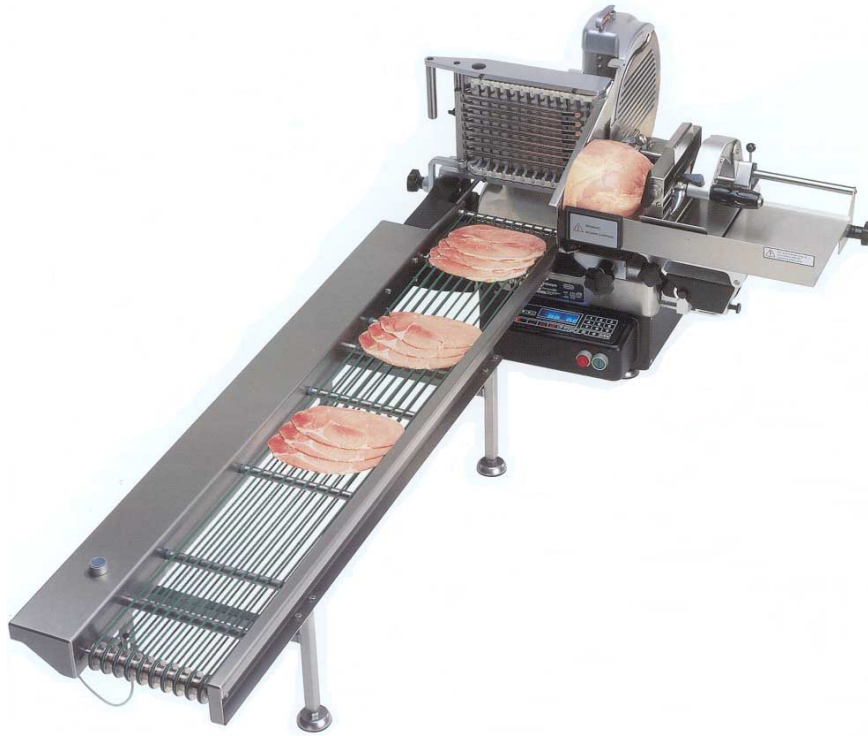


Exploded view slicer:

834 – EPC



DEKO Holland
Simon Stevinweg 19
6827 BS Arnhem
The Netherlands

June 2010



**Recommended spareparts list 834EPC**

Part no.	Description	Assembly
2301-5202	V-belt	knife box
2301-5209	V-belt	powerstroke
2301-5210	V-belt	powerstroke
2301-5211	V-belt	powerstroke
2601-0036	sliding potentiometer	thickness regulator
2601-1083	switch green	bezel
2601-1084	switch red	bezel
2601-1111	micro switch	knife box
2601-6568	carbon brushes	powerstroke
2901-0007	E-prom stacker programmed	bezel
3201-4123	knob	meat table
3301-3810	spindle bearing	sharpener
3301-3824	belt pulley	transporter
3701-3381	hinge piece	meat table
3801-3350	knob with pin	thickness regulator
3801-3199	pulley	transporter
3801-3200	centerplate knob	knife box
3801-3287	split nut / handle	meat table
4101-3492	touch panelbezel	
4101-3610	transformer group 230 Volt	powerstroke
4101-3620	CPU board	bezel
4101-3821	hardnessing	powerstroke
4101-3851	powerstroke board	bezel
4101-3622	interconnection board	tray / solenoid housing
4101-3632	DC motor	powerstroke
4101-3634	motor 230V 50Hzbase	
4301-3404	sharpening stone with shaft	sharpener
4301-3405	deburring stone with shaft	sharpener
4301-3418	conveyor belt	transporter
4301-3424	solenoid	tray / solenoid housing
4301-3427	fingerholder	tray / solenoid housing
4301-3659	pulley	transporter
4301-3687	belt assy	base
4401-3300	disc	meat table
4601-3527	stepping motor	tray / solenoid housing
4601-3710	supporting shaft	meat table
4601-3504	sharpener assy	sharpener

Exploded view: Base

Concern code: 4601 - 0064 - 02

Pos	Part no.	Qty	Description	As of serial no
1	4101-3633	1	Motor 110V/60Hz	
	4101-3634	1	Motor 230V/50Hz	
	4101-3635	1	Motor 380V/50Hz	
2	4101-3629	1	Snubber	
3	2101-7008	3	Nut M6 DIN934	
4	2101-8520	5	Lock washer B6 DIN127	
5	3101-3752	1	Legend plate 230V	
	3101-3755	1	Legend plate 240V	
	3101-3756	1	Legend plate 110V	
6	3201-3375	2	Cylinder screw M6x15	
7	2201-3016	3	Grooved pin 4x16 DIN1474 RVS A2	
8	4101-3771	1	Cable safety switch assy	
9	3301-4193	1	Extension piece	
10	2101-8520	1	Lock washer	
11	--			
12	3301-4194	1	Lengthening piece	
13	--			
14	2101-1010	2	Screw M4x8 DIN933	
15	2101-2032	4	Screw M3x12 DIN7985	
16	4101-3770	1	Cable	
17	3501-3704	1	Switch plate	
18	2601-1087	2	Micro switch	
19	2101-8008	2	Washer DIN125	
20	3401-4191	1	Mounting plate	
21	3301-4326	2	Extension piece	
22	2101-1022	4	Bolt M6x25 DIN933	
23	2201-3017	1	Grooved pin 4x40 DIN1474	
24	3401-3823	1	Main frame cover	
25	3701-3357	1	Main frame	
26	3301-4302	1	Guiding rod	
27	2101-3019	6	Allen screw M6x20 DIN912	
28	3501-3729	1	Frame CE	
	3501-3690	1	Frame Non CE	
29	2101-3072	3	Allen screw M5x35 DIN912	
30	3301-3823	1	Coqwheel	
31	2201-3027	1	Spring dowel 3x12 DIN1481	
32	3201-6064	2	Ring	
33	2301-8037	2	Nyliner 1320-508-00	
34	3301-4199	1	Bearing bushing	
35	3301-3822	1	Coqwheel shaft	
36	3301-4198	1	Bearing bushing	
37	3301-3824	1	Belt pulley	
38	2101-3174	1	Screw M5x10 DIN916 stainless steel	10580

DEKO Holland.



Exploded view: Base

Concern code: 4601 - 0064 - 02

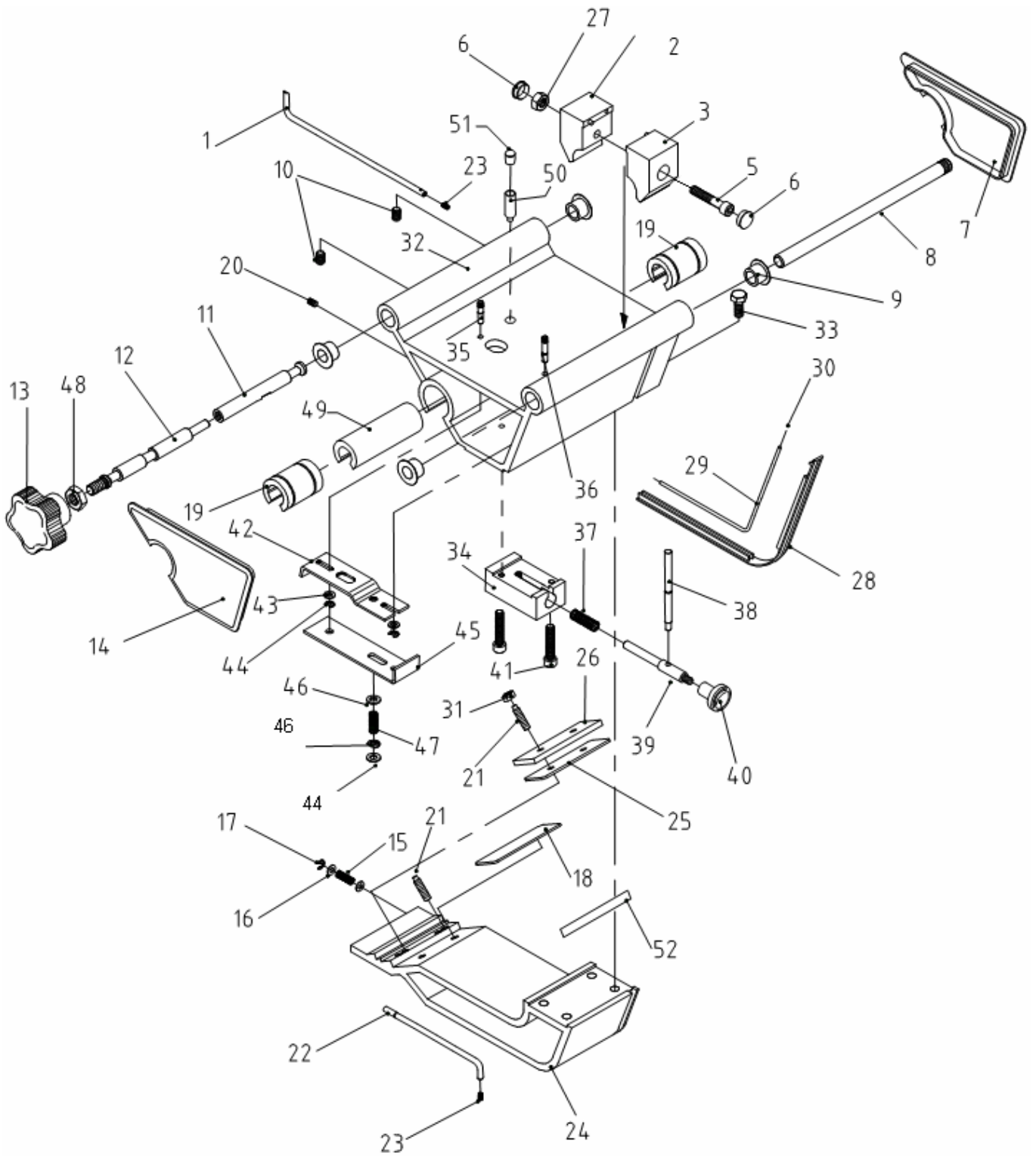
Pos	Part no.	Qty	Description	As of serial no.
39	3301-4226	1	Ring disk	
40	2301-7023	1	Ball bearing 8x22x7	
41	3301-3825	1	Ring disk	
42	2101-1094	1	Bearing shaft	
43	3301-4192	2	Spacer	
44	4301-3610	2	Pulley	
45	3801-3161	2	Space ring	
46	3401-4139	2	Stop	
47	3301-4191	2	Bolt	
48	3301-3896	1	Extension piece	
49	3301-3895	1	Extension piece	
51	2101-7067	1	Nut	
52	2101-8008	1	Lockwasher	
53	2101-1010	2	Hex bolt	
54	3301-4272	1	Extension piece	
55	3401-4137	1	Push plate	
56	3401-4138	2	Friction strip	
57	3401-4557	1	Stop plate	10738
58	2201-9024	2	Bumpon	
59	4301-3686	1	Mounting block	
60	2101-3040	2	Hex bolt	
61	2101-9215	10	Spring disk	
62	4301-3687	1	Belt assy incl spring	
63	4401-3127	1	Solenoid housing support	
64	2101-9119	1	Lockwasher	
65	2101-1024	1	Bolt M8x20 DIN933	
66	2101-3141	2	Allen screw M6x35 DIN7984	
67	3501-3537	1	Strip	
68	4301-3735	1	Pushing strip CE only	
69	3401-4245	1	Cover plate CE only	
70	2101-2108	4	Screw M4x6 DIN85 RVS A2 CE only	
71	3401-4246	1	slide CE only	
72	3301-4392	1	guide CE only	
73	2101-8054	2	washer	
74	2201-4842	2	Lockwasher	

DEKO Holland.



Exploded view: Sled

Concern code: 4601 - 0057 - 01





Exploded view: Sled

Concern code: 4601 - 0057 - 01

Pos	Part no.	Qty	Description	As of serialno
1	3301-4298	1	Safety lever	
2	3801-3316	1	Friction block	
3	3801-3317	1	Friction block	
4	--			
5	2101-3160	1	Allen screw M6x30 DIN912	
6	3801-3298	2	Closing cap	
7	3801-3286	1	Closing cap	
8	3301-4301	1	Shaft	
9	3301-4361	4	Bearing bushing	
10	2101-3166	2	Set screw M6x8 DIN915	
11	3301-4296	1	Shaft	
12	3301-4295	1	Shaft	
13	3201-4123	1	Knob	
14	3801-3285	1	Closing cap	
15	3201-3332	2	Spring	
16	2101-8054	2	Washer DIN125	
17	2201-4842	2	Security ring DIN6799	
18	3801-3366	1	Slide plate	
19	2301-7050	2	Bearing	9344
20	2101-3113	2	Set screw M4x6 DIN916	
21	2101-3165	2	Set screw M5x20 DIN915	
22	3301-4299	1	Safety lever	
23	2101-3099	1	Set screw M3x5 DIN914	
24	3501-3694	1	Sled 2	
25	3801-3365	1	Slide plate	
26	3501-3699	1	Push plate	
27	2101-7067	1	Locknut	
28	3801-3284	1	Closing strip	
29	3601-1003	1	Cable housing	
30	3601-1004	1	Cable	
31	2101-7068	2	Nut M5 DIN934	
32	3501-3728	1	Sled	9344
33	2101-1032	4	Bolt M6x12 DIN933	
34	3501-3730	1	Switch housing	
35	3301-4390	1	Pin 2	
36	3301-4389	1	Pin 1	
37	3201-3335	1	Spring	
38	3301-4386	1	Switch lever	
39	3301-4387	1	Switch shaft	
40	3801-3184	1	Knob	
41	2101-3112	2	Screw M4x20 DIN912 8.8 E3E	
42	3401-4243	1	Blocking plate	
43	2101-8054	2	Washer 4,3 DIN125 inox A2	
44	2201-4841	3	Locking washer 4 DIN6799 inox	
45	3401-4244	1	Unlocking catch	

DEKO Holland.



Exploded view: Sled

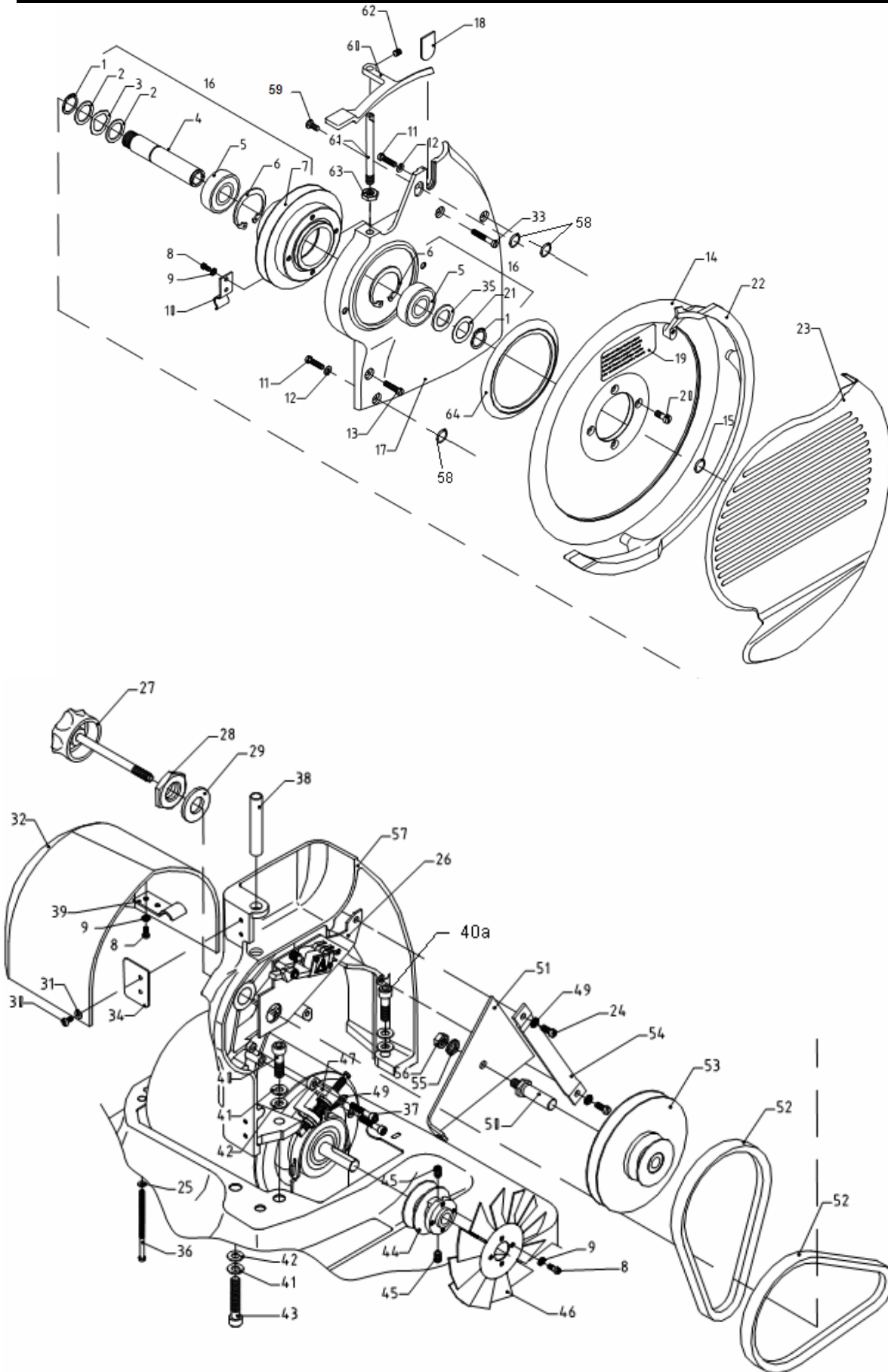
Concern code: 4601 - 0057 - 01

Pos	Part no	Qty	Description	As of serialno
46	3201-6084	2	Washer 6,4 DIN433	
47	3201-3288	1	Spring	
48	2101-7046	1	Nut Bm8 DIN439 04 inox A2	
49	3401-4529	1	Felt	9344
50	3301-4432	1	Oil tube	9344
51	2201-9109	1	Closing cap	9344
	1801-1020		0.08 litre Oil, Shell Cassida fluid GL460	9344
52	3201-3363	1	Fill plate	
	4601-0107	1	Bottle with oil Shell Cassida fluid GL460, 8ml	

DEKO Holland.



Exploded view: Knifebox
Concern code: 4601 - 0058 - 06





Exploded view: Knifebox

Concern code: 4601 - 0058 - 06

Pos	Part no.	Qty	Description	As of serialno
1	2201-4835	2	20 x 1.2 DIN471	
2	3201-6096	2	20.5 x 28 x 1.5 Washer	
3	2101-8517	1	21 x 30.5 x 0.5 Wave washer	
4	3301-3792	1	Knife shaft	
5	2301-7021	2	20 x 47 x 14 Ball bearing	
6	2201-4834	2	47 x 1.75 DIN472	
7	3701-3168	1	Pulley	
8	2101-2080	8	M4x8 DIN85 RVS	
9	2101-9115	8	J4.3 DIN6798	
10	3401-3794	1	Clamp	
11	2101-2072	2	M5 x 20 DIN85	
12	2101-8516	2	5 DIN7980	
13	2101-2150	1	M5 x 20 DIN84 RVS	
14	3501-3447	1	Knife carbon steel	
	3501-3765	1	Knife stainless steel	
	3501-3770	1	Knife teflon coated	
15	2201-4840	1	lock washer 13 x 1.5 RVS	
16	4301-3387	1	Knife shaft assy pos.nr:1,2, 3, 4, 5, 6, 7, 21,35	
17	3701-3480	1	Knife box cover	10461 with holes
18	3401-3791	1	Sharpener guide	8936
19	3101-3426	1	Instruction sticker	
20	2101-2074	4	M6 x 12 DIN84 RVS	
21	3201-6091	1	20.5 x 32 x 0.3 Washer	
22	3701-3478	1	Blade guard	8936
23	4401-3123	1	Blade cover (knife centre plate)	
	4401-3376	1	Blade cover teflon coated	
24	2101-2062	2	M5x12 DIN85 RVS	10645
25	2101-8051	2	A4.3 DIN125 E3E	
26	4601-3782	1	Switch unit	
27	3801-3200	1	Centre plate knob	
28	3201-6078	1	Special nut M18 x 1	
29	3201-6089	1	18.25 x 31 x 2 washer	
30	3201-6114	2	Screw	
31	2201-0028	2	3m6x6 DIN7 RVS A2	
32	3701-3169	1	Motor cover	
33	2101-2151	1	M5X30 DIN84 RVS	
34	3401-4239	1	Cover plate	
35	3201-6090	1	Washer 20,5x32x2	
36	2101-2073	2	M4 x 80 DIN84 E3E	
37	2101-2082	2	M5x10 DIN85 RVS	
38	3301-3795	1	Tube	
39	3401-3793	1	Coverclamp	



Exploded view: Knifebox

Concern code: 4601 - 0058 - 06

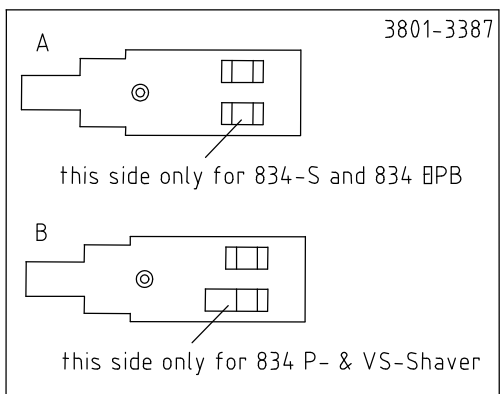
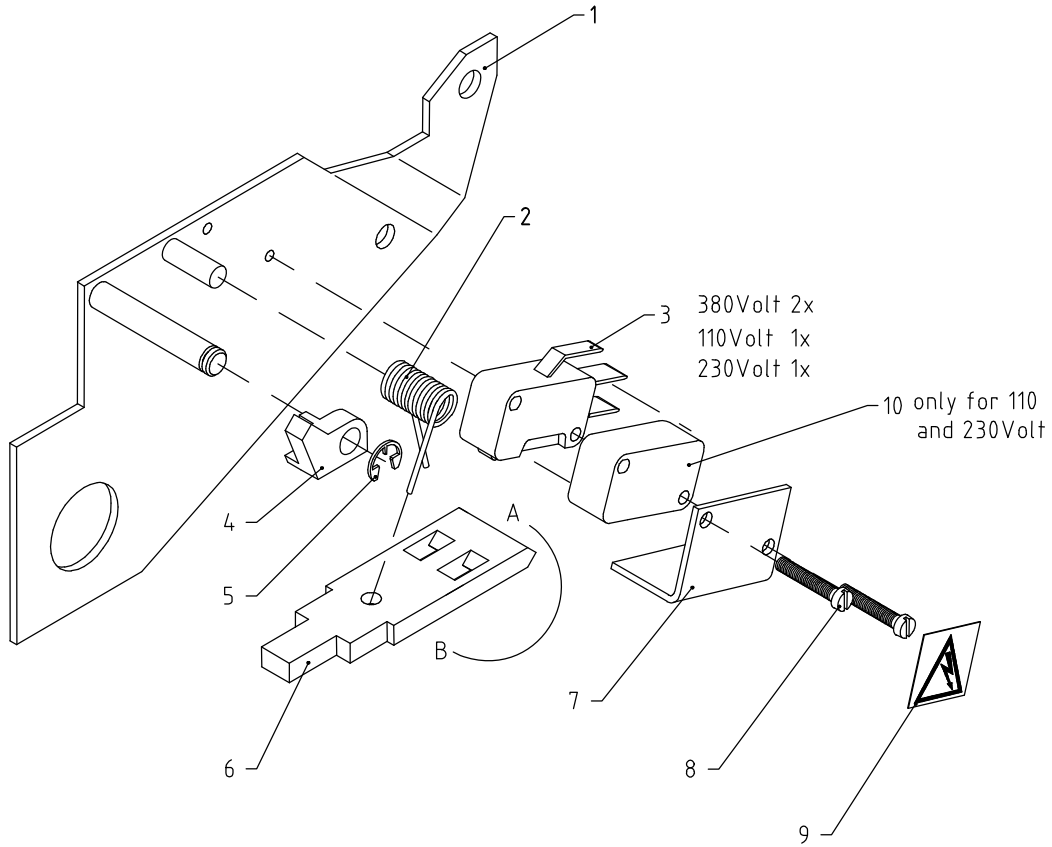
Pos	Part no.	Qty	Description	As of serialno
40	2101-3103	1	M8 x 35 DIN912 A3A	
40a	2101-3101	1	M8 x 25 DIN912	
41	2101-9201	3	18 x 8.2 x 0.8 DIN2093	
42	2101-8020	3	8.4 DIN125 RVS A2	
43	2101-3104	1	M8 x 45 DIN912	
44	3701-3162	1	Motor pulley	
	3301-4540	1	Motor pulley USA	
45	2101-3110	2	M6 x 12 DIN916	
46	3401-3779	1	Fan	
47	4301-3389	1	V-belt stretcher	
48	---			10645
49	2101-9116	4	J5.3 DIN6798	
50	3301-3789	1	Shaft for idler plate	
51	3401-3789	1	Belt idler plate	
52	2301-5202	2	V-belt	
53	4301-3391	1	Counter shaft pulley	
54	3401-4558	1	Belt idler strip	10645
55	2101-9119	1	A8.4 DIN6798	
56	2101-7049	1	M8 DIN 934 E3E	
57	3701-3215	1	Knifebox	
58	2101-8050	3	washer	10645
59	2101-2088	1	M5 X 16	
60	3501-3784	1	Blade guard bracket	8936
61	3301-4536	1	Shaft	8936
62	2101-3253	1	M5 x 6 DIN916 RVS	
63	2101-7046	1	M8 DIN936 RVS	
64	3801-3398	1	Seal ring	10461
	4301-3715	1	Knifebox complete pos. nr.: 57 & 38	
	4301-3388	1	Belt idler plate pos. nr.: 50, 51, 55, 56	

DEKO Holland.



Exploded view: Switch plate

Concern code: 4601 - 3788 - 02



DEKO Holland.



Exploded view: Switch plate

Concern code: 4601 3788 - 02

Pos	Part no.	Qty	Description	As of serialno
1	4301-3811	1	Mountingplate	626949
2	3201-3361	1	Torsion spring	626949
3	2601-1111	1	Micro switch without lever	626949
4	3801-3386	1	Switch cam	626949
5	2201-4841	1	4 DIN6799 RVS	626949
6	3801-3387	1	Switch plate	626949
7	3401-4500	1	Guide plate	626949
8	2101-2050	2	M3 x 25 DIN84 RVS	626949
9	3101-4010	1	Warning sticker	626949
10	3801-3396	1	Plastic dummy micro switch	626949

DEKO Holland.



Exploded view: Switch plate

Concern code: 4601 - 3782 - 02

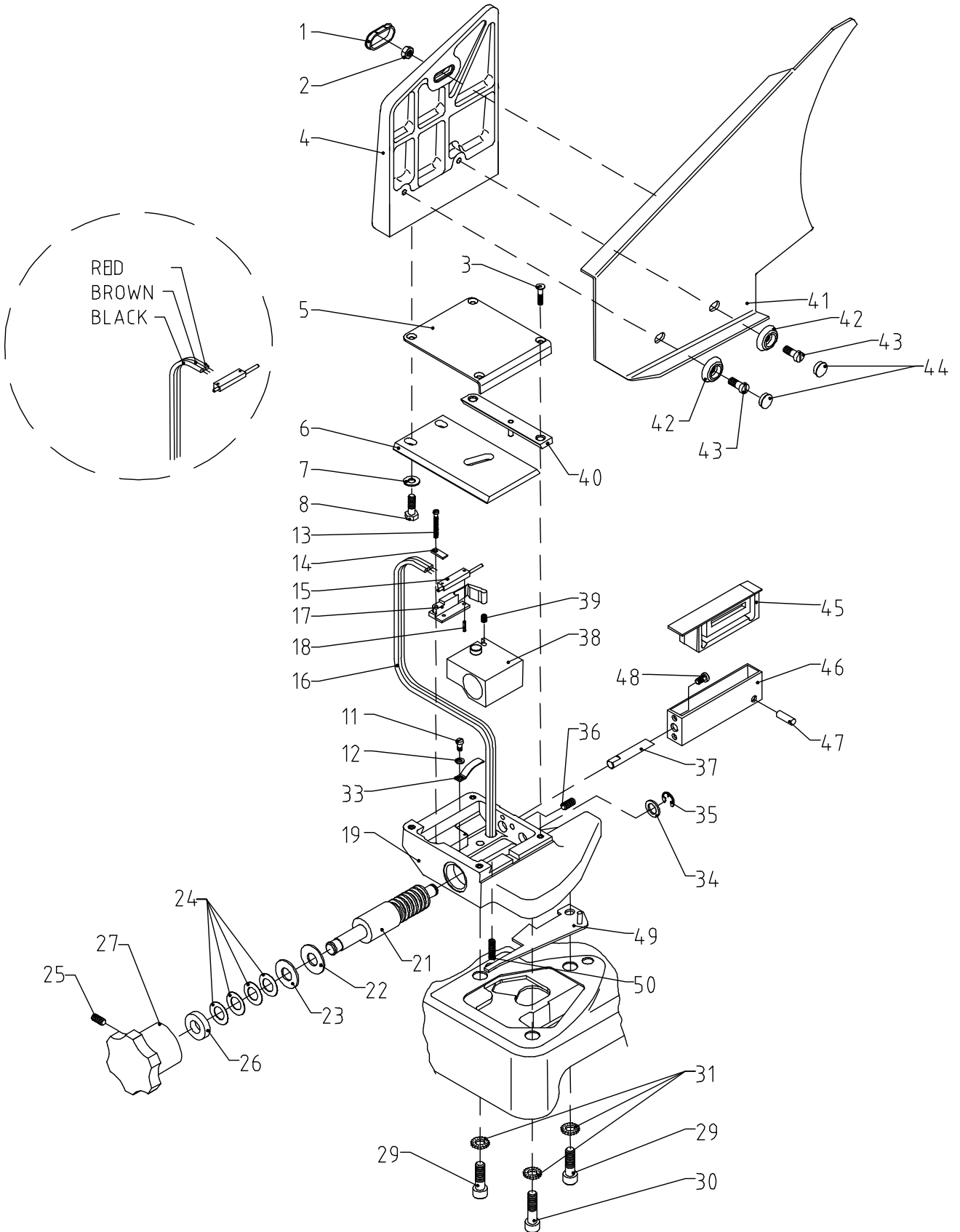
Pos	Part no.	Qty	Description	As of serialno
1	4301-3811	1	Mountingplate	627123
2	3201-3361	1	Torsion spring	627123
3	2601-1111	2	Micro switch without lever	627123
4	3801-3386	1	Switch cam	627123
5	2201-4841	1	4 DIN6799 RVS	627123
6	3801-3387	1	Switch plate	627123
7	3401-4500	1	Guide plate	627123
8	2101-2050	2	M3 x 25 DIN84 RVS	627123
9	3101-4010	1	Warning sticker	627123

DEKO Holland.



Exploded view: Thickness regulator

Concern code: 4601 - 0063 - 03





Exploded view: Thickness regulator

Concern code: 4601 - 0063 - 02

Pos	Part no.	Qty	Description	from serialno:
1	3801-3194	1	Closing hood	
2	2101-7613	1	Nut M5 x 6 stainless steel	10410
3	2101-4050	4	Countersunk head screw	
4	3501-3806	1	Support of stainless steel gauge	10410
5	3401-3841	1	Cover plate	
6	3501-3485	1	Control plate	
7	3201-6083	2	Washer 6,4x14x1,2 inox	
8	2101-1086	2	Hex. bolt M6x18 DIN913 inox	
9	--			
10	--			
11	2101-2108	1	Pan head screw M4x6 DIN85	
12	2101-8008	1	Washer 4,3 DIN125	
13	2101-2160	1	M3x16 DIN965 4.8 E3E	11320
14	3401-4614	1	Clamping plate	11320
15	2601-0052	1	Sliding potentiometer	11320
16	4101-3591	1	Potentiometer cable	
17	3801-3436	1	Lever	11320
18	2201-3719	1	Spring dowel 2x10 DIN1481	
19	3701-3401	1	Index group	
20	--			
21	3301-3912	1	Treaded rod	
22	3201-6085	1	Ring 12,2x28x1,5 pe	
23	3201-6108	1	Ring 12,2x27x2 inox	
24	2101-9222	8	Spring kel8-r7	
25	2101-3037	1	M6x12 DIN915 45h A3A	
26	3301-4423	1	Ring	
27	3801-3350	1	Index knob with pin	
29	2101-3101	2	Hex.socket screw M8x25 DIN912	
30	2101-3124	1	Hex.socket screw M8x30 DIN912	
31	2101-9119	3	Lock washer A8,4 DIN6798	
33	3401-3862	1	Spring	
34	3201-6102	1	Washer 10,1x16x1,5 inox	
35	2201-4837	1	Circlip diam. 7 DIN6799 A3A	
36	2101-3127	1	Set screw M6x6 DIN916 inox	
37	3301-4309	1	Thickness cam	
38	4301-3716	1	Special nut assy	
39	2101-3174	1	Allen screw M5x10 DIN916 stainless steel	

DEKO Holland.



Exploded view: Thickness regulator

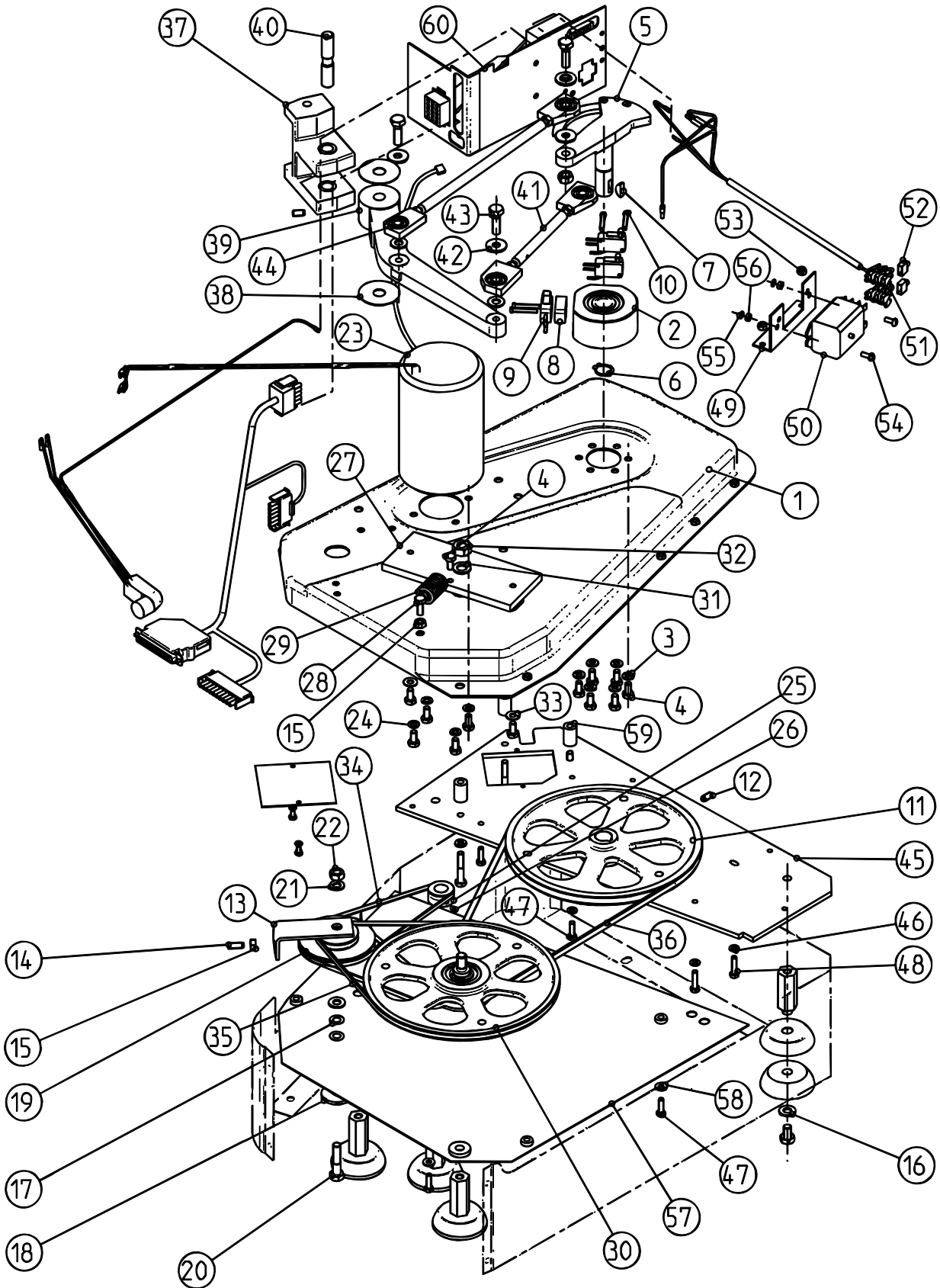
Concern code: 4601 - 0063 - 02

Pos	Part no.	Qty	Description	from serialno
40	4301-3360	1	Adjusting strip	
41	4301-3816	1	Stainless steel thickness plate	
	4401-3396	1	Teflon coated thickness plate	
42	3301-4325	2	Ring	
43	2101-2074	2	Screw M6x12 DIN84 RVS A2	
44	3801-3298	2	Closing cap	
45	3801-3288	1	Slope	
46	3501-3700	1	Mounting slope	
47	2201-0054	1	Pin	
48	2101-3065	2	Allen screw M5x8 DIN7984	
49	4301-3736	1	Switch plate CE only	
50	3201-3332	1	Spring CE only	
	4601-3912	1	Potentiometer replacement kit (pos. 13, 14, 15 and 17)	11320

DEKO Holland.



Exploded view: Powerstroke
Concern code: 4601 - 0146 - 00





Exploded view: Powerstroke

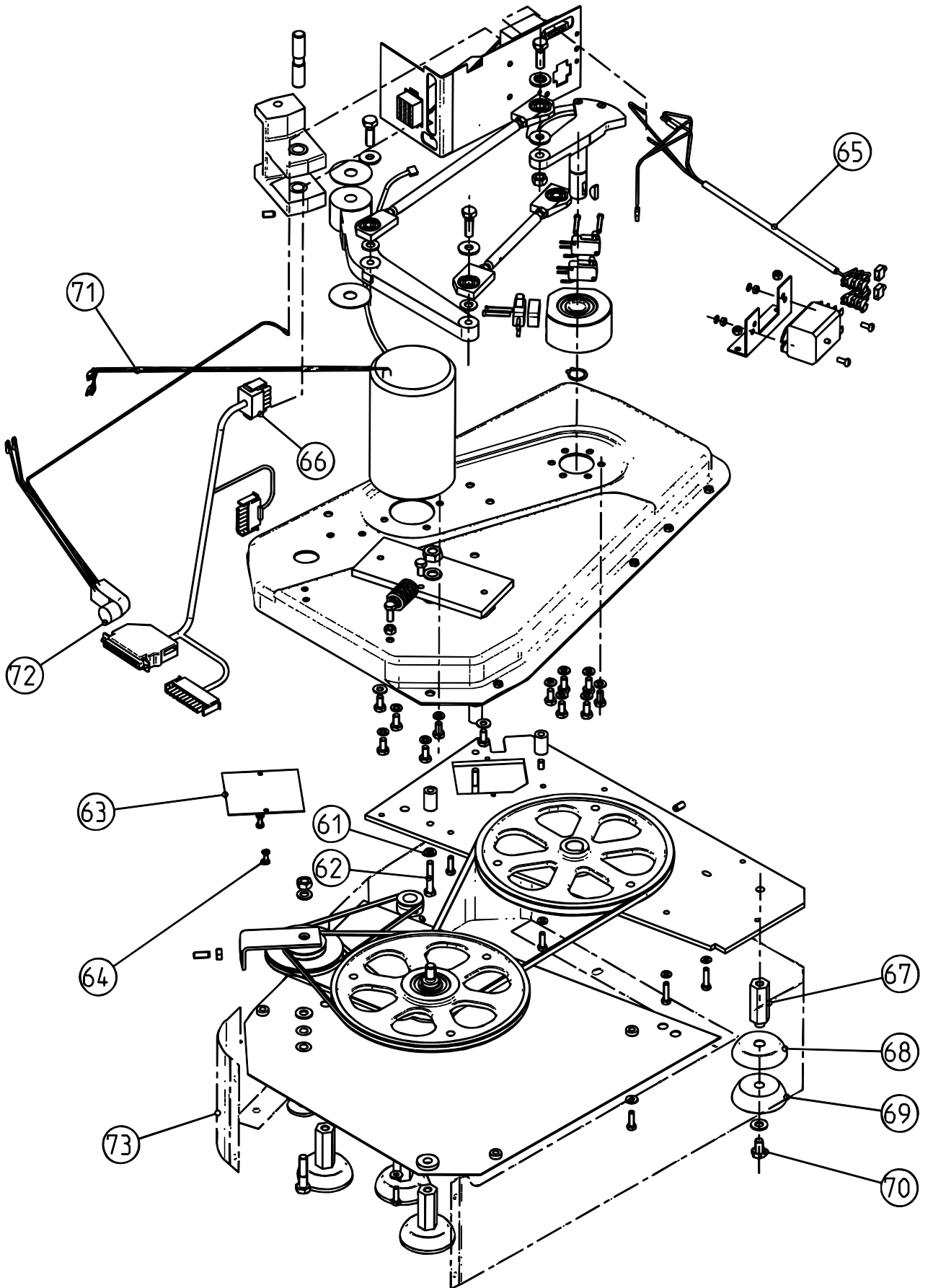
Concern code: 4601 - 0146 - 00

Pos	Part no.	Qty	Description	As of serialno
1	4401-3248	1	Bottom plate	epc02001
2	4301-3855	1	Bush	epc02001
3	2101-8550	6	Washer DIN 127 - B 6 - RVS A2	epc02001
4	2101-1019	15	DIN 933 - M6X12 - 8.8 A3A	epc02001
5	4401-3400	1	Lever	epc02001
6	2201-4847	1	DIN 471 A17x1 A2	epc02001
7	2301-9003	1	Woodruff key DIN 6888 5x6.5 St	epc02001
8	3801-3396	1	Dummy switch	epc02001
9	2601-1082	3	Micro switch	epc02001
10	2101-2050	4	Screw M3X25 DIN 84 - A2	epc02001
11	3701-3242	1	Pulley	epc02001
12	2101-3037	2	DIN 916 - M6X12 - 45H -A3A	epc02001
13	3501-3464	1	Bracket	epc02001
14	2101-3114	1	DIN 913 - M6X16 - 45H A3A	epc02001
15	2101-7008	2	Nut DIN 934 - M6 - 5 A3A	epc02001
16	2101-8020	7	Washer A 8.4 DIN 125 - RVS A2	epc02001
17	3201-6064	2	Ring	epc02001
18	3301-4219	1	Washer	epc02001
19	4301-3448	1	Pulley assy	epc02001
20	2101-1094	1	DIN 931 - M8X35 - 8.8 - E3E	epc02001
21	2101-9119	1	Lockwasher 8.4 DIN 6798A - PHR	epc02001
22	2101-7009	2	Nut DIN 934 - M8 - 5 A3A	epc02001
23	4101-3632	1	DC Motor	epc02001
24	2101-9118	6	Lockwasher A6.4 DIN 6798 - phr	epc02001
25	3301-3897	1	Pulley	epc02001
26	2101-3107	1	DIN 916 - M4X6 - 45H	epc02001
27	3501-3465	1	Mounting plate	epc02001
28	2101-1022	1	DIN 933 - M6X16 - 8.8 A3A	epc02001
29	3201-3277	1	Spring	epc02001
30	4301-3446	1	Pulley	epc02001
31	2101-9109	1	Lockwasher 10.5 DIN 6798A - A3A	epc02001
32	2101-7044	1	Nut DIN 934 - M10 - E3E	epc02001
33	3201-6083	2	Washer 6.4x14x1.2 A2	epc02001
34	2301-5209	2	V-belt 5M-450	epc02001
35	2301-5210	1	V-belt 5M-730	epc02001
36	2301-5211	1	V-belt 7M-100	epc02001
37	4301-3444	1	Bearing housing	epc02001
38	3201-6101	2	Ring	epc02001
39	3701-3362	1	Lever	epc02001
40	3301-3893	1	Shaft	epc02001
41	4301-3442	1	Piston rod short assy	epc02001
42	3301-3942	4	Ring	epc02001
43	2101-1077	3	DIN 933 - M8X25 - 8.8 A3A	epc02001

DEKO Holland.



Exploded view: Powerstroke
Concern code: 4601 - 0146 - 00



DEKO Holland.



Exploded view: Powerstroke
Concern code: 4601 - 0146 - 00

Pos	Part no.	Qty	Description	As of serialno
44	4301-3441	1	Piston rod assy	epc02001
45	3401-3832	1	Cover plate	epc02001
46	2101-9116	4	Lockwasher J5.3 DIN 6798A - PHR	epc02001
47	2101-1103	4	DIN 933 - M5X16 - 8.8 A3A	epc02001
48	2133-0320	2	DIN 933 - M5X20 - RVS A2	epc02001
49	3401-4219	1	Support plate	epc02001
50	2601-2010	1	Relays	epc02001
51	2601-6630	2	Faston 6.3 x 0.8	epc02001
52	2601-6632	2	Isolation cup	epc02001
53	2101-7613	2	Nut DIN 985 - M5 inox A2	epc02001
54	2101-2077	2	Screw M4X10 DIN 85 - INOX A2	epc02001
55	2101-8556	4	Washer DIN 127 - A 4 - RVS A2	epc02001
56	2101-7052	2	Nut DIN 934 - M4 - A2	epc02001
57	4401-3135	1	Cover plate	epc02001
58	3201-6084	2	Washer 5.3x12x1.5 A2	epc02001
59	3301-3905	3	Spacer bush	epc02001
60	4101-3936	1	Transformer group 230V 50Hz	epc02001
61	2101-8515	3	Washer DIN127 B6	epc02001
62	2101-1083	3	Screw M6x35 DIN 933 8.8 A3A	epc02001
63	3401-4226	1	Cover	epc02001
64	2101-1010	2	M4x8 DIN933 A3A	epc02001
65	4101-3932	1	Relays cable	epc02001
66	4101-3821	1	Harnessing	epc02001
67	3301-4599	4	Extension leg	epc02001
68	3401-3776	4	Cap	epc02001
69	3801-3138	4	Rubber feet	epc02001
70	2101-1080	4	M8x12 DIN933 A2	epc02001
71	4101-3941	1	Loom interleaver	epc02001
72	4101-3931	1	Loom off	epc02001
73	4401-3245	1	Housing	epc02001



Exploded view: Powerstroke

Concern code: 4601 - 0146 - 00

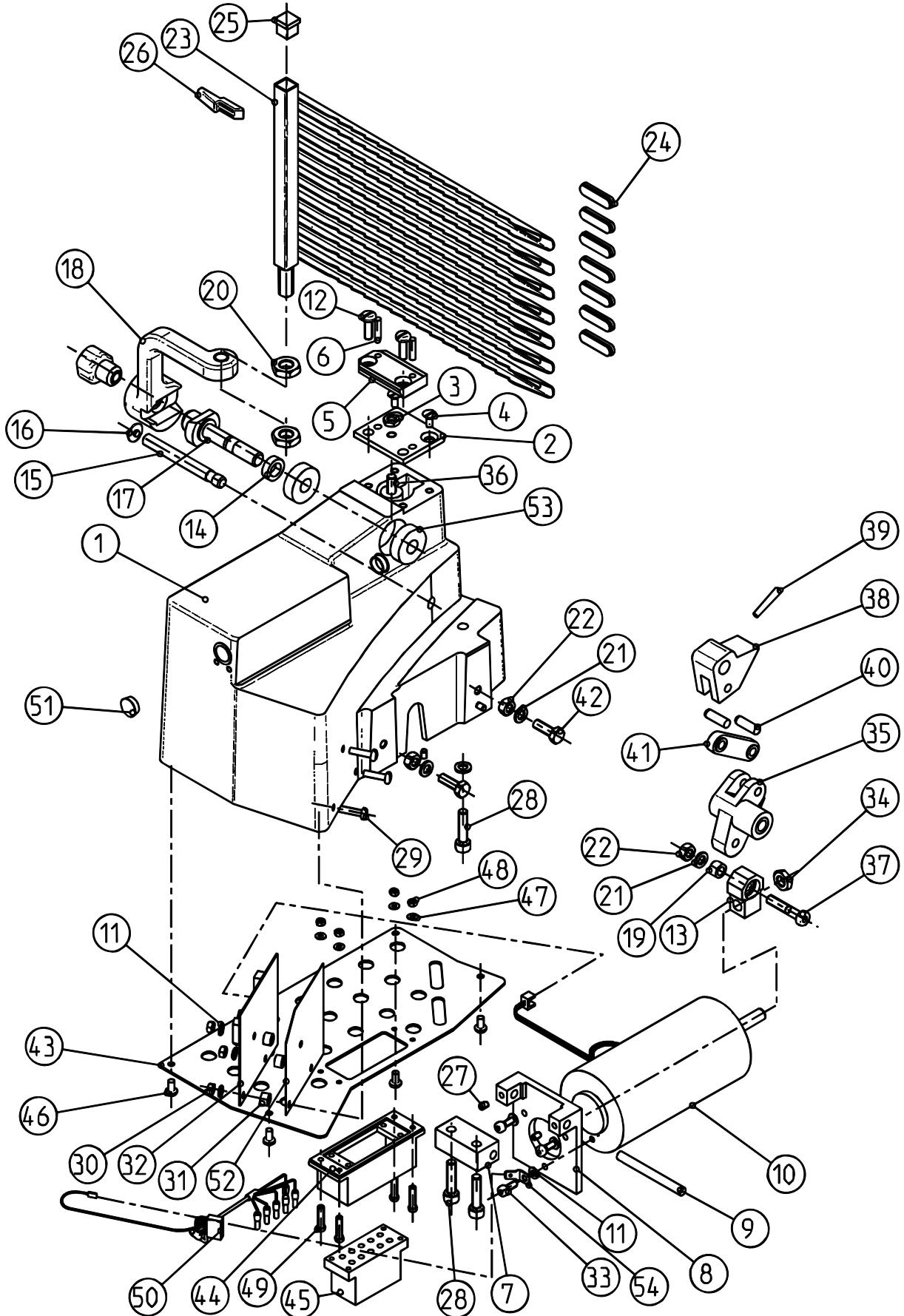
Pos	Part no.	Qty	Description	As of serialno
48	2101-3037	1	Set screw M6x12 Din 91645	8460
49	3701-3242	1	Pulley	8460
50	3401-3832	1	Cover plate	8460
51	4401-3245	1	Housing	8460
52	3401-4226	1	Cover	8460
53	3201-6083	6	Washer 6,4x14x1,2	8460
54	3801-3141	1	Cap	8460
55	3501-3465	1	Mounting plate	8460
56	4401-3248	1	Bottom plate	9574
57	2201-4847	1	Retaining ring 20x1,2 DIN 471	8460
58	4101-3632	1	DC motor	8460
59	2601-6568	2	Carbon brush	8460
60	4301-3629	1	Bush	8460
61	2601-1082	2	Micro switch	8460
62	2101-2050	2	Screw M3x25 DIN 84	8460
63	2301-9003	1	Key 5x6,5 DIN 6888	8460
64	3701-3361	1	Lever	8460
65	3701-3362	1	Lever	8460
66	2101-8020	3	Washer 8,4 DIN 125	8460
67	4301-3451	1	Rod head left handed	8460
68	3301-3942	6	Ring	8460
69	3201-6080	1	Nut M6 left DIN 934	8460
70	2101-1077	3	Hex bolt M8x25 DIN 933	8460
71	4301-3442	1	Piston rod short assy (incl. pos.72)	8460
72	3301-3910	1	Piston rod short	8460
73	2101-1024	1	Hex bolt M8x20 DIN 933	8460
74	4301-3450	3	Rod head (right handed)	8460
75	4301-3441	1	Piston rod assy (incl. pos 76)	8460
76	3301-3909	1	Piston rod	8460
77	3201-6101	2	Ring	8460
78	2101-3037	1	Hex socket screw M6x12 DIN 916	8460
79	3301-3893	1	Shaft	8460
80	4301-3444	1	Bearing housing	8460
81	3301-3905	3	Spacer bush	8460
82	3401-4219	1	Support plate, 110V and 400V only (10724/400V)	
83	2101-2108	2	Screw M4x6 DIN 85	8460
84	2101-7613	2	Lock nut, 110V and 400V only (10724/400V)	
85	2601-2010	1	Relays, 110V only	--
86	2601-6632	1	Isolation cup, 110V only	--
87	2601-6630	1	Faston 6,3x0,8 110V only	--
88	4101-3807	1	Relays cable, 110V only	--
89	3301-4219	1	Washer	8460
90	3301-3906	4	Special nut	8460
91	2101-8515	6	Washer B6 DIN127 RVS A2	9574

DEKO Holland.



Exploded view: Receiving tray / Solenoid housing

Concern code: 4601 - 0147 - 00



DEKO Holland.



Exploded view: Solenoid housing

Concern code: 4601 - 0147 - 00

Pos	Part no.	Qty	Description	As of serial no
1	4301-3877	1	Solenoid assy	epc02001
2	3401-3861	1	Lockingplate	epc02001
3	2101-7043	1	Nut DIN 439 - B M6 - E3E	epc02001
4	3201-6251	2	DIN 963 - M5X10 - RVS A2	epc02001
5	3501-3479	1	Dovetail	epc02001
6	2201-3016	2	Pin DIN 1474 - 4X16 - A2	epc02001
7	3501-3443	1	Hinge	epc02001
8	4401-3125	1	Solenoid head assy	epc02001
9	3301-3835	1	Hinge shaft	epc02001
10	4301-3424	1	Solenoid head	epc02001
11	2101-9115	6	Lockwasher J4.3 DIN 6798 - A3A	epc02001
12	2101-208	2	Screw M5X16 DIN 85 - INOX A2	epc02001
13	4301-3423	1	Coupling piece	epc02001
14	3301-3843	1	Bush	epc02001
15	3301-3836	1	Levershaft	epc02001
16	3801-3171	1	Closing cap	epc02001
17	3301-3851	1	Stackerhand shaft	epc02001
18	4301-3427	1	Fingerholder assy	epc02001
19	3301-3858	1	Bush	epc02001
20	2101-7051	2	Nut DIN 439 - B M10X1 - A2	epc02001
21	2101-9118	6	Lockwasher A6.4 DIN 6798 - phr	epc02001
22	2101-7048	3	Nut DIN 934 - M6 - 5 E3E	epc02001
23	4401-3126	1	Stackerhand	epc02001
24	3801-3169	7	Shock absorber	epc02001
25	3801-3160	1	Endpiece	epc02001
26	3801-3173	1	Detention piece	epc02001
27	2101-3113	3	DIN 916 - M4X6 - RVS A2	epc02001
28	2101-3133	3	DIN 912 - M6X25 - 12.9 A3A	epc02001
29	2101-2068	3	Screw M4X16 DIN 85 - INOX A2	epc02001
30	2101-7052	3	Nut DIN 934 - M4 - A2	epc02001
31	3801-3140	3	Distance bush	epc02001
32	4101-3927	1	Interconnection board	epc02001
33	2101-3261	3	DIN 912 - M4X10 - RVS A2	epc02001
34	2101-7046	1	Nut DIN 439 - A M8 - A2	epc02001
35	4301-3422	1	Knee-lever	epc02001
36	3801-3210	1	Detention pin	epc02001
37	2101-3157	1	DIN 7984 - M6X30 - RVS A3A	epc02001
38	3701-3225	1	Lever	epc02001
39	2201-0600	1	Taper pin	epc02001
40	2201-0044	2	Pin	epc02001
41	4301-3411	1	Lever assy	epc02001

DEKO Holland.



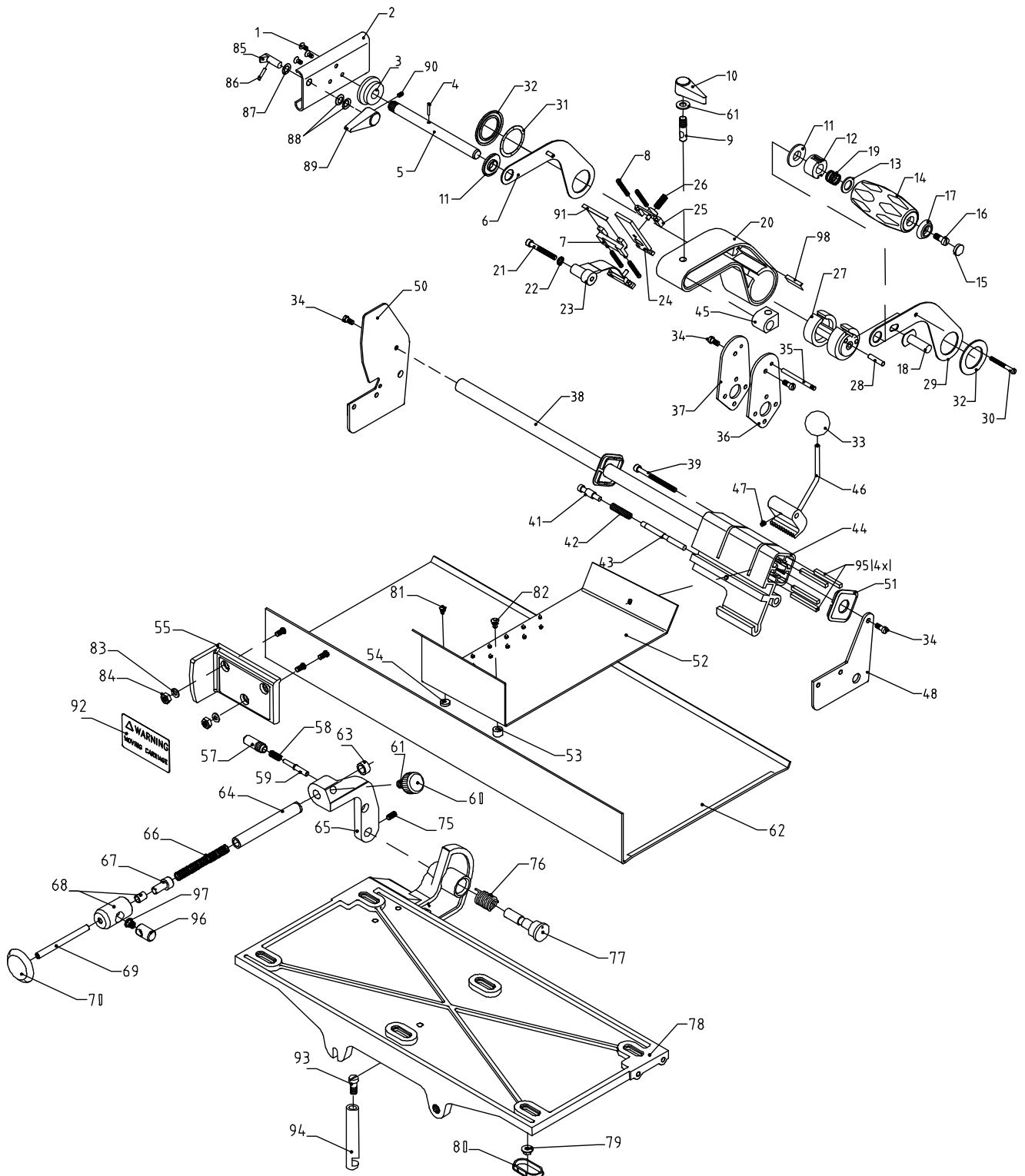
Exploded view: Solenoid housing
Concern code: 4601 - 0147 - 00

Pos	Part no.	Qty	Description	As of serial no
42	2101-1006	2	DIN 933 - M6X18 - RVS A3A	epc02001
43	3401-4570	1	Cover plate	epc02001
44	2601-7532	1	Bulkhead mounting	epc02001
45	2601-5091	1	Screw term. female HAN10A10FSCH	epc02001
46	2101-2080	4	Screw M4X8 DIN 85 - INOX A2	epc02001
47	2101-8076	4	Washer A 3.2 DIN 125 - RVS A2	epc02001
48	2101-7045	4	Nut DIN 934 - M3 - A2	epc02001
49	2101-2157	4	Screw M3X16 DIN 84 - A2	epc02001
50	4101-3942	1	Steppermotor loom	epc02001
51	3801-3298	2	Closing cap	epc02001
52	3501-3500	1	Insulation plate	epc02001
53	2301-7024	2	Ball bearing	epc02001
54	2601-5042	1	Earth clamp	

DEKO Holland.



Exploded view: Meat table long
Concern code: 4601 - 0061 - 03



DEKO Holland.



Exploded view: Meat table long
Concern code: 4601 - 0061 - 03

Pos	Part no.	Qty	Description	As of serialno
1	2101-4044	3	M4x6 DIN963 RVS	8460
2	3401-4189	1	Clamb holder	9213
3	3301-4319	1	Mounting ring	8460
4	2201-0027	1	M6x16 DIN7 RVS A2	8460
5	3301-4320	1	Shaft	8460
6	4401-3299	1	Left clamb plate	8460
7	3801-3301	1	Springholder	8460
8	3201-3327	4	Spring	8460
9	3301-4348	1	Command pin	8460
10	3701-3387	1	Knob	8460
11	3801-3302	2	Special ring	8460
12	3801-3156	1	Handle bearing	8460
13	2101-8100	1	Washer 13 DIN433 St A3A	8460
14	3801-3182	1	Handle	8460
15	3801-3298	1	Closing cap	8460
16	2101-2074	1	M6x12 DIN84 RVS	8460
17	3301-4325	1	Ring	8460
18	3301-4335	1	Handle	8460
19	3201-3263	1	Spring	8460
20	3501-3698	1	Arm	8460
21	2101-3167	1	M5x40 DIN912	8460
22	2101-9116	1	Lockwasher J5,3 DIN6798	8460
23	3801-3281	1	Unlocking device	8460
24	3501-3703	1	Locking strip	8460
25	3801-3294	1	Springholder	8460
26	3201-3328	1	Spring	8460
27	4401-3409	1	Clamb shaft	10683
28	2201-3733	1	Spring dowel DIN7343 - A2 4x45	8460
29	3401-4194	1	Right clamb plate	8460
30	2101-2107	1	M4x35 DIN85 RVS	8460
31	2101-9225	1	Spring G 6303 A 39.1x33x0.3	8460
32	3801-3303	2	Special ring	8460
33	2201-8000	1	Knob	8460
34	2101-2082	8	M5x10 DIN85 RVS	8460
35	3301-4318	1	Blocking pin	8460
36	3401-4572	1	Clamb plate with tapped holes	10683
37	3401-4571	1	Clamb plate	10683
38	3301-4297	1	Guide shaft	8460
39	2101-3171	4	M5x60 DIN912	8460
40	--			
41	3301-4305	1	Shaft	8460
42	3201-3325	1	Spring	8460

DEKO Holland.



Exploded view: Meat table long
Concern code: 4601 - 0061 - 03

Pos	Part no.	Qty	Description	As of serialn0
43	3301-4306	1	Shaft	8460
44	4401-3311	1	Guide block	8460
45	3501-3721A	1	Clamb block	8460
46	3801-3287	1	Split nut with handle	8460
47	2101-3013	1	Set screw M4x5 DIN916	8460
48	3401-4180	1	Support plate	8460
49	--			10388
50	3401-4556	1	Protection shield	10388
51	3801-3300	2	Closing cap	8460
52	4401-3303	1	Pin plate	8460
53	3801-3292	1	Guide knob	8460
54	3801-3293	1	Guide knob	8460
55	3801-3384	1	Thumb guard	8460
56	---			8460
57	3301-4328	1	Spring bushing	8460
58	3201-3279	1	Spring	8460
59	3301-4222	1	Latch	8460
60	3301-4349	1	Knob	8460
61	3801-3148	1	Pivot	10388
62	4301-3808	1	Table blade	8460
	4301-3860	1	Table blade teflon coated	
63	3301-4580	1	Closing cap	10388
64	3301-4584	1	Tube product fence	10388
65	3501-3807	1	Hinge piece	10388
66	3201-3371	1	Spring	10388
67	3301-4603	1	Special screw	10800
68	4301-3878	1	Support bushing compl.	10638
69	3301-4582	1	Shaft	10800
70	3401-4555A	1	Disk	10388
75	2101-3174	1	Set screw M5x10 DIN916 RVS	8460
76	3201-3287	1	Spring	8460
77	3301-4583	1	Tension pin	10388
78	3701-3385	1	Table	8460
79	2101-7613	4	Self locking nut	8460
80	3801-3194	4	Closing hood	8460
81	2201-1011	1	Rivet	8460
82	2201-1010	1	Rivet	8460
83	2101-8054	3	4.3 DIN125 RVS	8460
84	2101-7052	3	M4 DIN934 RVS	8460

DEKO Holland.



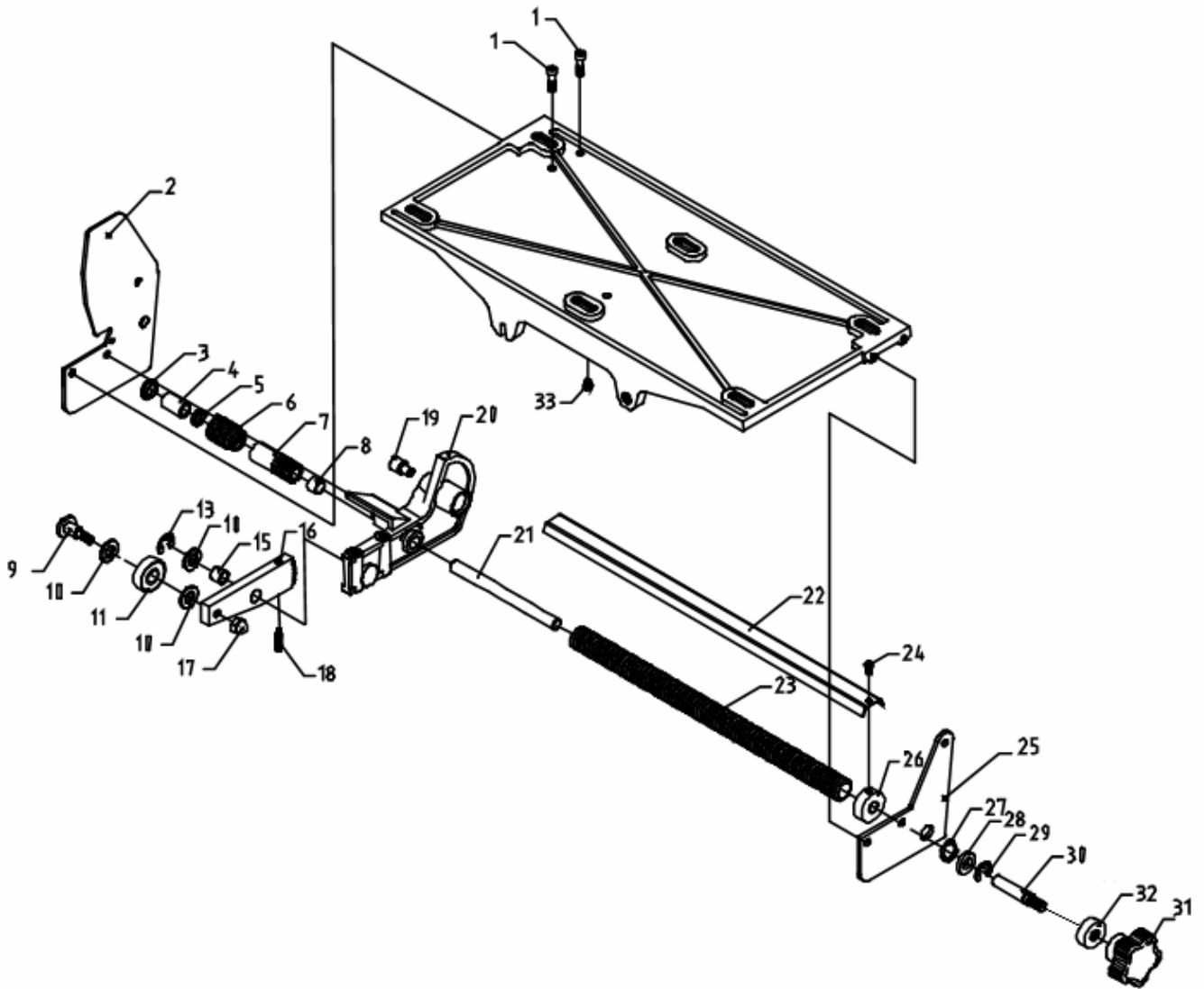
Exploded view: Meat table long
Concern code: 4601 - 0061 - 03

Pos	Part no.	Qty	Description	as of serialno
85	3701-3476	1	Locking device for clamp holder	9213
86	2201-3023	1	3x10 DIN1474 RVS	9213
87	3201-6064	1	Washer	9213
88	2101-9208	2	B16 DIN2093 GR.1 A3A	9213
89	3701-3499	1	Locking knob	11284
90	2101-3127	1	M6x6 DIN916 RVS	9213
91	3201-3364/3365	1	Fill plate	
92	3101-4039	1	Warning sticker (English)	
93	2101-1086	1	m6X16 DIN933 RVS	
94	3301-4388	1	Locking pin	
95	3401-4549	4	Felt 6x6x47 with:	9721
		0.02 ltr	Oil, Shell Cassida fluid GL460	9721
96	3301-4589A	1	Clamp shaft	10638
97	3201-3333	1	Coiled spring	10638
98	3201-3373	1	Fill strip for locking strip (pos 24)	10665
	4601-3825	1	Table with locking pin (pos. 78, 93 and 94)	
	4601-3875	1	Product fence complete (pos. 57 up to and 61, 63 up to and 70, 75 up to and 77)	10388
	4601-3877	1	Disk incl. tube product fence (pos. 63, 64, 66 up to and 70, 96 and 97)	10638

DEKO Holland.



Exploded view: Meat table long
Concern code: 4601 - 0059 - 01



DEKO Holland.



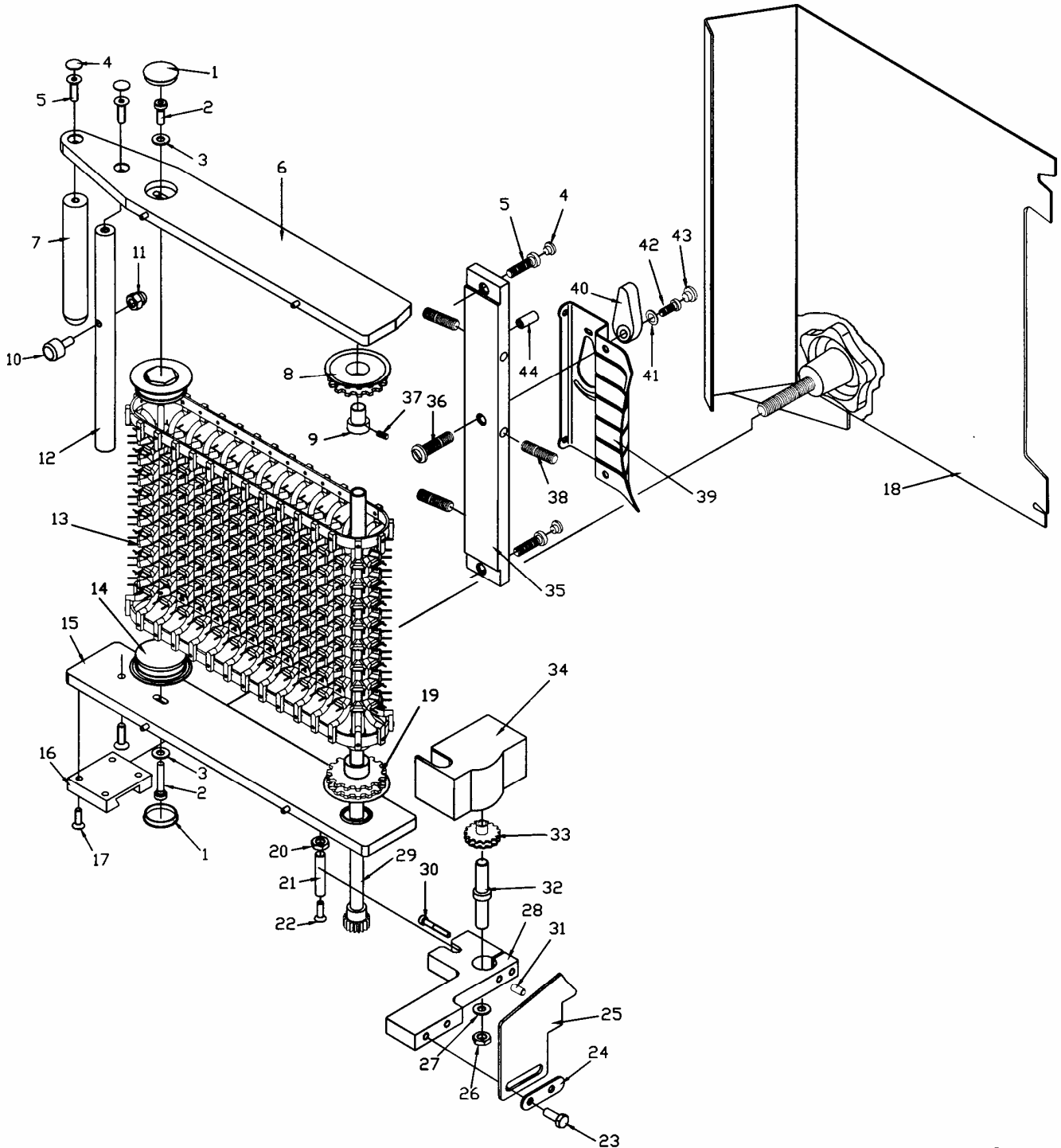
Exploded view: Meat table long
Concern code: 4601 - 0059 - 01

Pos	Part no.	Qty	Description	As of serialno
1	2101-3260	2	M5x16 DIN7984 RVS A2	8460
2			See 4601-0061 pos. 50	10422
3	3801-3291	1	Closing hood	8460
4	2301-7027	1	Bearing bushing	8460
5	2201-4861	1	Sealring	8460
6	3201-3326	1	Spring	8460
7	3301-4316	1	Coq wheel	8460
--	4301-3721	1	Coq wheel assy incl. pos 4, 5, 7	8460
8	2301-8003	1	Bushing glacier MB1010DU	8460
9	3301-4315	1	Spindle for wheel	8460
10	3801-3290	3	Washer	8460
11	2301-7019	1	Bearing 6200-LLU	8460
13	2201-4836	1	Security ring 9 DIN6799	8460
15	2301-8003	1	Bushing glacier MB1010DU	8460
16	3501-3702	1	Lever	8460
17	2101-7402	1	Nut	8460
18	2101-3165	1	Set screw M5x20 DIN915 RVS	8460
19	3801-3210	1	Buffer	8460
20	3801-3280	1	Frame	8460
21	3301-4312	1	Shaft	8460
--	4301-3714	1	Threaded rod assy incl. pos. 21, 23, 30	8460
22	3401-4182	1	Threaded rod cover	8460
23	3301-4310	1	Threaded rod	8460
24	2101-2108	1	M4x6 DIN85	8460
25	--		See 4601-0061 pos. 48	8460
26	3801-3289	1	Bearing	8460
27	2101-9224	1	washer	8460
28	3301-4313	1	Position ring	8460
29	2201-4836	1	Security ring 9 DIN6799	8460
30	3301-4311	1	Shaft	8460
31	3201-4123	1	Knob	8460
32	3801-3311	1	Spacer bushing	8460

DEKO Holland.



Exploded view: Transporter
Concern code: 4601 - 0068 - 03



DEKO Holland.



Exploded view: Transporter
Concern code: 4601 - 0068 - 03

Pos	Part no.	Qty	Description	As of serialno
1	3833-5005	2	Closing cap	
2	2101-3152	2	Screw M6x16 DIN7984 RVS	
3	3201-6083	2	Washer 6,4 x 14 x 1,2 RVS	
4	3801-3171	4	Cover cap	
5	2101-4054	5	Countersunk screw M6x20 DIN7991 RVS	
6	4301-3416	1	Top plate (incl stainless steel bearings)	10401
7	3301-3845	1	Handle	
8	3301-3838	2	Pulley	
9	3301-3840	2	Adjusting bush	
10	3801-3208	1	Stop pin	
11	2101-7402	1	Cap nut M6 DIN1587 RVS	
12	3301-3844	1	Space pilar	
13	4301-3418	1	Conveyor belt	
14	4301-3659	2	Pulley (incl stainless steel bearings)	10401
15	4301-3415	1	Bottom plate (incl stainless steel bearings)	10401
16	3301-3862	1	Dovetail holder	
17	2101-4053	4	Countersunk screw M5x16 DIN7991 RVS	
18	4301-3820	1	Safety guard transporter CE only	
19	4301-3488	2	Pulley assy (pos. nr. 8, 9, 37)	
20	2101-7046	1	Nut M8 DIN439 RVS	
21	3301-3859	1	Pin	
22	3801-3148	1	Pivot	
23	2101-1086	2	Pan head screw M6x16 DIN933 RVS	
24	3401-3822	1	Coverplate	
25	3401-4530	1	Tacker	
26	2101-7048	1	Nut M6 DIN934 E3E	
27	3201-6083	1	Washer 6,4 x 14 x 1,2 RVS	
28	3501-3455A	1	Support plate	
29	4301-3413	1	Driving shaft assy	
30	2101-3040	1	Hex socket screw M6x40 DIN912 A3A	
31	2101-3121	1	Hex set screw M6x6 DIN914 RVS	
32	3301-3860	1	Cog wheel pin	
33	3801-3199	1	Cog wheel	
34	3801-3174	1	Cover cap	
35	3501-3445	1	Connection plate	
36	3301-3848	1	Knob shaft	
37	2101-3113	4	Hex set screw M6x4 DIN916 RVS	
38	2101-3109	3	Set screw M6x30 DIN551 RVS	
39	3401-3812A	1	Catch plate	
	3401-4065A	1	Catch plate Austria	
40	3801-3196	1	Catch plate clamping lever	
41	2101-8103	1	Washer 6,4 DIN433 RVS A2	10742

DEKO Holland.



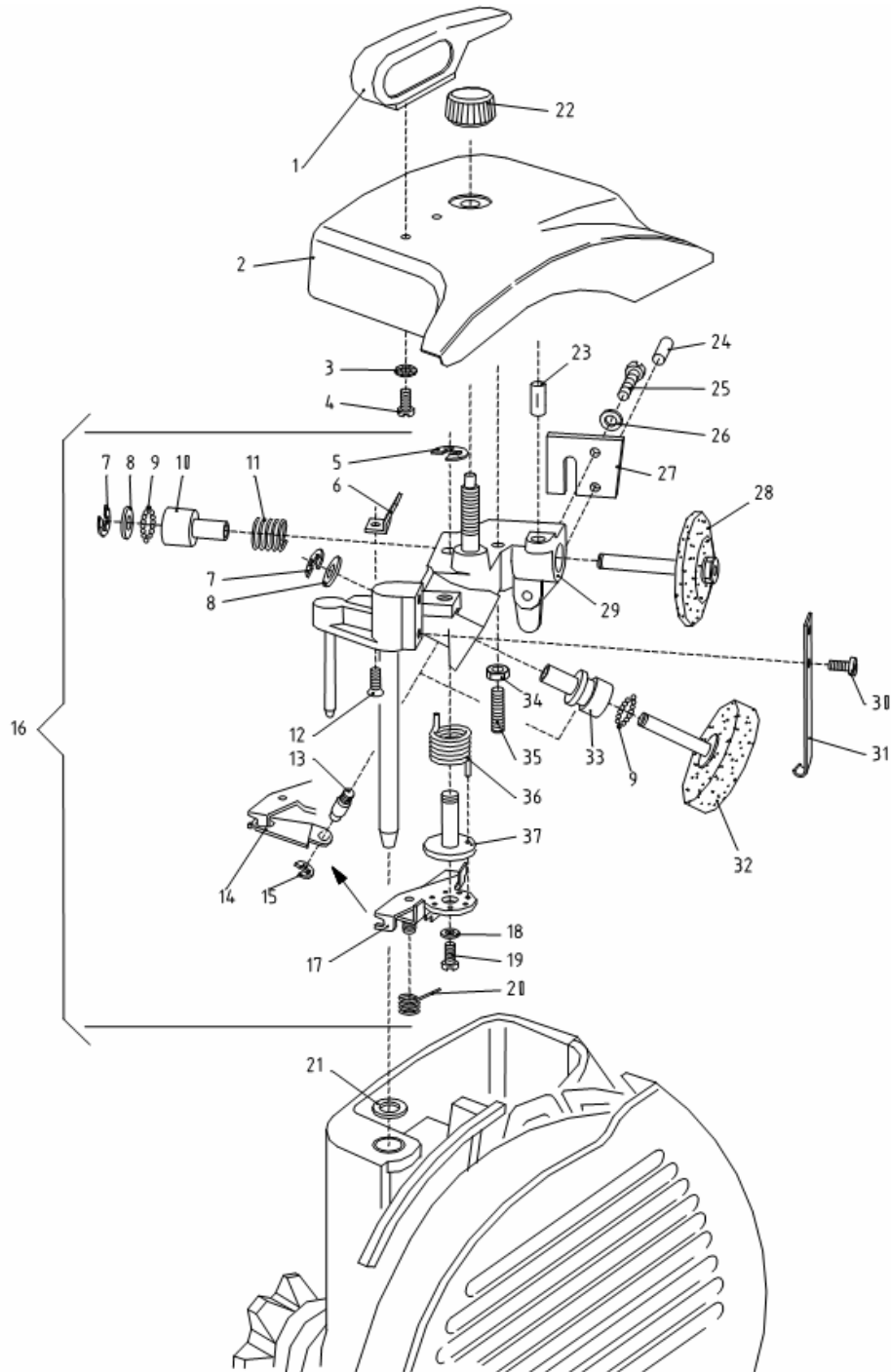
Exploded view: Transporter
Concern code: 4601 - 0068 - 03

Pos	Part no.	Qty	Description	As of serialno
42	2101-2108	1	Screw M4x6 DIN85 RVS	
43	3833-5032	1	Cover cap	
44	2201-3016	1	Grooved pin 4x16 DIN1474 RVS A2	
--	4301-3487	1	Transporter complete (pos.nr 1 up to 22 and 29, 35 up to and 44, with exception of 39 cover plate)	

DEKO Holland.



Exploded view: Sharpener
Concern code: 4601 - 0048 - 03



DEKO Holland.



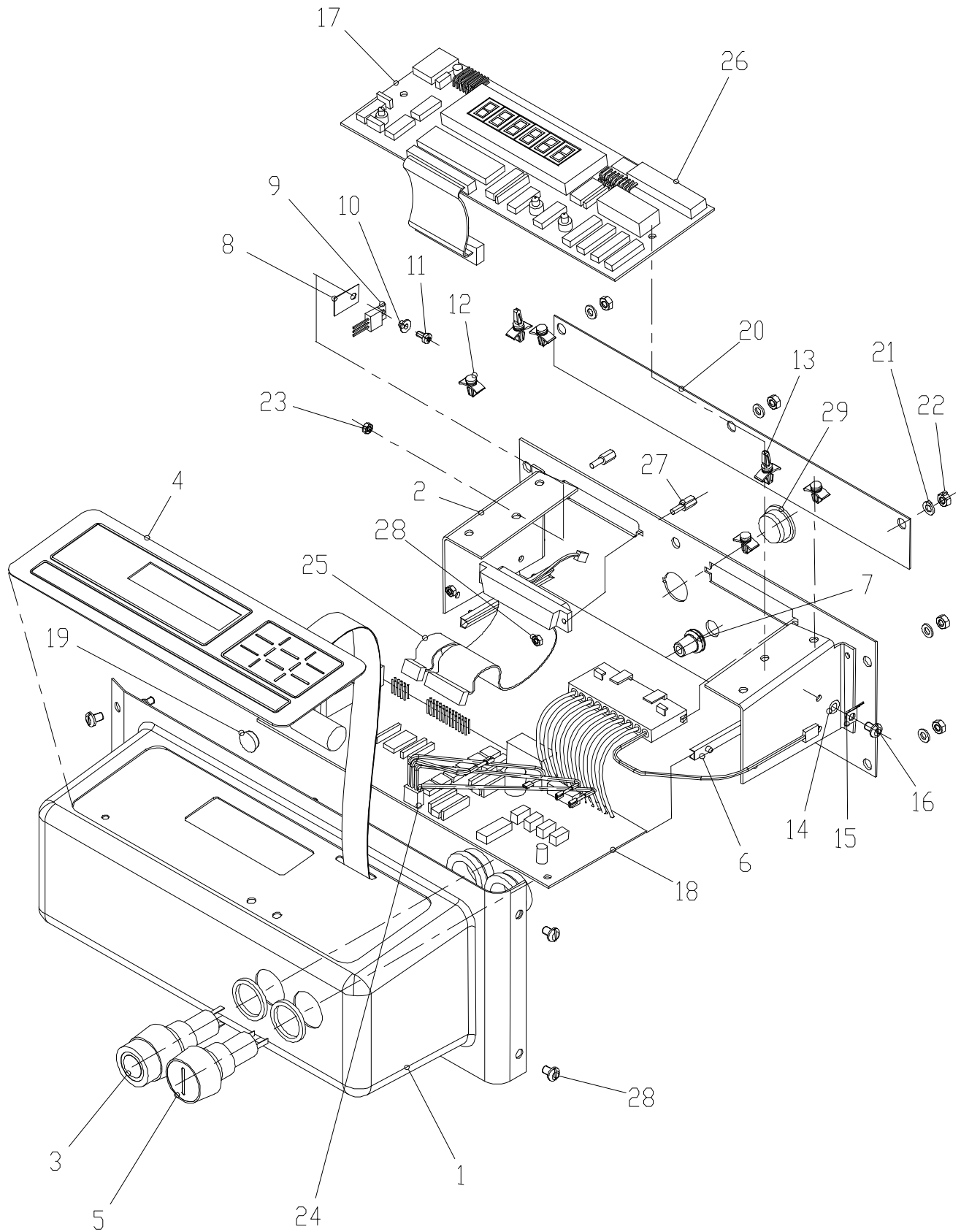
Exploded view: Sharpener
Concern code: 4601 - 0048 - 03

Pos	Part no.	Qty	Description	As of Serialno
1	4301-3403	1	Grip with Berkel name plate	622409
2	3701-3481	1	Sharpener cover	628261
3	2101-9115	2	Lockwasher J4,3 DIN6798	622409
4	2101-2065	2	Pan head screw M4x12 DIN85	622409
5	2201-4837	1	Circlip 7 DIN6799 A3A622409	
6	3401-3805	1	Bracket	622409
7	2201-4805	2	Circlip 5 DIN6799 A3A622409	
8	3301-3812	2	Collar	622409
9	2301-7020	18	Steel ball 1/8"	622409
10	3301-3810	1	Spindle bearing	622409
11	3201-3270	1	Spring	622409
12	2101-4035	1	Counter sunk screw M4x8 DIN963 RVS	622409
13	3301-3813	1	Link screw	622409
14	3401-4241	1	Link	622409
15	2201-4842	1	Circlip 3,2 DIN6799 RVS	622409
16	4601-3504	1	Sharpener complete, pos. nrs. 5 up to and 20 and 25 up and 37	622409
17	4401-3124	1	Sharpener lever	622409
18	2101-8051	1	Washer A4,3 DIN125	622409
19	2101-2108	1	Pan head screw M4x6 DIN85 RVS	622409
20	3201-3275	1	Torsion spring	622409
21	3201-6095	1	Felt washer	622409
22	3301-4246	1	Knob	632811
23	2201-3016	2	Grooved pin 4x16 DIN1474 E3E	622409
24	2201-0028	1	Cylinder pin 3m6x6 DIN7 E3E	622409
25	2101-2082	1	Pan head screw M5x10 DIN85 RVS	622409
26	2101-9218	1	Disc spring 12x5,2x0,8 DIN2093	622409
27	3401-3802	1	Adjusting plate	622409
28	4301-3405	1	Deburring stone with shaft	622409
29	3701-3212	1	Sharpener frame	622409
30	2101-2080	2	Pan head screw M4x8 DIN85 RVS	622409
31	3201-3272	1	Flat spring	622409
32	4301-3404	1	Sharpening stone with shaft	622409
33	3301-3810	1	Spindle bearing	622409
34	2101-7068	1	Nut M5 DIN934	622409
35	2101-3175	1	Screw M5x25 DIN551 E3E	622409
36	3201-3271	1	Torsion spring	622409
37	3301-3816	1	Sharpener lever spindle	622409
38	4601-3716	1	Sharpener assembly, pos.nrs: 16 and 1 up to and 4,21 up to and 2	622409

DEKO Holland.



Exploded view: Bezel
Concern code: 4601 - 3611 - 03



DEKO Holland.



Exploded view: Bezel

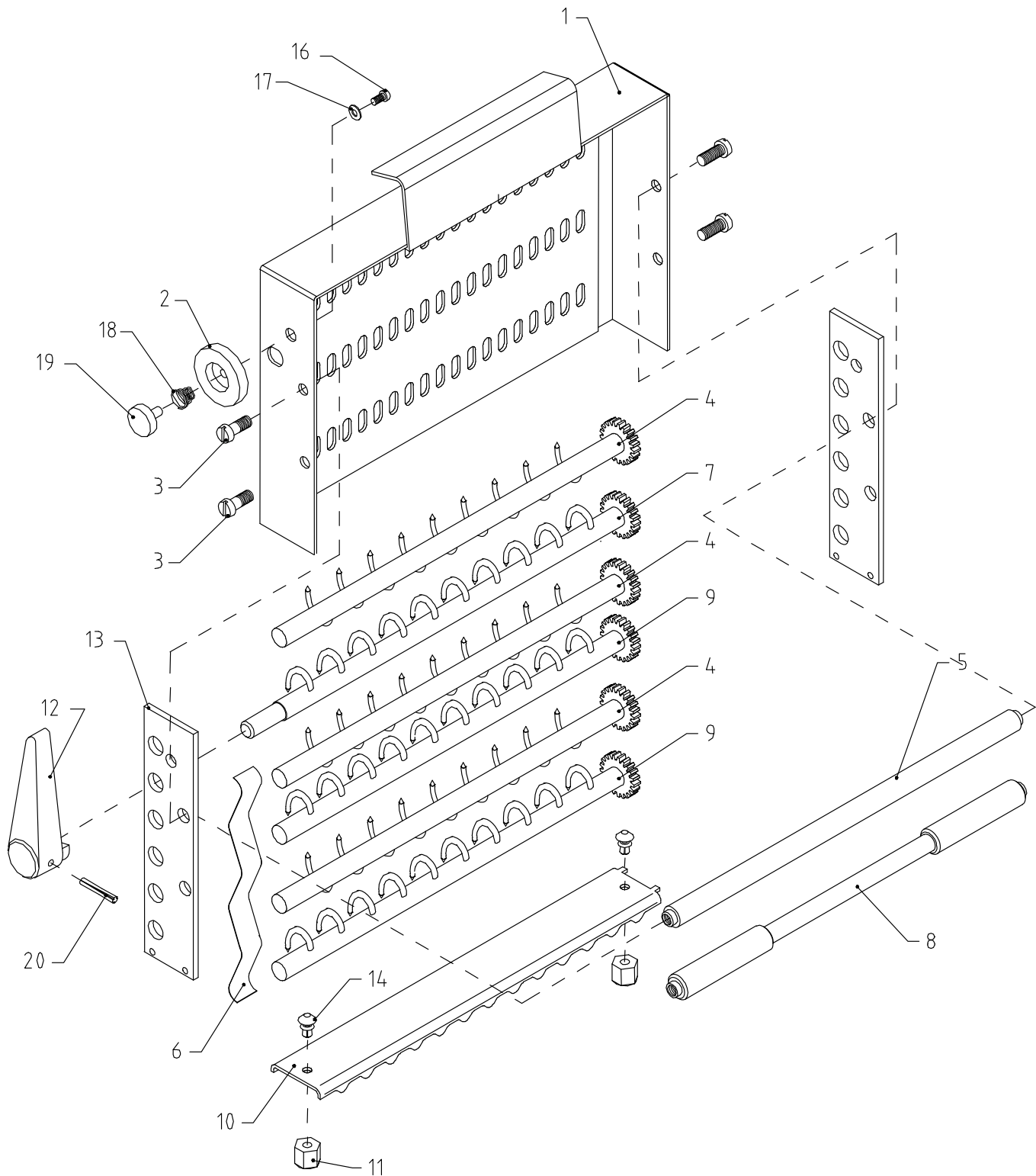
Concern code: 4601 - 3611 - 03

Pos	Part no.	Qty	Description	As of Serialno
1	4401-3246	1	Bezel	8460
2	4301-3609	1	Mounting plate complete	10740
3	2601-1084	1	Off switch (red button)	8460
4	4101-3492	1	Keyboard Stacker	8460
5	2601-1083	1	On swich (green button)	8460
6	3820-0951	2	Printed circuit board rail	8460
7	2201-9059	1	Grommet	8460
8	3501-3405	1	Insulation plate	8460
9	4101-3608	1	Voltage regulator 5 Volt	8460
10	2701-3031	1	Instulation ring	8460
11	2101-2029	1	Screw M3x6 DIN7985	8460
12	2201-9056	4	Spacer	8460
13	2201-9057	2	Spacer	8460
14	2101-9103	1	Lockwasher A4.3 DIN6798 A3A	8460
15	2601-5042	1	Earth clamp	8460
16	2101-2075	1	Screw M4x6 DIN85 Brass	8460
17	4101-3620	1	CPU board	8460
18	4101-3851	1	Powerstroke board complete	8460
19	2201-9024	2	Bumpon	8460
20	3401-4058	1	Rear plate	8460
21	2101-9115	6	Lockwasher J4.3 DIN6798 A3A	8460
22	2101-7052	6	Nut M4 DIN934 RVS A2	8460
23	2101-7619	1	Nut M3 DIN933 RVS A2	8460
24	4101-3384	1	Loom switch	8460
25	4101-3814	1	Flat cable 36 strands complete	8460
26	2901-0007	1	E-Prom (programmed stacker)	8460
27	2601-9000	2	Special screw	8460
28	2101-2108	4	Screw M4x6 DIN85 RVS A2	8460
29	2201-9111	1	Closing cap	10740
	4401-3247	1	Bezel with touchpanel complete pos. nrs: 13, 14, 18	

DEKO Holland.



Exploded view: Last slice device
Concern code: 4601 - 3697 - 01



DEKO Holland.



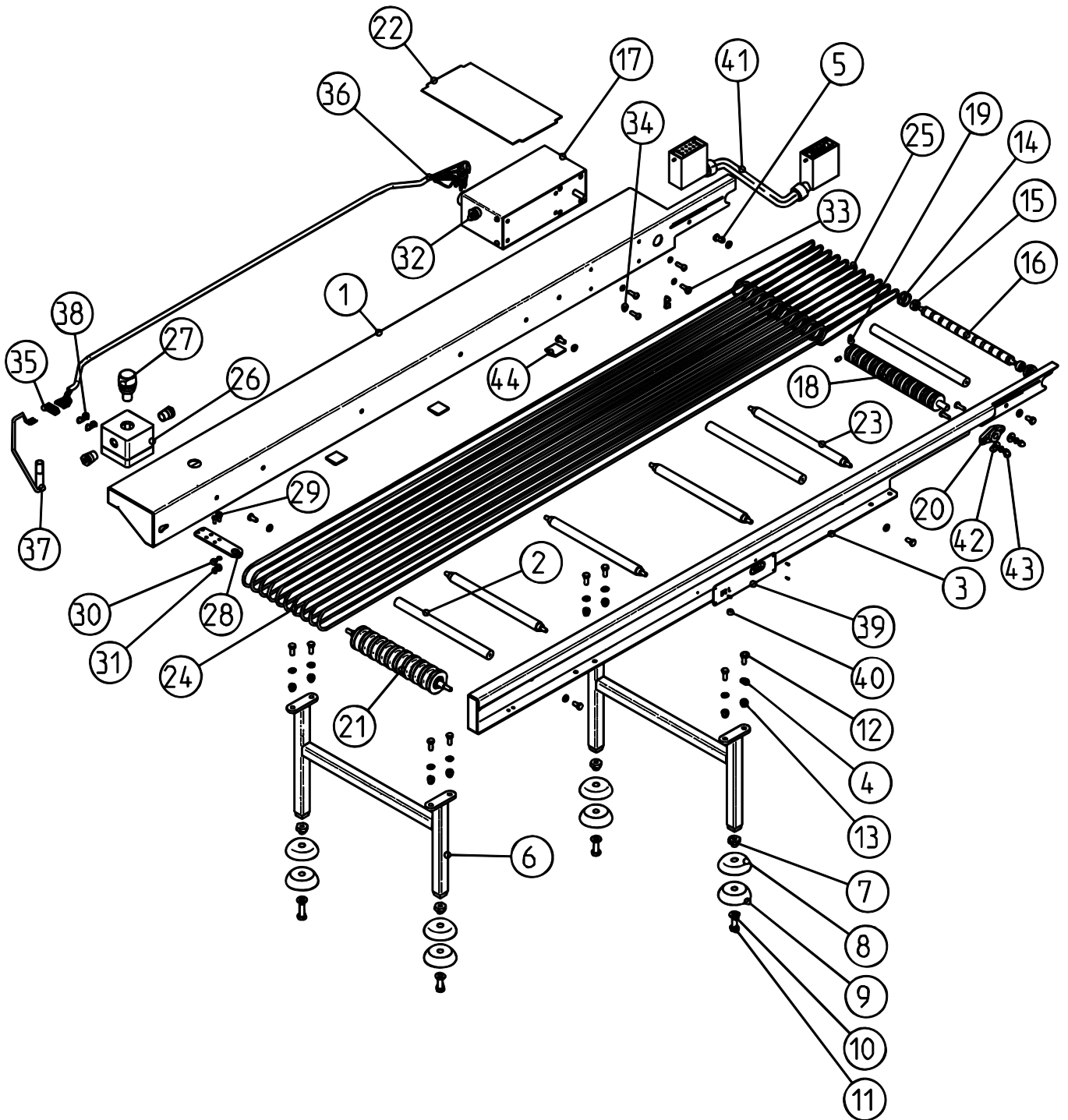
Exploded view: Last slice device
Concern code: 4601 - 3697 - 01

Pos	Part no.	Qty	Description	As of serialno
1	4401-3301	1	front plate	
2	3301-4364	1	washer	
3	2101-2082	4	M5x10 DIN85	
4	4301-3430	3	needle shaft	
5	3301-4542	1	clamb shaft	
6	3201-3283	1	flat spring	
7	4301-3851	1	needle shaft	
8	3301-4544	1	clamb shaft	
9	4301-3428	2	needle shaft	
10	3401-4197	1	clamb plate	
11	3801-3315	2	glide button	
12	3701-3490	1	handle	
13	3401-4535	2	gear plate	
14	2201-1010	2	rivet	
15	--			
16	2101-2109	1	M3x3 DIN84	
17	2101-8076	1	3 DIN125	
18	3201-3333	1	spring	
19	3301-4365	1	button	
20	2201-3007	1	3x20 DIN1471 E3E	

DEKO Holland.



Exploded view: Conveyor
Concern code: 4601 - 0145 - 01



DEKO Holland.



Exploded view: Conveyor

Concern code: 4601 - 0145 - 01

Pos	Part no.	Qty	Description	As of serialno
1	4401-3405	1	Assembly frame left	EPCL05001
2	3301-4598	3	Support shaft	EPCL05001
3	4401-3404	1	Assembly frame right	EPCL05001
4	2101-8550	14	Washer B6 DIN127 RVS A2	EPCL05001
5	2101-1032	6	M6x12 DIN933 RVS A2	EPCL05001
6	4401-3406	2	Leg	EPCL05001
7	3301-3906	4	Special nut	EPCL05001
8	3401-3776	4	Cap	EPCL05001
9	3801-3138	4	Rubber foot	EPCL05001
10	2101-8020	4	Washer A8,4 DIN125 RVS A2	EPCL05001
11	2101-1147	4		EPCL05001
12	2101-1086	8	M6x16 DIN933 RVS A2	EPCL05001
13	2101-7402	8	Nut M6 DIN1587 RVS	EPCL05001
14	3301-4597	2	Support front rol	EPCL05001
15	2301-8052	2	Radial bearing	EPCL05001
16	3301-4593	1	Front roller	EPCL05001
17	4401-3407	1	Assembly stepper motor box	EPCL05001
18	3301-4594	1	Drive roller	EPCL05001
19	2101-3174	2	M5x10 DIN916 RVS A2	ch772
20	2301-8053	1	Igubal	EPCL05001
21	4301-3876	1	Assembly end roller	EPCL05001
22	3401-4568	1	Deflector	EPCL05001
23	2301-0650	4	Roller	EPCL05001
24	3201-7023	10	Belt, round 4 mm	EPCL05001
25	3201-7022	11	Belt, round 3 mm	EPCL05001
26	4101-3933	1	Switch box complete	EPCL05001
27	2601-1119	1	Pause switch	EPCL05001
28	3401-4569	1	Support optic eye	EPCL05001
29	2101-2077	2	Screw M4x10 DIN85 RVS A2	EPCL05001
30	2101-8556	2	Washer A4 DIN127 RVS A2	EPCL05001
31	2101-7412	2	Nut M4 DIN1587 RVS A2	EPCL05001
32	2601-5087	2	Cable grommet	EPCL05001
33	2101-2088	6	Screw M5x16 DIN85 RVS A2	EPCL05001
34	2101-8553	6	Washer A5,5 DIN127 RVS A2	ch772
35	2601-5090	1	Connecting block	EPCL05001
36	4101-3928	1	Loom control box	EPCL05001
37	4101-3945	1	Sensor assembly	EPCL05001
38	4101-3929	3	Cable	EPCL05001
39	3101-4056	1	Identity plate conveyor	EPCL05001
40	2133-0346	4	Rivet	EPCL05001

DEKO Holland.



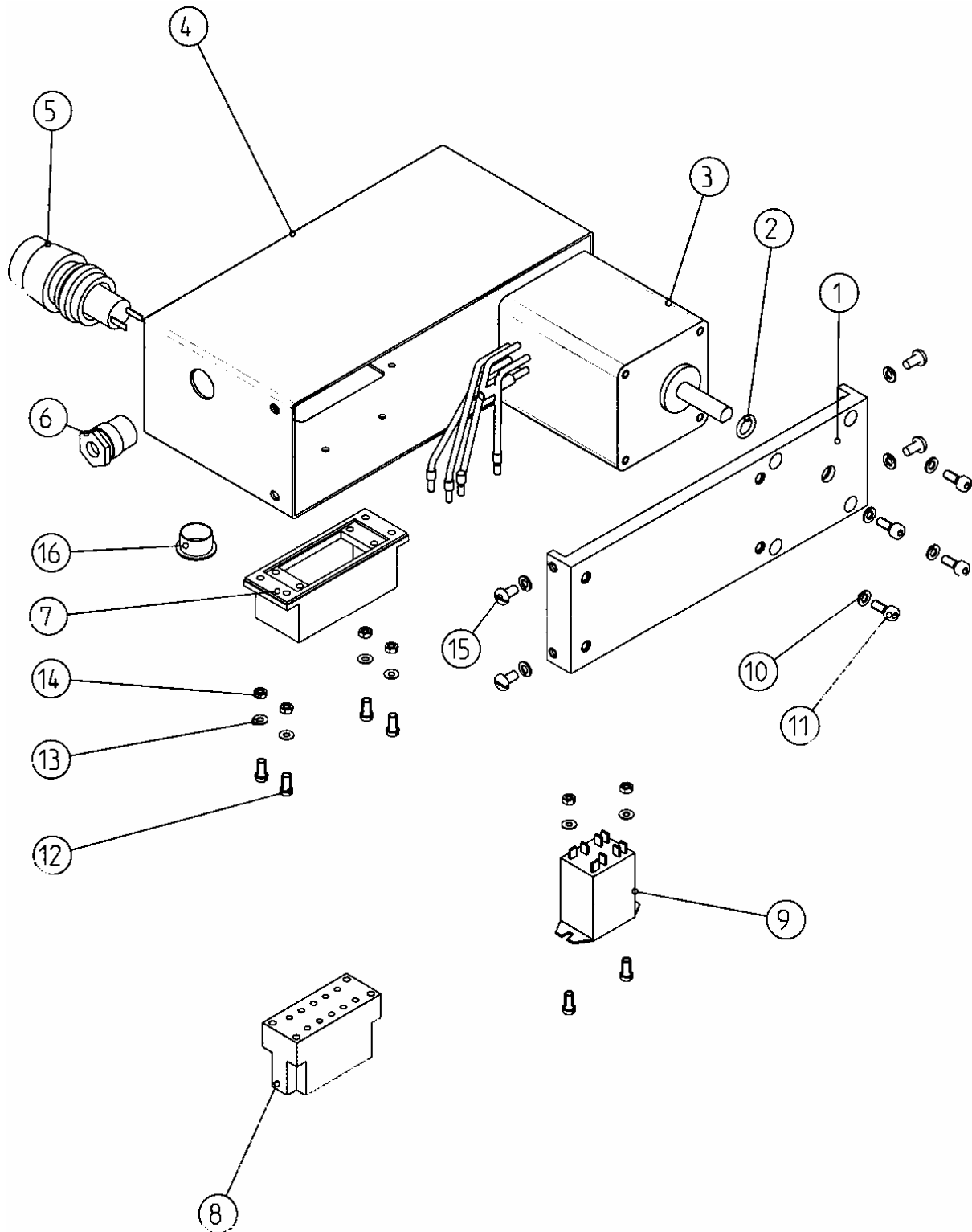
Exploded view: Conveyor

Concern code: 4601 - 0145 - 01

Pos	Part no.	Qty	Description	As of serialno
41	4101-3934	1	Intermediate cable conveyor - slicer	EPCL05001
42	2101-8551	2	Ring A5,3 DIN9021 RVS	ch 772
43	2101-7411	2	Nut M5 DIN1587 RVS A2	EPCL05001
44	2201-7010	3	Cable clip	ch 772
45	3501-3810	1	Intermediate plate	EPCL05001

DEKO Holland.

Exploded view: Steppenmotor
Concern code: 4401 - 3407 - 01



DEKO Holland.



Exploded view: Steppenmotor

Concern code: 4401 - 3407 - 01

Pos	Part no.	Qty	Description	from serialno
1	3501-3809	1	Motor mounting plate	EPCL05001
2	2201-4885	1	O-ring	EPCL05001
3	4101-3943	1	Motor assy	EPCL05001
4	3401-4567	1	Coverplate motorbox	EPCL05001
5	2601-1084	1	Stop switch	EPCL05001
6	2601-5087	1	Cable grommet	EPCL05001
7	2601-7532	1	Bulkhead mounting	EPCL05001
8	2601-5086	1	Screw terminal male HAN 10 A 10 MSCH	EPCL05001
9	2601-2027	1	Mounted power relay	EPCL05001
10	2101-8556	8	Washer A4 DIN127 RVS A2	EPCL05001
11	2101-3261	4	M4x10 DIN912 RVS A2	EPCL05001
12	2101-2159	6	Screw M3x10 DIN84 RVS A2	EPCL05001
13	2101-8076	6	Washer A3.2 DIN125 RVS A2	EPCL05001
14	2101-7045	6	Nut M3 DIN934 RVS A2	EPCL05001
15	2101-2080	4	Screw M4x8 DIN85 RVS A2	EPCL05001
16	2201-9110	1	Cover plug Skiffy	EPCL05001