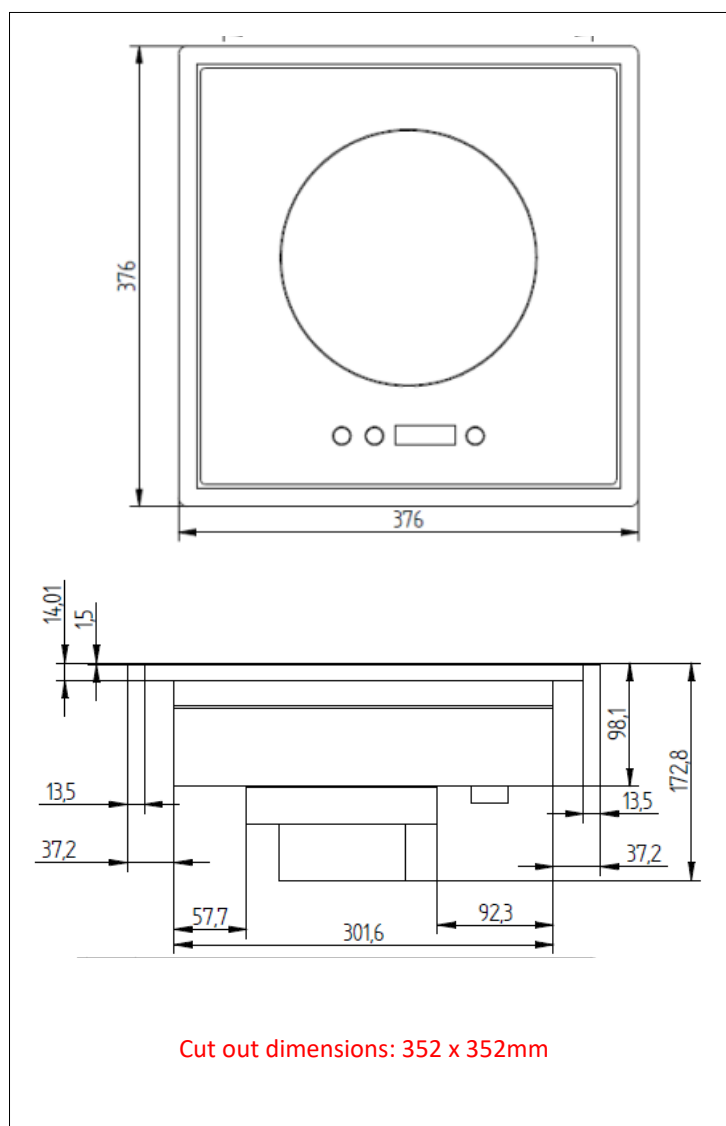


TECHNICAL FEATURES

External structure	AISI 304 stainless steel
Dimensions	376 x 376 x 173mm
Power	650W
Cooking surface	Vitroc ceramic glass.
Control panel	Integrated keyboard under glass ceramic
Amp	3 A
Functions	On/Off, manual temperature setting (+/-) with 2 digits display. Timer
Power supply	230 V ; 208/240 V ; AC 50 - 60 Hz
Weight	8 kg kg / 17,3 lbs.
Standards	Complies with European standards for safety of electrical appliances.
Details & Options	Includes power cable and washable filter



ADVENTYS
Route de Pagny - 21250 Seurre - France
www.adventys.com
sales@adventys.com
T: +33 3 80 20 46 15

Important note

Adventys reserves the right to modify specifications without notice.

