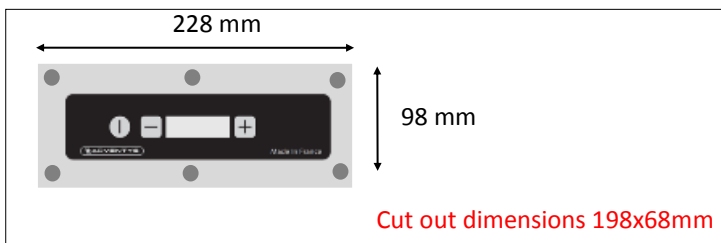
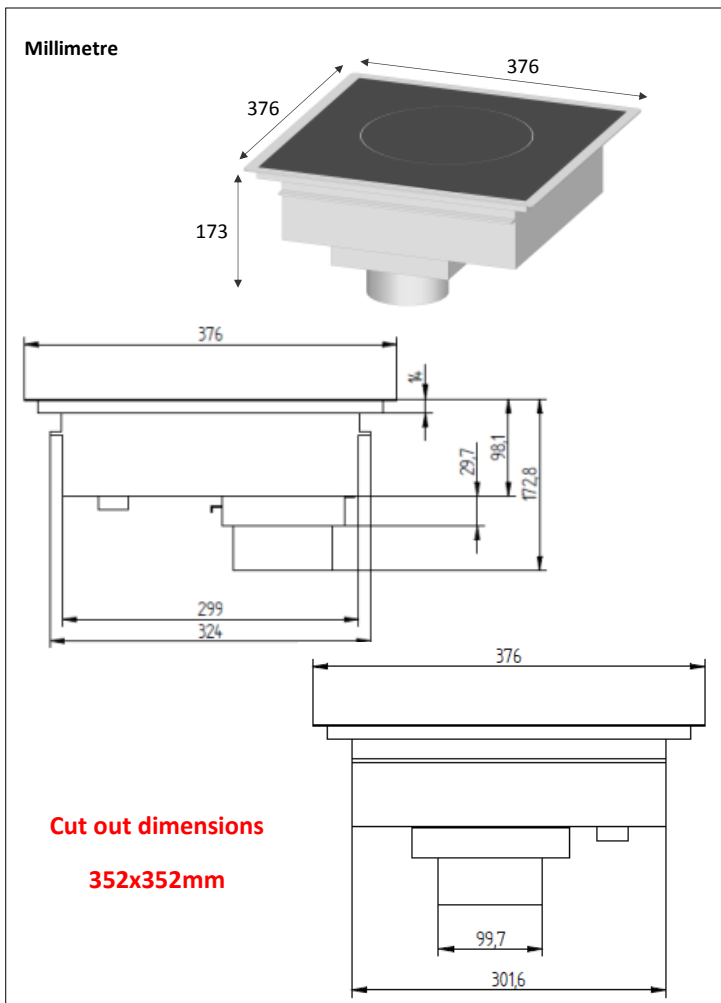


TECHNICAL FEATURES

External structure	<p>The frame around the vitroceramic glasses is in stainless steel 430</p> <p>The casing is in stainless steel 430 + aluminium 5754 H111</p> <p>The front metal part of remote control is in stainless steel 430</p>
Dimensions	376 x 376 x 173mm
Power	650W
Cooking surface	Vitroceramic glass
Control panel	<p>Built-in remote control</p> <p>Control with capacitive keys</p>
Amp	3 A
Functions	<p>On/off button, Selection buttons (+/-) with display.</p> <p>9 setting levels available</p>
Power supply	220-240V Single-phase, 50/60Hz
Weight	8 kg / 17,3 lbs.
Standards	Complies with European standards for safety of electrical appliances.
Details & Options	<p>Includes power cable with plug and washable filter.</p> <p>Includes 1 connection cable 2m between keyboard and generator.</p>



ADVENTYS
 Route de Pagny - 21250 Seurre - France
 www.adventys.com
 sales@adventys.com

Important note

Adventys reserves the right to modify specifications without notice.

