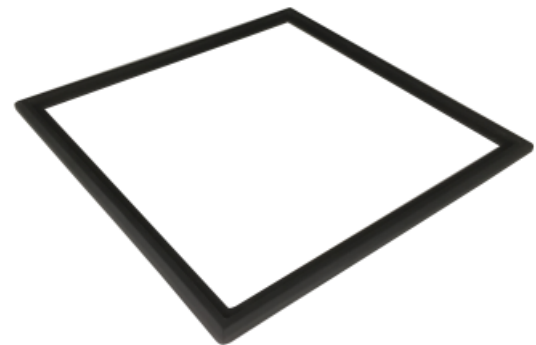


TECHNICAL FEATURES

External structure	Stainless steel structure + vitroceramic-glass
Dimensions	280 x 280 x 94mm
Power	1000 W
Cooking surface	Vitroceramic glass
Control panel	Remote control - Capacitive touches
Amp	10 A
Functions	Capacitive touches keys: Touche On/Off, Temperature management keys (+/-) 12 levels of adjustment
Power supply	120 V for USA only 208/240 V ; AC 35/70 Hz
Weight	5.5 kg / 12.5 lbs
Standards	Complies with European standards for safety of electrical appliances.
Options	Includes power cable and a washable filter. Electrical connection underside the product Includes silicone gasket and mounting frame. Interconnect cable for up to 2 products (optional)



Silicone seal



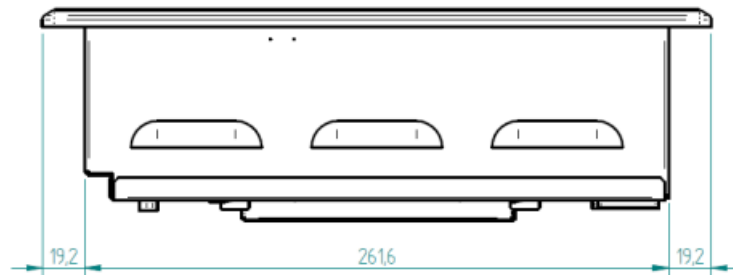
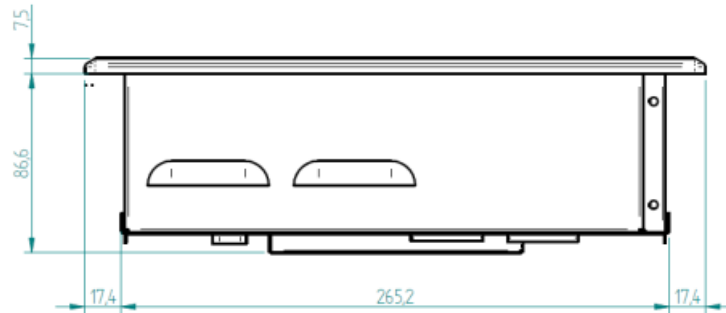
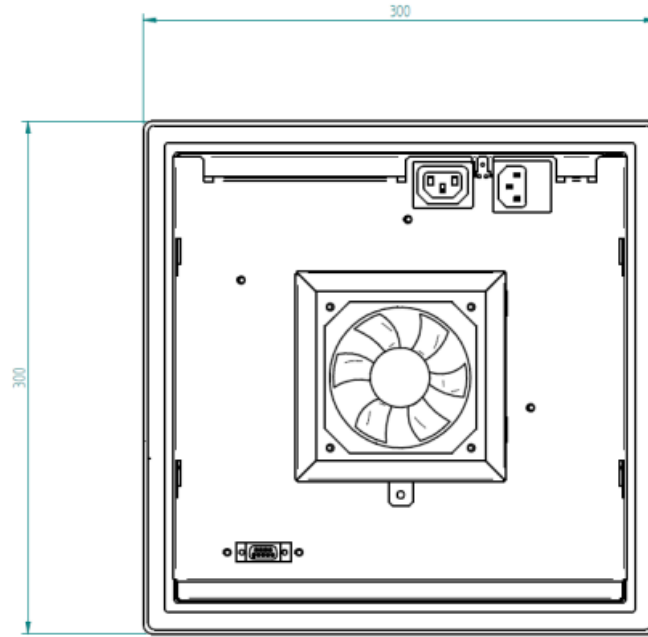
Cable for interconnection

ADVENTYS
Route de Pagny - 21250 Seurre - France
www.adventys.com
sales@adventys.com
T: +33 3 80 20 46 15

Important note

Adventys reserves the right to modify specifications without notice.

Dimension Induc-Elegance with silicone seal

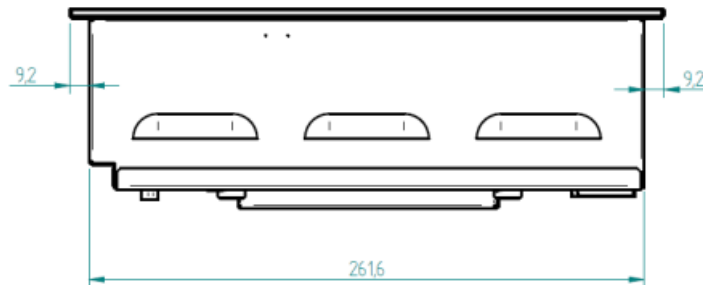
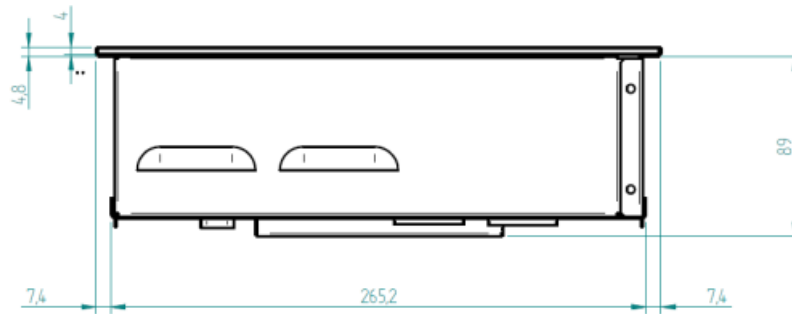
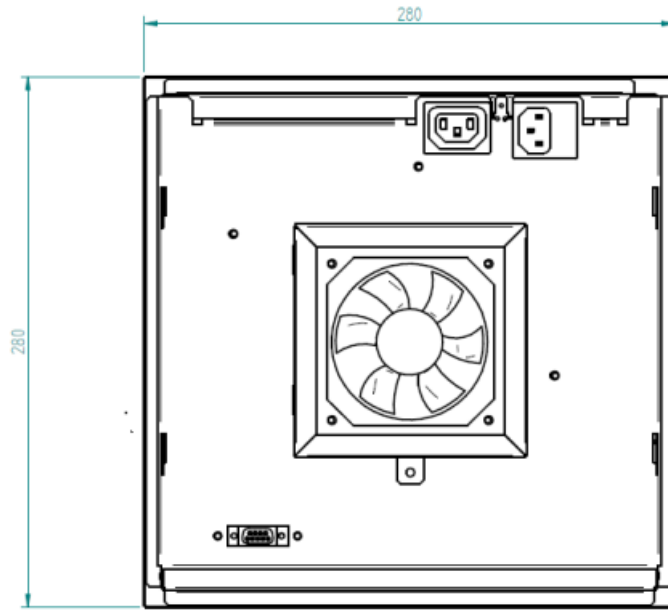


ADVENTYS
Route de Pagny - 21250 Seurre - France
www.adventys.com
sales@adventys.com
T: +33 3 80 20 46 15

Important note

Adventys reserves the right to modify specifications without notice.

Dimension Induc-Elegance without silicone seal

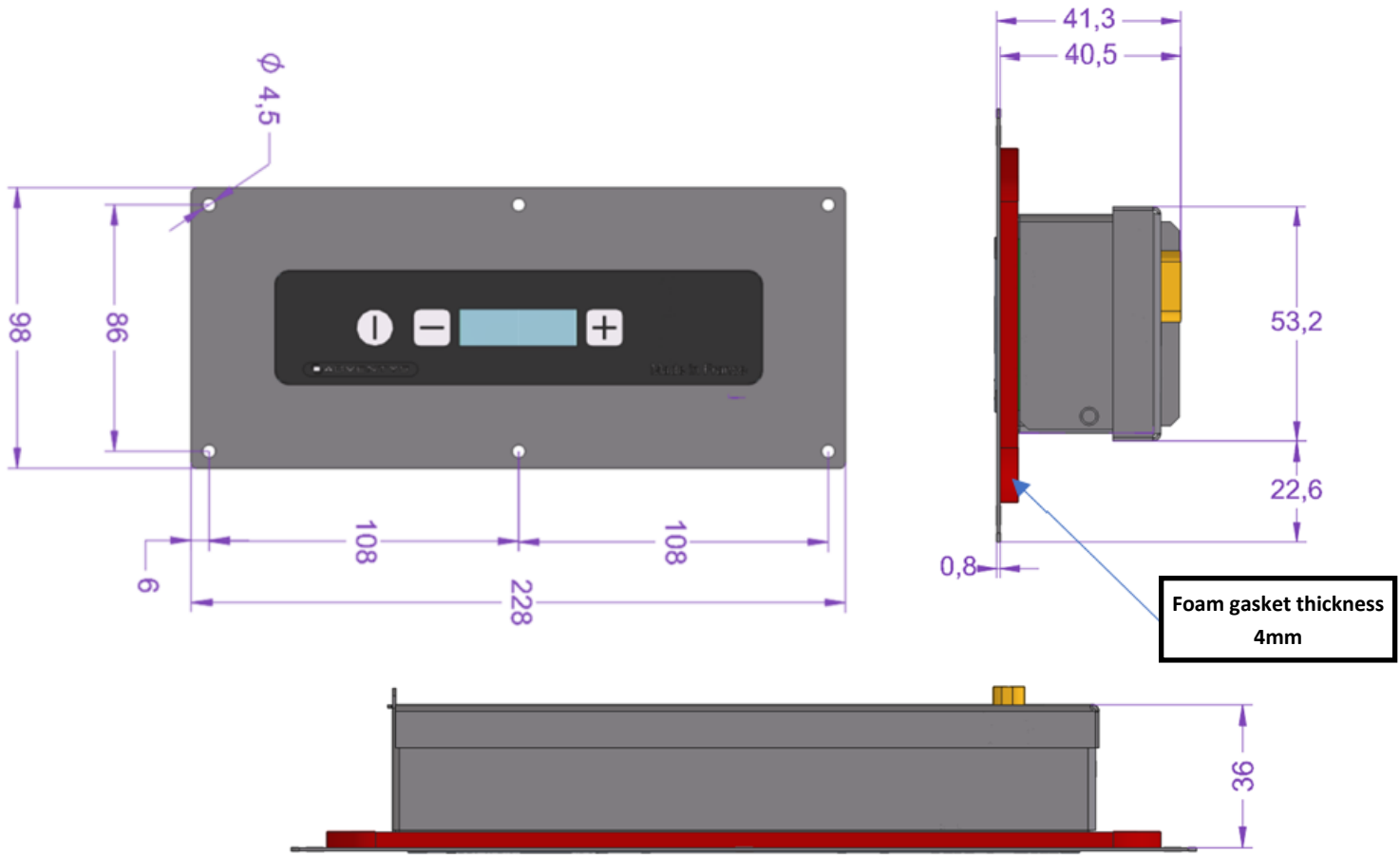


ADVENTYS
Route de Pagny - 21250 Seurre - France
www.adventys.com
sales@adventys.com
T: +33 3 80 20 46 15

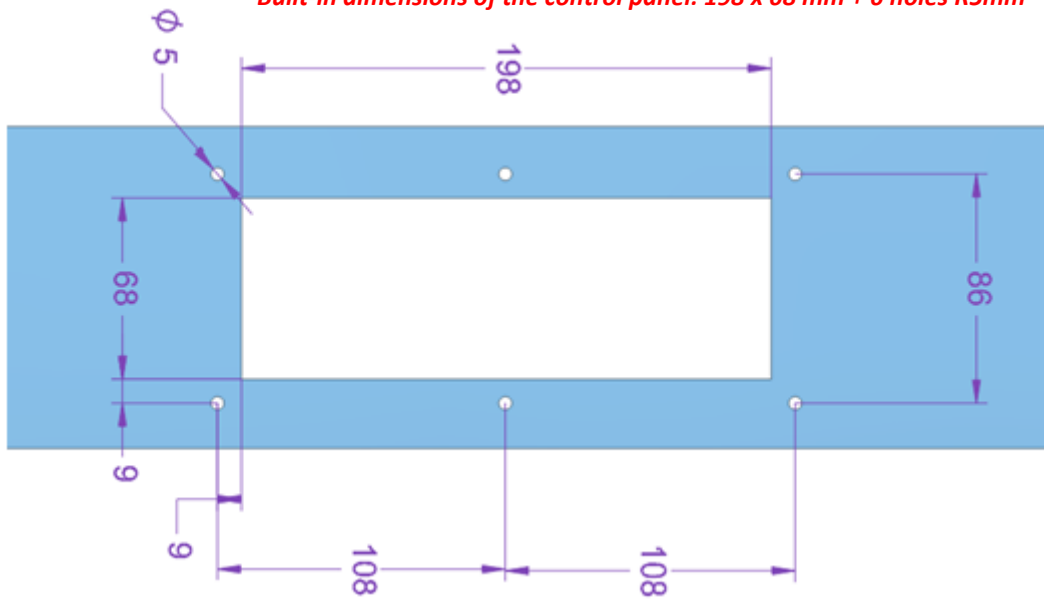
Important note

Adventys reserves the right to modify specifications without notice.





Built-in dimensions of the control panel: 198 x 68 mm + 6 holes R5mm



ADVENTYS
 Route de Pagny - 21250 Seurre - France
 www.adventys.com
 sales@adventys.com
 T: +33 3 80 20 46 15

Note importante

Adventys se réserve le droit de modifier les caractéristiques sans préavis.