

**TECHNICAL SPECIFICATIONS**

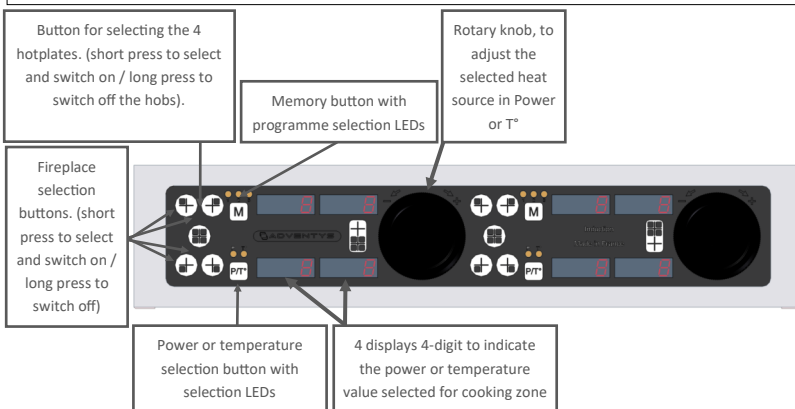
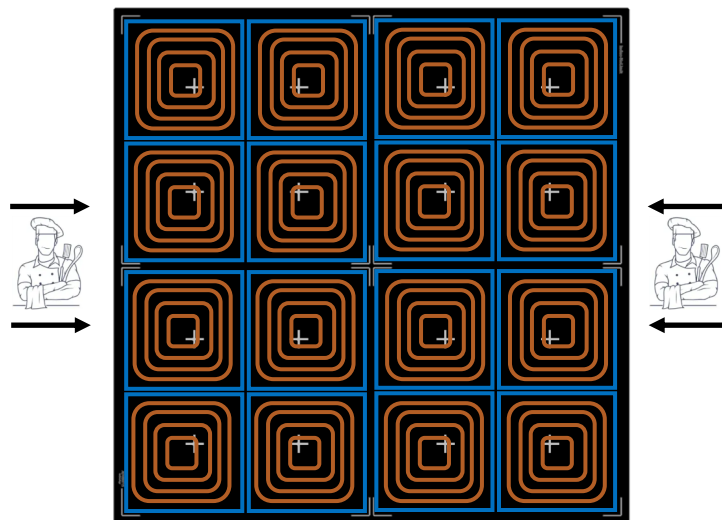
<b>Cooking block dimensions</b>	690mm x 690mm x 70.5mm To be integrated into the worktop
<b>Cooking surface</b>	690mm x 690mm Glass ceramic thickness 6mm
<b>Power</b>	32000W (16 inductors of 2000W)
<b>Controls</b>	Touch-sensitive keyboard with joystick and displays
<b>Amperage</b>	48A
<b>Functions L'Original</b>	<p>The No Limit innovation is based on the principle: 1 inductor = 1 zone.</p> <p>16 coils / 16 cooking zones, controlled by 2 touch-sensitive keypads with 4 joysticks and 16 displays 4-digit.</p> <p>Adjustable power and temperature:                      - Power adjustment - 30 levels from 25 to 2000W per inductor                      - Temperature setting from 30°C to 250°C in 1°C steps</p> <p>Integrated programme function with 3 memory settings</p>
<b>Power supply</b>	380V Three-phase 50-60Hz Compatible with TERA WATT and SI-COTRONIC energy optimisers.
<b>Diameter saucepan</b>	Minimum 6 cm
<b>Standards</b>	Complies with current European standards on the safety of electrical equipment, EMC, Rohs and SGS
<b>Kit composition</b>	- 1 Cooktop - 4 Generator blocks - 2 Knobs control - 1 Integration frame (750 x 750mm) - Connecting cables 1m50 (Custom connection cables available in 3, 5, 6, 8, 10, 12, 15m)

*L'Original*

**Features KNL16 Side by Side**

The No Limit KNL16 hob has 16 cooking zones with adjustable power or temperature. Each cooking zone can be controlled independently :

- 16 Cooking zones
- 16 Inductors
- 2 Controls for the 16 cooking zones


**ADVENTYS**

Route de Pagny - 21250 Seurre - France

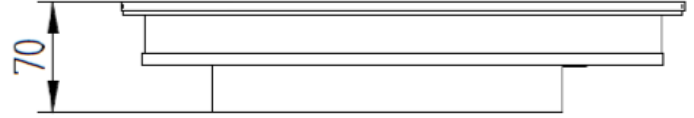
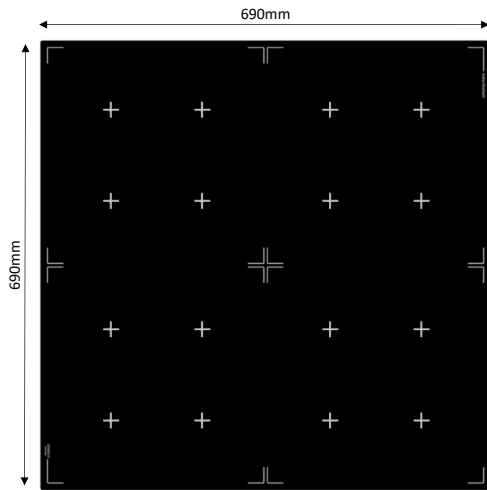
[www.adventys.com](http://www.adventys.com)
[contact@adventys.com](mailto:contact@adventys.com)

T: 03.80.20.46.15

**Importante Note**

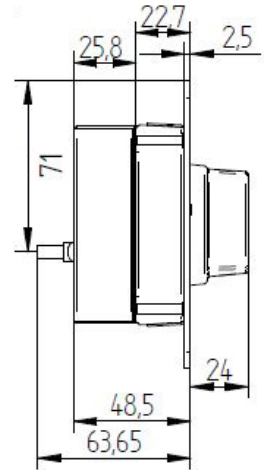
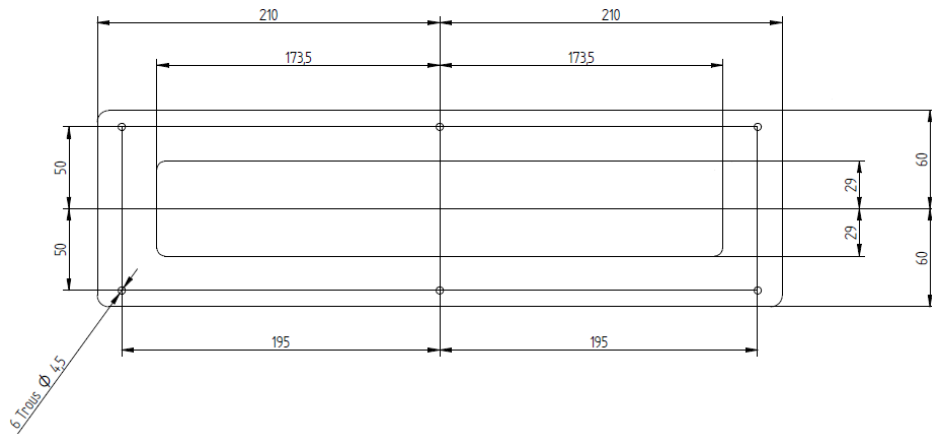
Adventys reserves the right to change specifications without notice.

*Cooking block dimensions*



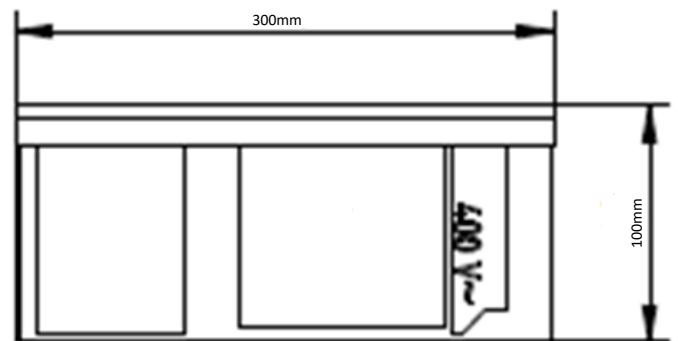
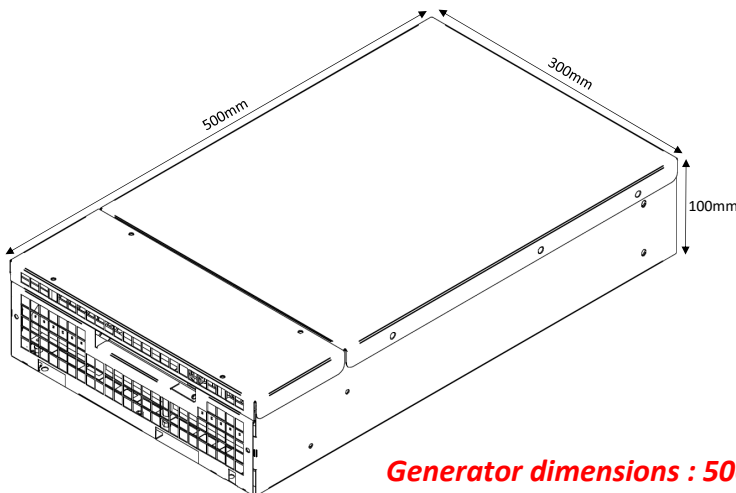
**Integrated cooking unit dimensions : 696mm x 696mm**

*Dimensions Control panel (420x 120)*



**Built-in dimensions control 390 x 88 mm + 6 holes R4,5mm**

*Generator dimensions*



**Generator dimensions : 500mm x 300mm x 100mm**

**ADVENTYS**  
 Route de Pagny - 21250 Seurre - France  
[www.adventys.com](http://www.adventys.com)  
[contact@adventys.com](mailto:contact@adventys.com)  
 T: 03.80.20.46.15

**Importante Note**  
 Adventys reserves the right to change specifications without notice.