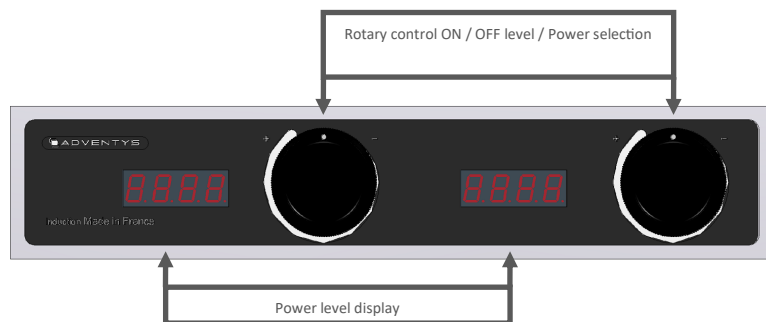
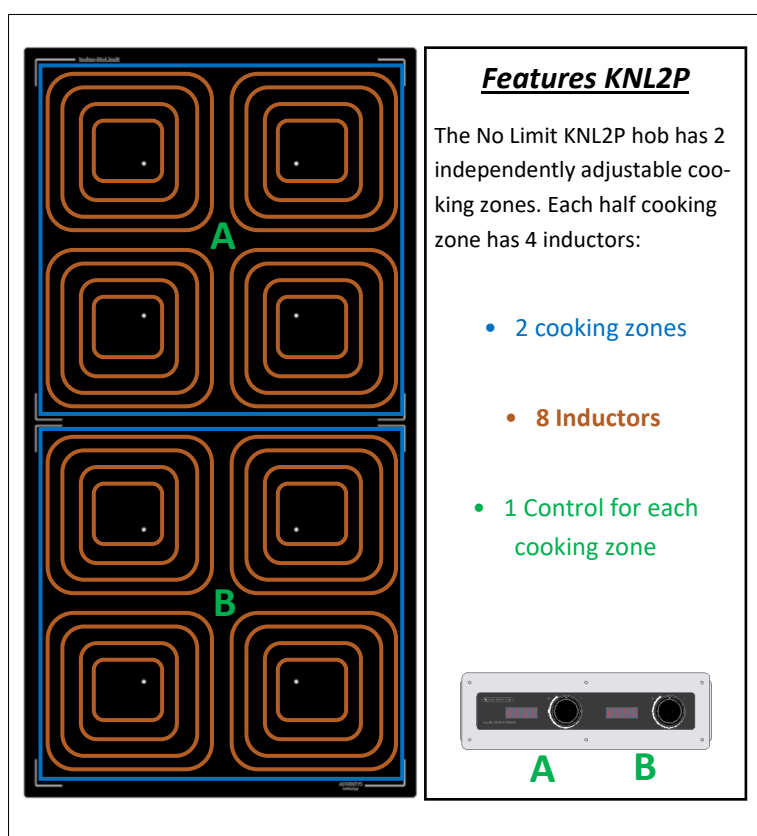


Le Standard
TECHNICAL SPECIFICATIONS

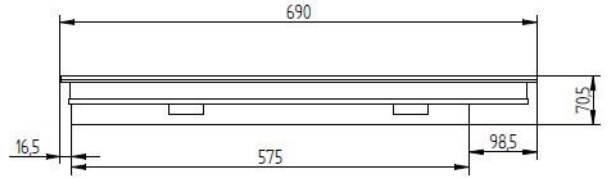
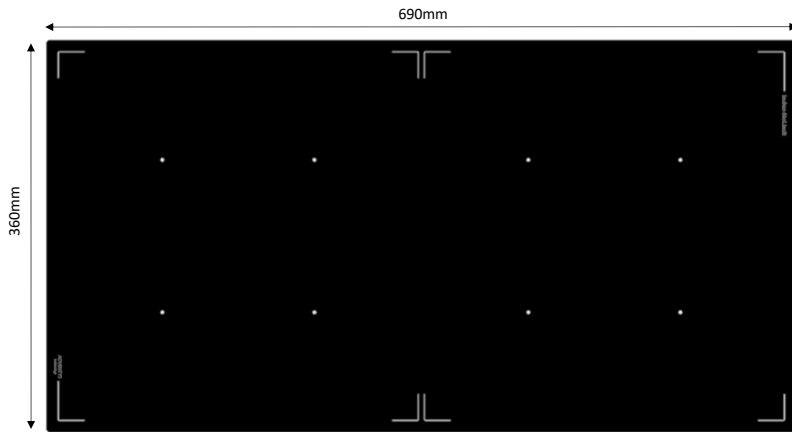
Cooking block dimensions	690mm x 360mm x 70.5mm To be integrated into the worktop
Cooking surface	690mm x 360mm Glass ceramic thickness 6mm
Power	16000W (8 inductors of 2000W)
Controls	Knob control with displays
Amperage	24A
Functions Le standard	2 cooking zones / 4 coils per zone, controlled by 2 joysticks and 2 4-digit displays (a single setting for 4 coils). Power adjustable - 30 levels available from 25 to 2000W per inductor
Power supply	380V Three-phase 50-60Hz Compatible with TERA WATT and SICOTRONIC energy optimisers.
Diameter saucepan	Minimum 6 cm
Standards	Complies with current European standards on safety of electrical equipment, EMC, Rohs and SGS.
Kit composition	- 1 Cooktop - 2 Generator blocks - 1 Knob control - 1 Integration frame (736 x 406mm) - Connecting cables 1m50 (Custom connection cables available in 3, 5, 6, 8, 10, 12, 15m)



ADVENTYS
 Route de Pagny - 21250 Seurre - France
www.adventys.com
contact@adventys.com
 T: 03.80.20.46.15

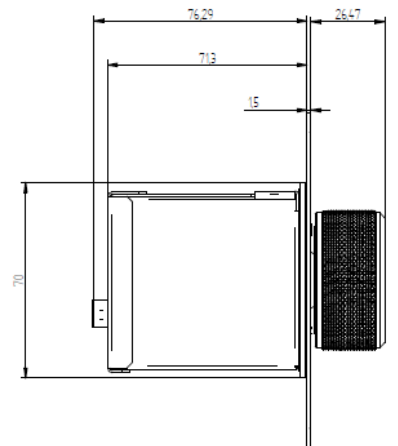
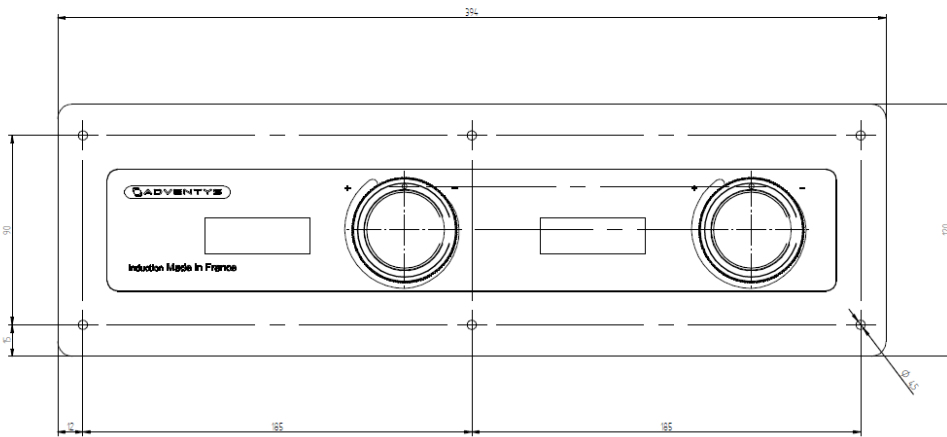
Important note
 Adventys reserves the right to change specifications without notice.

Cooking block dimensions



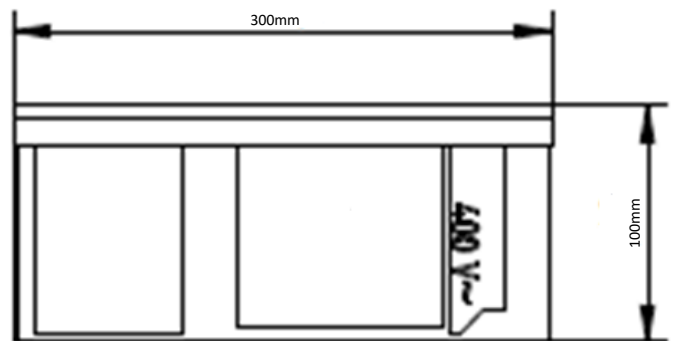
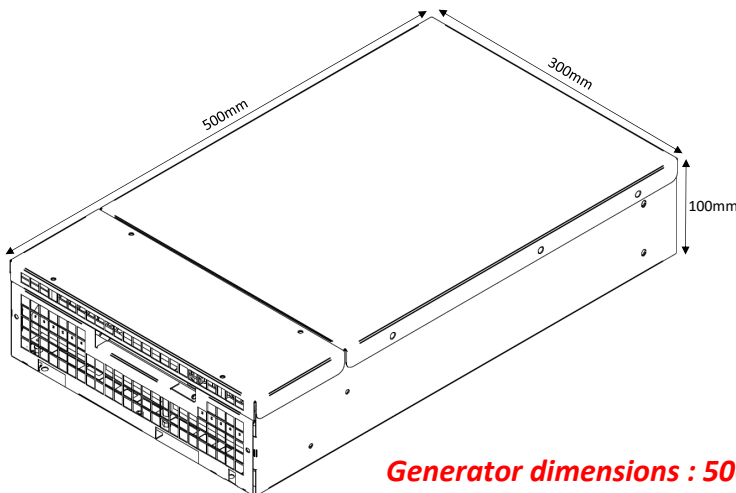
Integrated cooking unit dimensions : 696mm x 366mm

Dimensions Control panel



Built-in dimensions control 370 x 75 mm + 6 holes R7mm

Generator dimensions



Generator dimensions : 500mm x 300mm x 100mm

ADVENTYS
 Route de Pagny - 21250 Seurre - France
www.adventys.com
contact@adventys.com
 T: 03.80.20.46.15

Important note
 Adventys reserves the right to change specifications without notice.