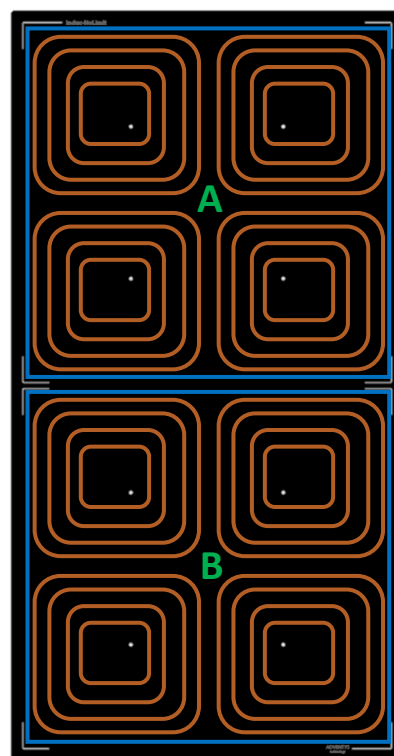


**TECHNICAL SPECIFICATIONS**

<b>Cooking block dimensions</b>	690mm x 360mm x 70.5mm To be integrated into the worktop
<b>Cooking surface</b>	690mm x 360mm Glass ceramic thickness 6mm
<b>Power</b>	16000W (8 inductors of 2000W)
<b>Controls</b>	Knobs control with displays
<b>Amperage</b>	24A
<b>Functions Click Clack</b>	2 cooking zones / 4 coils per zone, controlled by 2 joysticks and 2 4-digit displays (a single setting for 4 coils).  Adjustable power and temperature : - Power adjustment - 30 levels from 25 to 2000W per inductor - Temperature setting from 30°C to 250° C in 1°C steps  Switch from power mode to temperature mode by turning the knob twice.
<b>Power supply</b>	380V Three-phase 50-60Hz Compatible with TERA WATT and SICOTRONIC energy optimisers.
<b>Diameter saucepan</b>	Minimum 6 cm
<b>Standards</b>	Complies with current European standards on safety of electrical equipment, EMC, Rohs and SGS.
<b>Kit composition</b>	- 1 Cooktop - 2 Generator blocks - 1 Knob control - 1 Integration frame (736 x 406mm) - Connecting cables 1m50  (Custom connection cables available in 3, 5, 6, 8, 10, 12, 15m)

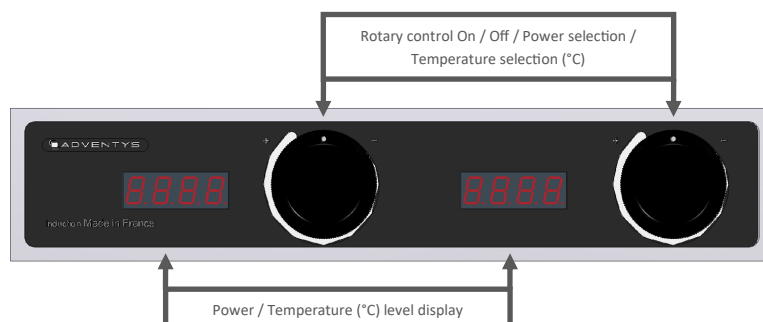
*Click Clack*



**KNL2PT features**

The No Limit KNL2PT hob has 2 independently adjustable cooking zones for power or temperature. Each half cooking zone has 4 inductors :

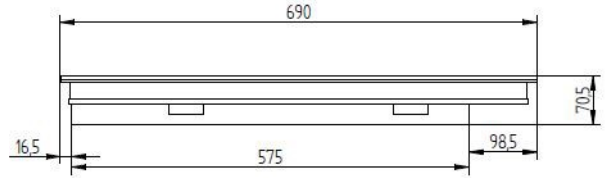
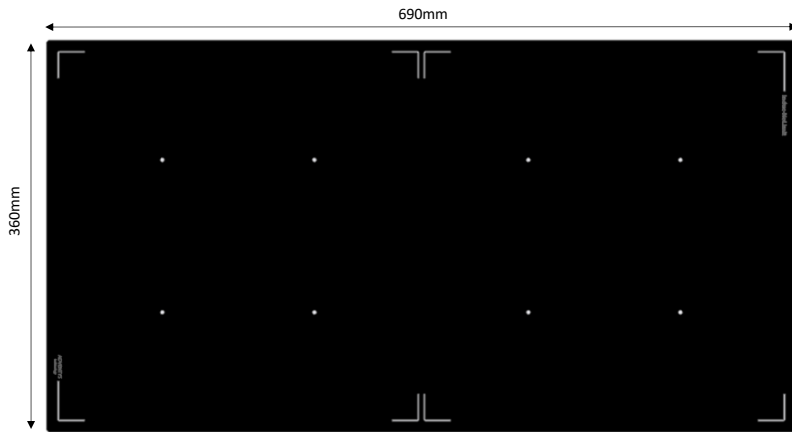
- 2 Cooking zones
- 8 Inductors
- 1 Control for each cooking zone



**ADVENTYS**  
 Route de Pagny - 21250 Seurre - France  
[www.adventys.com](http://www.adventys.com)  
[contact@adventys.com](mailto:contact@adventys.com)  
 T: 03.80.20.46.15

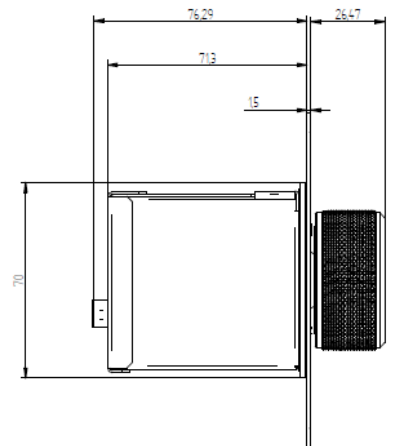
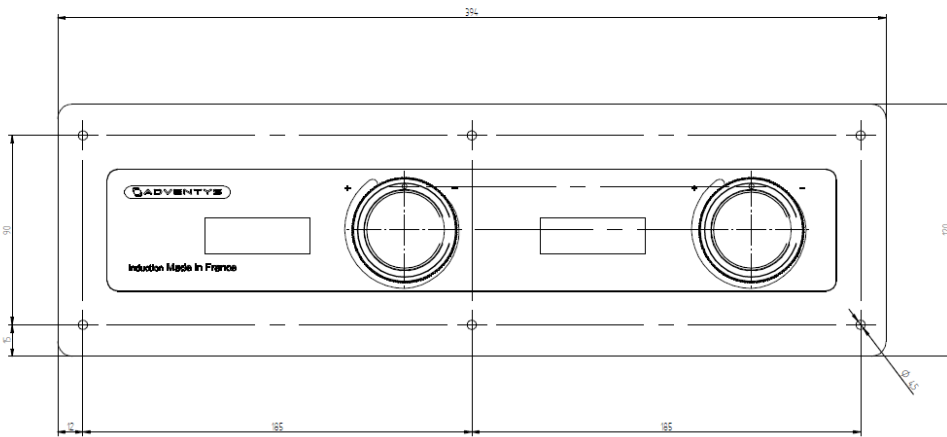
**Important note**  
 Adventys reserves the right to change specifications without notice.

*Cooking block dimensions*



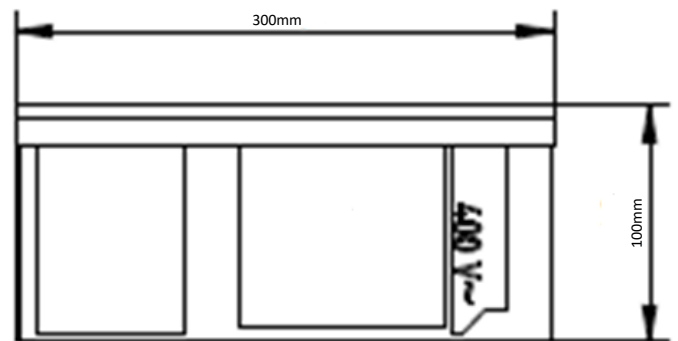
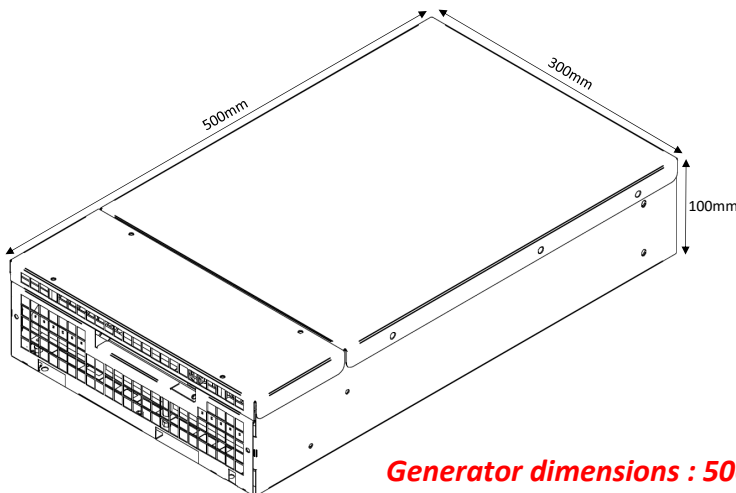
**Integrated cooking unit dimensions : 696mm x 366mm**

*Dimensions Control panel*



**Built-in dimensions control 370 x 75 mm + 6 holes R7mm**

*Generator dimensions*



**Generator dimensions : 500mm x 300mm x 100mm**

**ADVENTYS**  
 Route de Pagny - 21250 Seurre - France  
[www.adventys.com](http://www.adventys.com)  
[contact@adventys.com](mailto:contact@adventys.com)  
 T: 03.80.20.46.15

**Important note**  
 Adventys reserves the right to change specifications without notice.