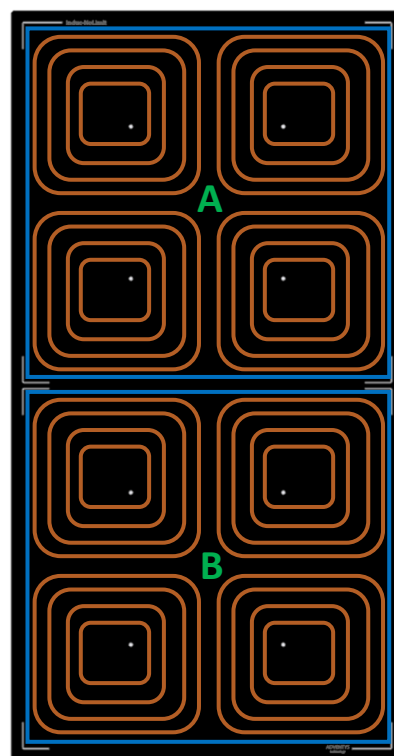


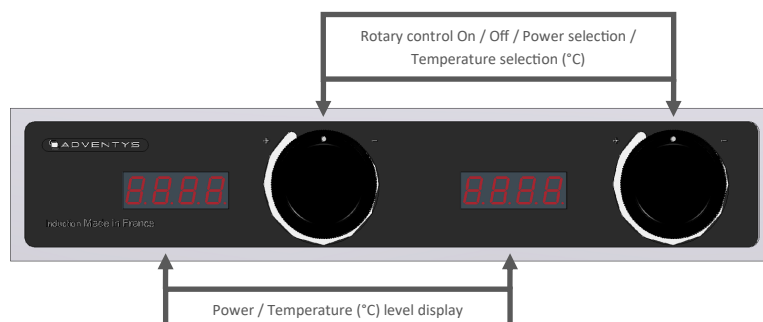
TECHNICAL SPECIFICATIONS

| | |
|---------------------------------|--|
| Cooking block dimensions | 690mm x 360mm x 70.5mm To be integrated into the worktop |
| Cooking surface | 690mm x 360mm Glass ceramic thickness 6mm |
| Power | 8000W (8 inductors of 1000W) |
| Controls | Knobs control with displays |
| Amperage | 12A |
| Functions Click Clack | 2 cooking zones / 4 coils per zone, controlled by 2 joysticks and 2 4-digit displays (a single setting for 4 coils). Adjustable power and temperature : - Power adjustment - 20 levels from 25 to 1000W per inductor - Temperature setting from 30°C to 250°C in 1°C steps Switch from power mode to temperature mode by turning the knob twice. |
| Power supply | 380V Three-phase 50-60Hz Compatible with TERA WATT and SICOTRONIC energy optimisers. |
| Diameter saucepan | Minimum 6 cm |
| Standards | Complies with current European standards on safety of electrical equipment, EMC, Rohs and SGS. |
| Kit composition | - 1 Cooktop - 2 Generator blocks - 1 Knob control - 1 Integration frame (736 x 406mm) - Connecting cables 1m50 (Custom connection cables available in 3, 5, 6, 8, 10, 12, 15m) |

Click Clack

KNL2PT features

The No Limit KNL2PT hob has 2 independently adjustable cooking zones for power or temperature. Each half cooking zone has 4 inductors :

- 2 Cooking zones
- 8 Inductors
- 1 Control for each cooking zone


ADVENTYS

Route de Pagny - 21250 Seurre - France

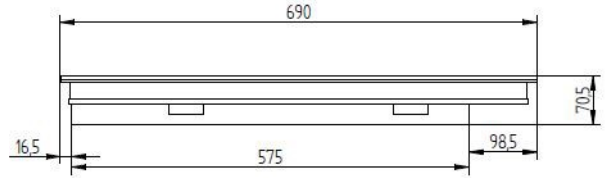
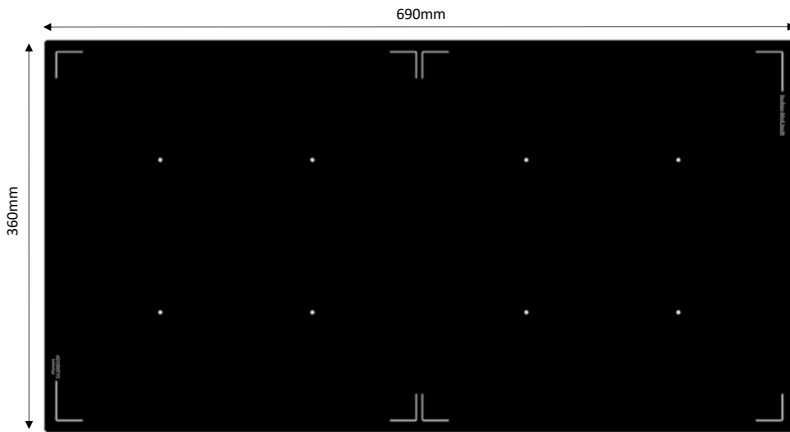
www.adventys.com
contact@adventys.com

T: 03.80.20.46.15

Important note

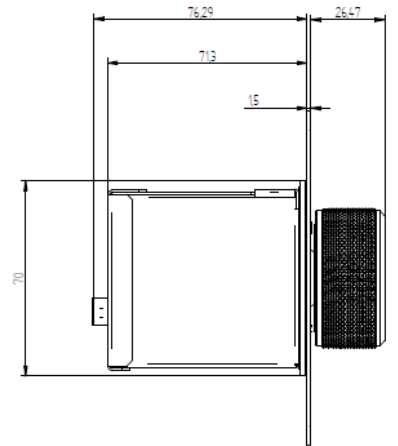
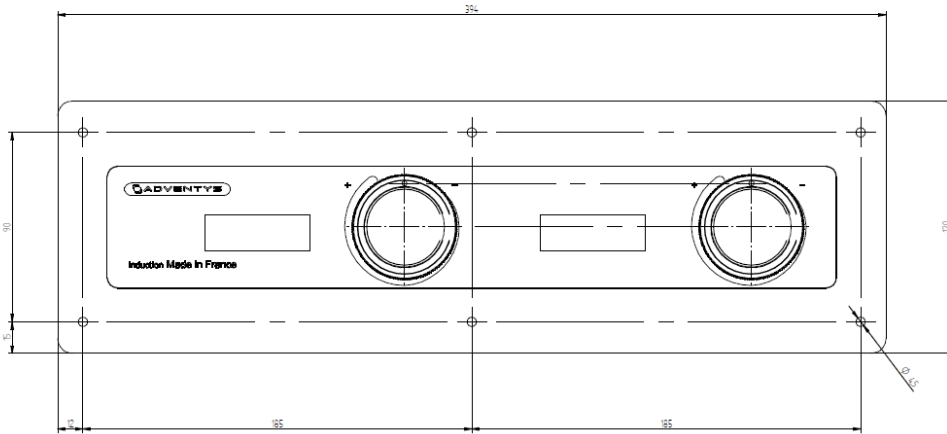
Adventys reserves the right to change specifications without notice.

Cooking block dimensions



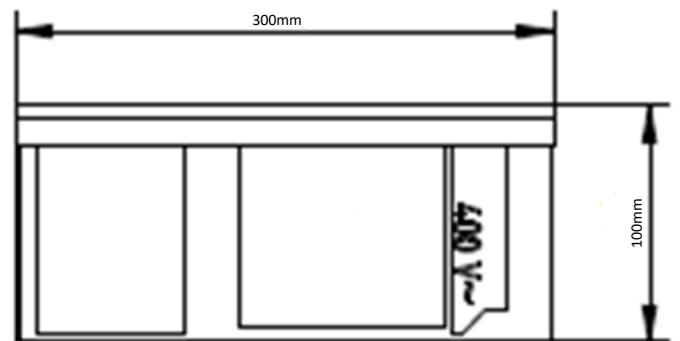
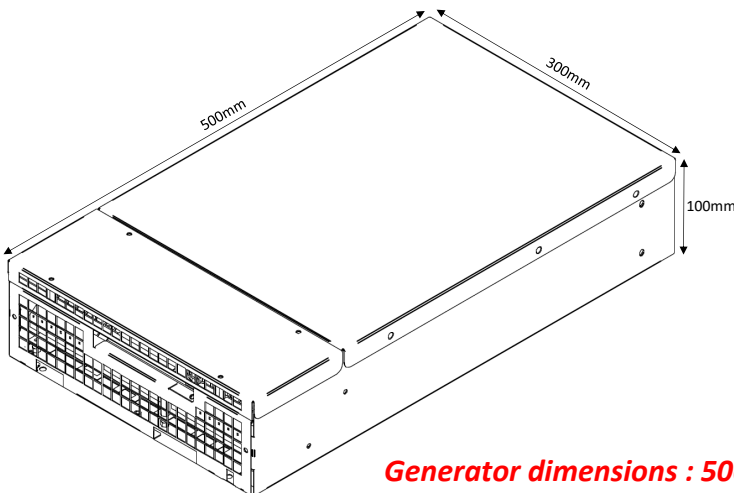
Integrated cooking unit dimensions : 696mm x 366mm

Dimensions Control panel



Built-in dimensions control 370 x 75 mm + 6 holes R7mm

Generator dimensions



Generator dimensions : 500mm x 300mm x 100mm

ADVENTYS
 Route de Pagny - 21250 Seurre - France
www.adventys.com
contact@adventys.com
 T: 03.80.20.46.15

Important note
 Adventys reserves the right to change specifications without notice.