

Le Standard

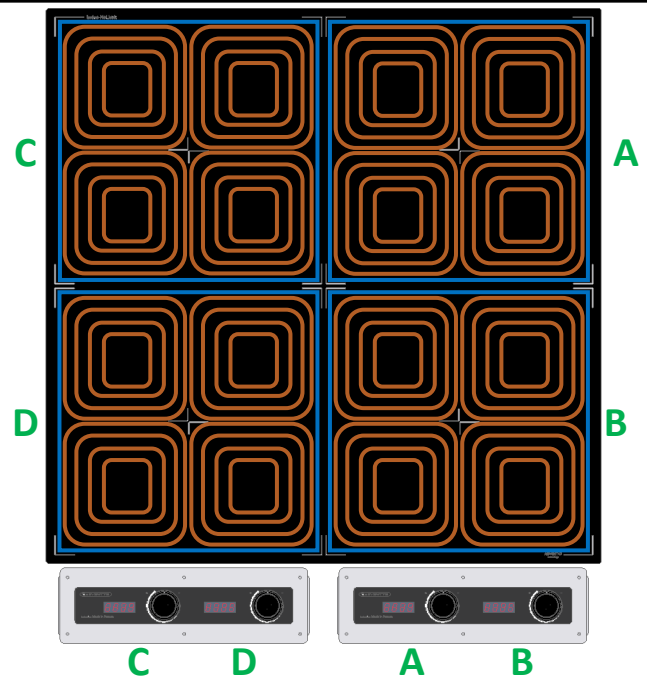
TECHNICAL SPECIFICATIONS

Cooking block dimensions	690mm x 690mm x 70.5mm To be integrated into the worktop
Cooking surface	690mm x 690mm Glass ceramic thickness 6mm
Power	16000W (16 inductors of 1000W)
Controls	Knob control with displays
Amperage	24A
Functions Le standard	4 cooking zones / 4 coils per zone, controlled by 4 joysticks and 4 4-digit displays (a single setting for 4 coils). Power adjustable - 20 levels available from 25 to 1000W per inductor
Power supply	380V Three-phase 50-60Hz Compatible with TERA WATT and SICOTRONIC energy optimisers.
Diameter saucepan	Minimum 6 cm
Standards	Complies with current European standards on safety of electrical equipment, EMC, Rohs and SGS.
Kit composition	- 1 Cooktop - 4 Generator blocks - 2 Knob control - 1 Integration frame (750 x 750mm) - Connecting cables 1m50 (Custom connection cables available in 3, 5, 6, 8, 10, 12, 15m)

Features KNL4P

The No Limit KNL4P hob has 4 independently adjustable cooking zones.
Each quarter cooking zone has 4 inductors :

- 4 cooking zones
- 16 Inductors
- 1 Control for each cooking zone



Rotary control ON / OFF level / Power selection



Power level display

ADVENTYS

Route de Pagny - 21250 Seurre - France

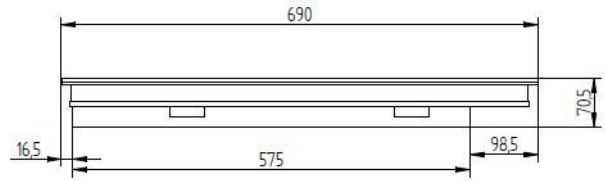
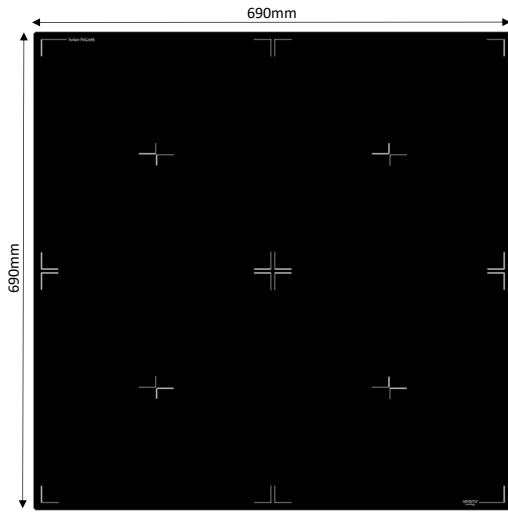
www.adventys.com
contact@adventys.com

T: 03.80.20.46.15

Note importante

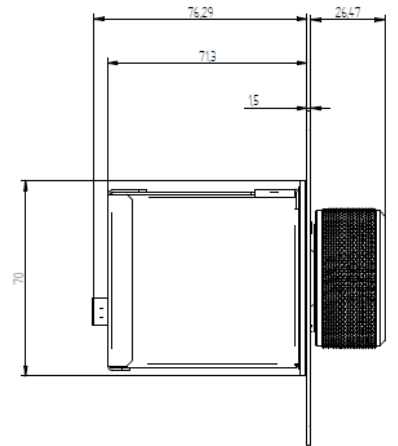
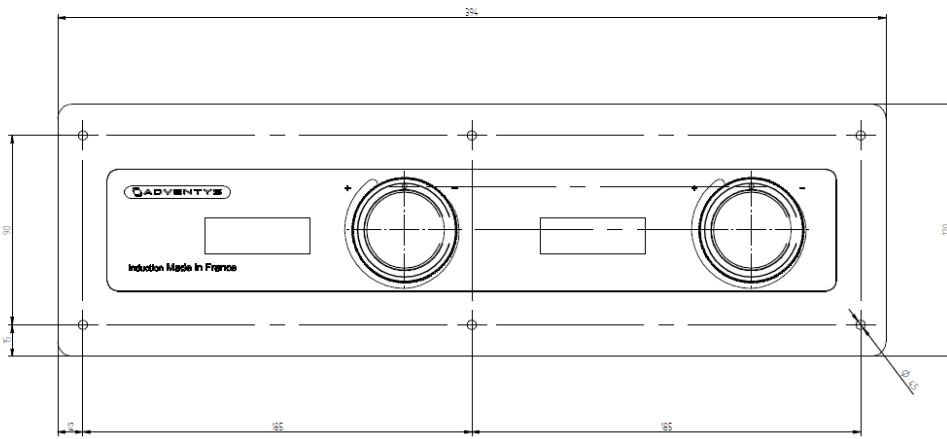
Adventys se réserve le droit de modifier les caractéristiques sans préavis.

Cooking block dimensions



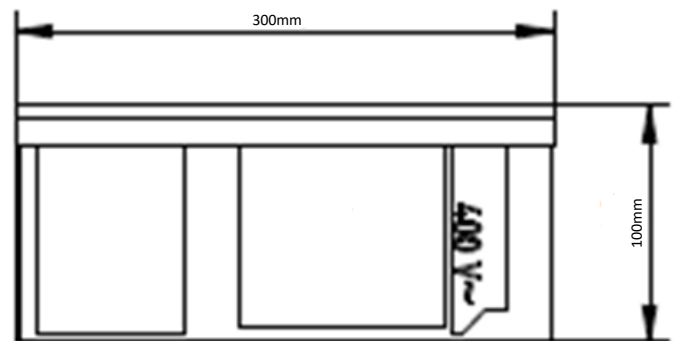
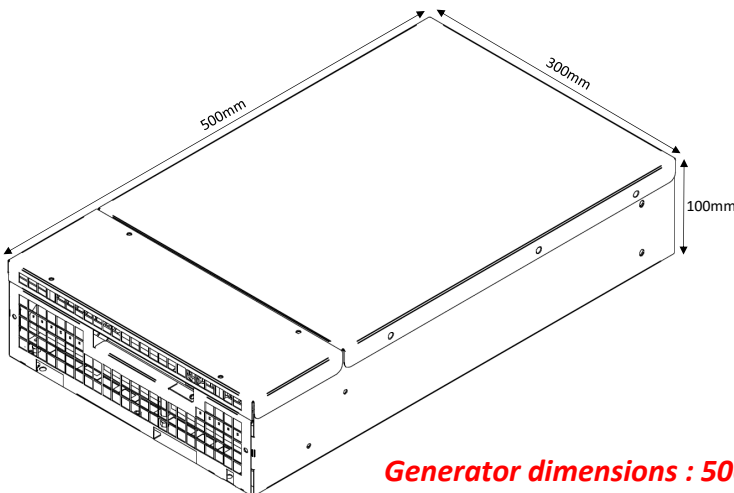
Integrated cooking unit dimensions : 696mm x 696mm

Dimensions Control panel



Built-in dimensions control : 370 x 75 mm + 6 holes R7mm

Generator dimensions



Generator dimensions : 500mm x 300mm x 100mm

ADVENTYS
 Route de Pagny - 21250 Seurre - France
www.adventys.com
contact@adventys.com
 T: 03.80.20.46.15

Important note

Adventys reserves the right to change specifications without notice.