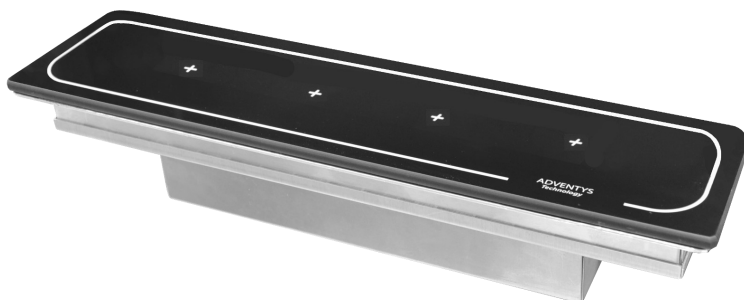


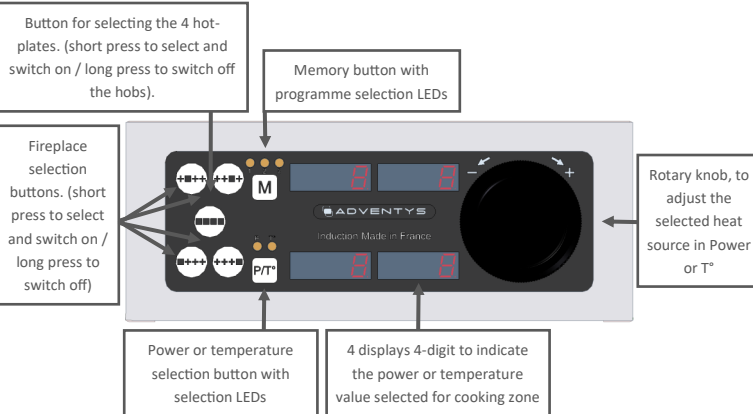
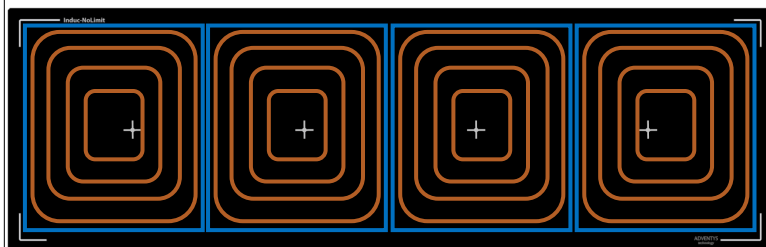
TECHNICAL SPECIFICATIONS

Cooking block dimensions	690mm x 220mm x 70.5mm To be integrated into the worktop
Cooking surface	690mm x 220mm Glass ceramic thickness 6mm
Power	4000W (4 inductors of 1000W)
Controls	Touch-sensitive keyboard with joystick and displays
Amperage	6A
Functions L'Original	<p>The No Limit innovation is based on the principle: 1 inductor = 1 zone.</p> <p>4 coils / 4 cooking zones, controlled by touch-sensitive keypad with 1 joystick and 4 displays 4-digit.</p> <p>Adjustable power and temperature: - Power adjustment - 20 levels from 25 to 1000W per inductor - Temperature setting from 30°C to 250°C in 1°C steps</p> <p>Integrated programme function with 3 memory settings</p>
Power supply	380V Three-phase 50-60Hz Compatible with TERA WATT and SI-COTRONIC energy optimisers.
Diameter saucepan	Minimum 6 cm
Standards	Complies with current European standards on the safety of electrical equipment, EMC, Rohs and SGS
Kit composition	- 1 Cooktop - 1 Generator block - 1 Knob control - 1 Integration frame (736 x 266mm) - Connecting cables 1m50 (Custom connection cables available in 3, 5, 6, 8, 10, 12, 15m)

L'Original

Features KNL4S Side by Side

The No Limit KNL4S hob has 4 cooking zones with adjustable power or temperature. Each cooking zone can be controlled independently :

- 4 Cooking zones
- 4 Inductors
- 1 Control for each cooking zone


ADVENTYS

Route de Pagny - 21250 Seurre - France

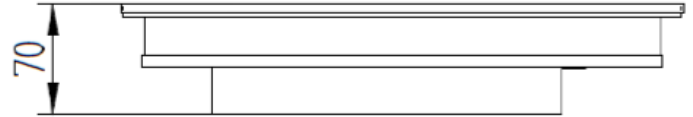
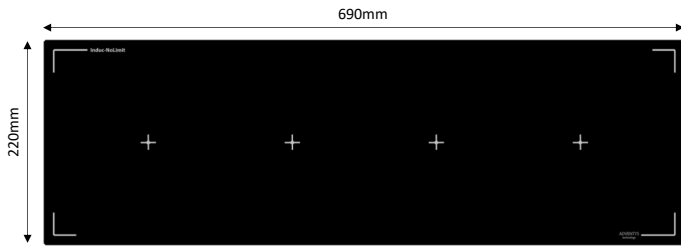
www.adventys.com
contact@adventys.com

T: 03.80.20.46.15

Importante Note

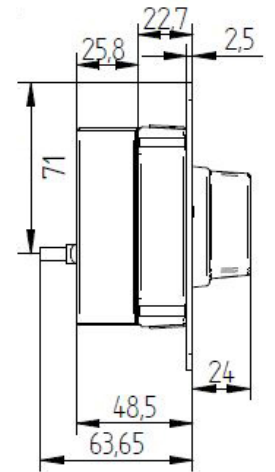
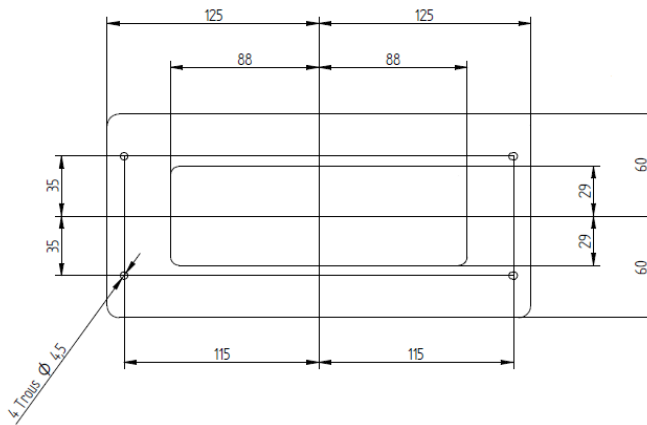
Adventys reserves the right to change specifications without notice.

Cooking block dimensions



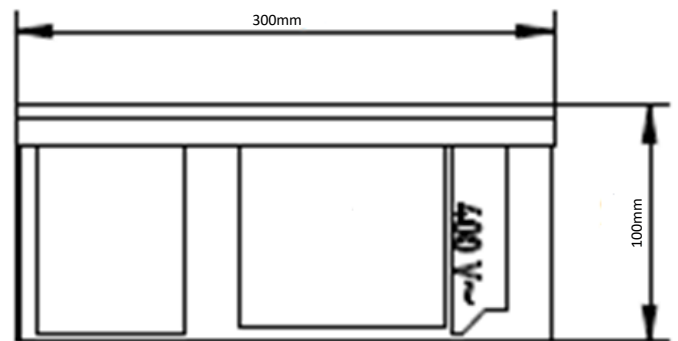
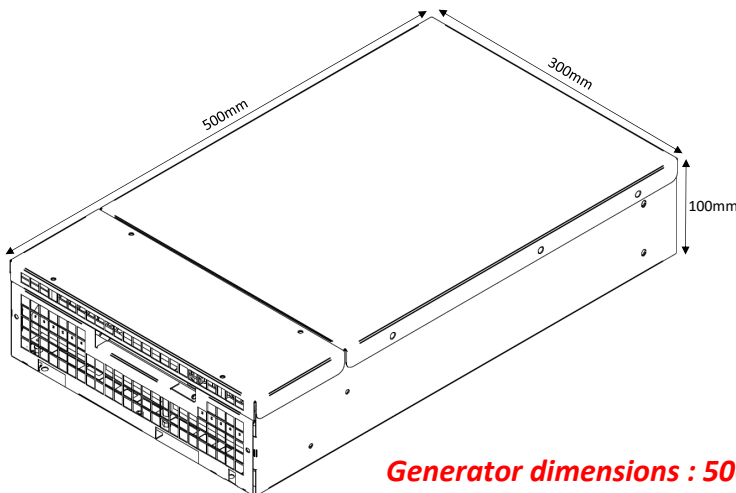
Integrated cooking unit dimensions : 696mm x 226mm

Dimensions Control panel (250x 120)



Built-in dimensions control 215 x 88 mm + 4 holes R4,5mm

Generator dimensions



Generator dimensions : 500mm x 300mm x 100mm

ADVENTYS
 Route de Pagny - 21250 Seurre - France
www.adventys.com
contact@adventys.com
 T: 03.80.20.46.15

Importante Note
 Adventys reserves the right to change specifications without notice.