

**TECHNICAL SPECIFICATIONS**

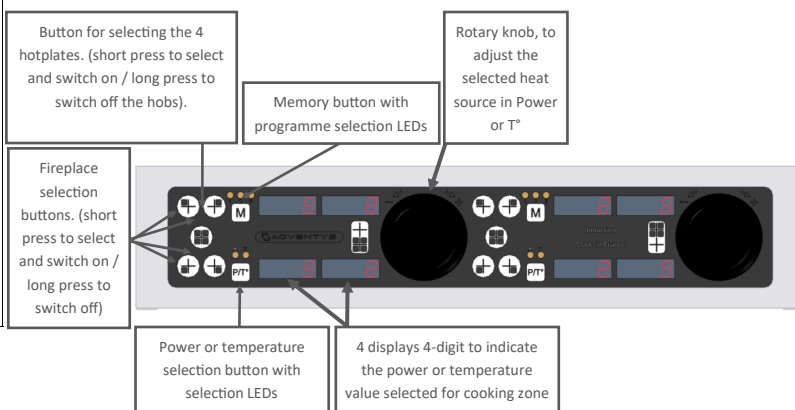
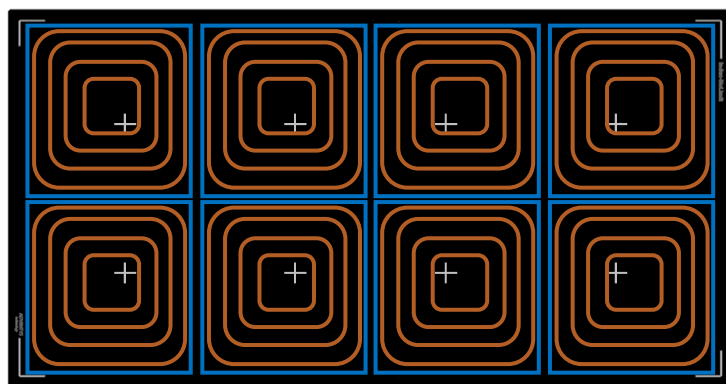
<b>Cooking block dimensions</b>	690mm x 360mm x 70.5mm To be integrated into the worktop
<b>Cooking surface</b>	690mm x 360mm Glass ceramic thickness 6mm
<b>Power</b>	16000W (8 inductors of 2000W)
<b>Controls</b>	Touch-sensitive keyboard with joystick and displays
<b>Amperage</b>	24A
<b>Functions L'Original</b>	<p>The No Limit innovation is based on the principle: 1 inductor = 1 zone.</p> <p>8 coils / 8 cooking zones, controlled by touch-sensitive keypad with 2 joystick and 8 displays 4-digit.</p> <p>Adjustable power and temperature:                      - Power adjustment - 30 levels from 25 to 2000W per inductor                      - Temperature setting from 30°C to 250°C in 1°C steps</p> <p>Integrated programme function with 3 memory settings</p>
<b>Power supply</b>	380V Three-phase 50-60Hz Compatible with TERA WATT and SI-COTRONIC energy optimisers.
<b>Diameter saucepan</b>	Minimum 6 cm
<b>Standards</b>	Complies with current European standards on the safety of electrical equipment, EMC, Rohs and SGS
<b>Kit composition</b>	- 1 Cooktop - 2 Generator blocks - 1 Knob control - 1 Integration frame (736 x 406mm) - Connecting cables 1m50 (Custom connection cables available in 3, 5, 6, 8, 10, 12, 15m)

*L'Original*

**Features KNL8 Side by Side**

The No Limit KNL8 hob has 8 cooking zones with adjustable power or temperature. Each cooking zone can be controlled independently:

- 8 Cooking zones
- 8 Inductors
- 1 Control for each cooking zone


**ADVENTYS**

Route de Pagny - 21250 Seurre - France

[www.adventys.com](http://www.adventys.com)
[contact@adventys.com](mailto:contact@adventys.com)

T: 03.80.20.46.15

**Importante Note**

Adventys reserves the right to change specifications without notice.

