

Le Standard

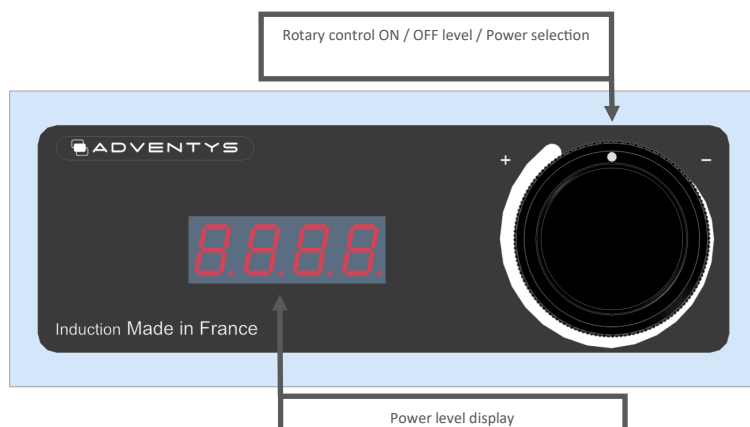
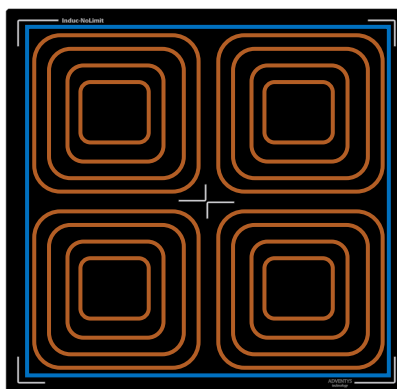
TECHNICAL SPECIFICATIONS

Cooking block dimensions	360mm x 360mm x 70.5mm To be integrated into the worktop
Cooking surface	360mm x 360mm Glass ceramic thickness 6mm
Power	4000W (4 inductors of 1000W)
Controls	Knob control with display
Amperage	6A
Functions Le standard	1 cooking zone / 4 coils, controlled by joystick and 4-digit display (one setting for 4 coils). Power adjustable - 20 levels available from 25 to 1000W per inductor
Power supply	380V Three-phase 50-60Hz Compatible with TERA WATT and SICOTRONIC energy optimisers.
Diameter saucepan	Minimum 6 cm
Standards	Complies with current European standards on safety of electrical equipment, EMC, Rohs and SGS.
Kit composition	- 1 Cooktop - 1 Generator block - 1 Knob control - 1 Integration frame (406 x 406mm) - Connecting cables 1m50 (Custom connection cables available in 3, 5, 6, 8, 10, 12, 15m)

Features KNLP

The KNLP No Limit hob has 1 power-adjustable cooking zone. This cooking zone has 4 inductors :

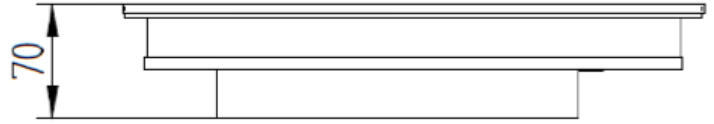
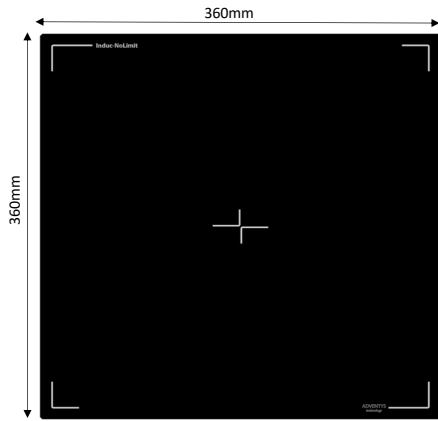
- 1 cooking zone
- 4 Inductors
- 1 Cooking zone control



ADVENTYS
Route de Pagny - 21250 Seurre - France
www.adventys.com
contact@adventys.com
T: 03.80.20.46.15

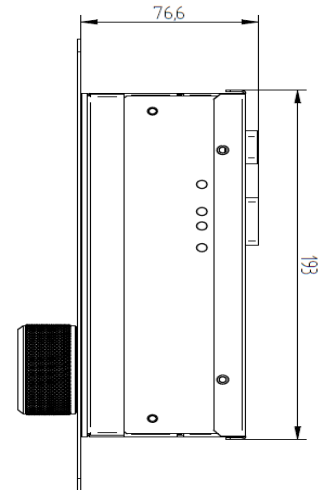
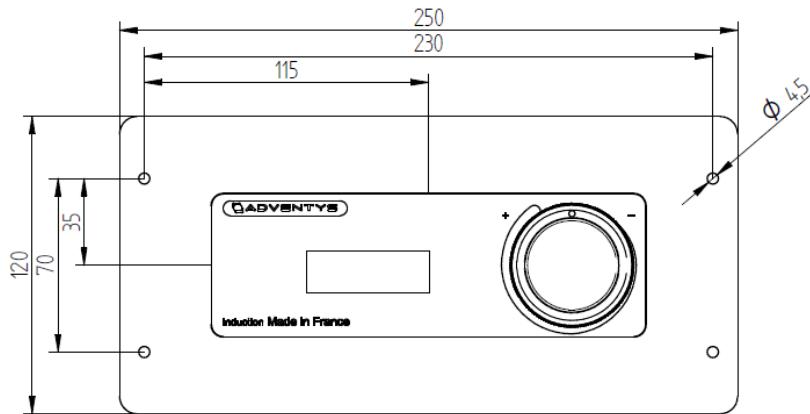
Note importante
Adventys se réserve le droit de modifier les caractéristiques sans préavis.

Cooking block dimensions



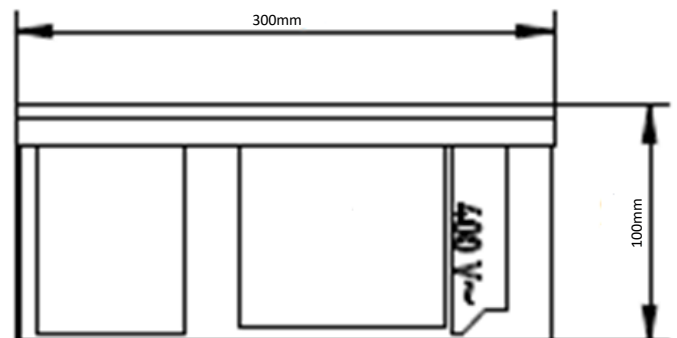
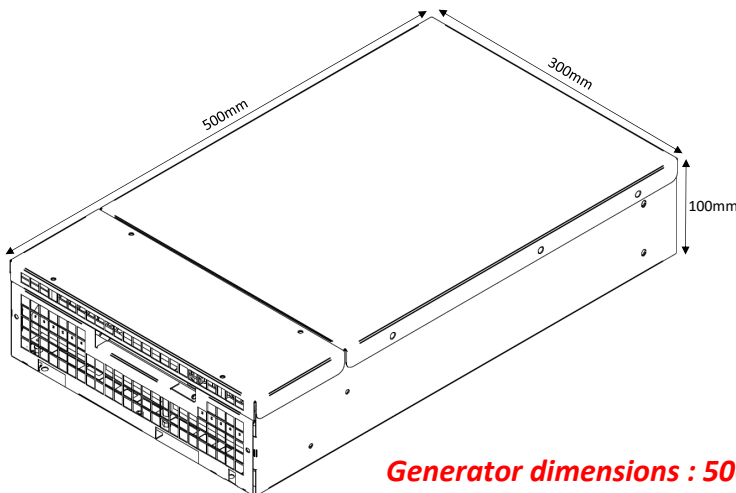
Integrated cooking unit dimensions : 366mm x 366mm

Dimensions Control panel



Integrated cooking unit dimensions : 215 x 88 mm + 4 holes R7mm

Generator dimensions



Generator dimensions : 500mm x 300mm x 100mm

ADVENTYS
 Route de Pagny - 21250 Seurre - France
www.adventys.com
contact@adventys.com
 T: 03.80.20.46.15

Note importante
 Adventys se réserve le droit de modifier les caractéristiques sans préavis.