

*Le Standard*

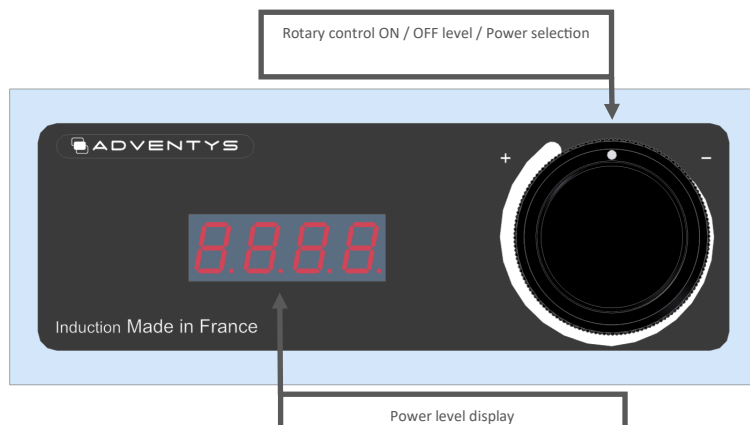
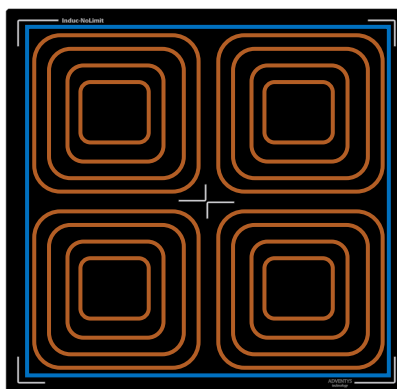
**TECHNICAL SPECIFICATIONS**

<b>Cooking block dimensions</b>	360mm x 360mm x 70.5mm To be integrated into the worktop
<b>Cooking surface</b>	360mm x 360mm Glass ceramic thickness 6mm
<b>Power</b>	8000W (4 inductors of 2000W)
<b>Controls</b>	Knob control with display
<b>Amperage</b>	12A
<b>Functions Le standard</b>	1 cooking zone / 4 coils, controlled by joystick and 4-digit display (one setting for 4 coils).  Power adjustable - 30 levels available from 25 to 2000W per inductor
<b>Power supply</b>	380V Three-phase 50-60Hz Compatible with TERA WATT and SICOTRONIC energy optimisers.
<b>Diameter saucepan</b>	Minimum 6 cm
<b>Standards</b>	Complies with current European standards on safety of electrical equipment, EMC, Rohs and SGS.
<b>Kit composition</b>	- 1 Cooktop - 1 Generator block - 1 Knob control - 1 Integration frame (406 x 406mm) - Connecting cables 1m50  (Custom connection cables available in 3, 5, 6, 8, 10, 12, 15m)

**Features KNLP**

The KNLP No Limit hob has 1 power-adjustable cooking zone. This cooking zone has 4 inductors :

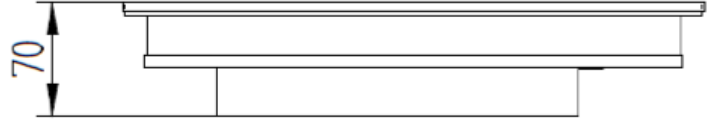
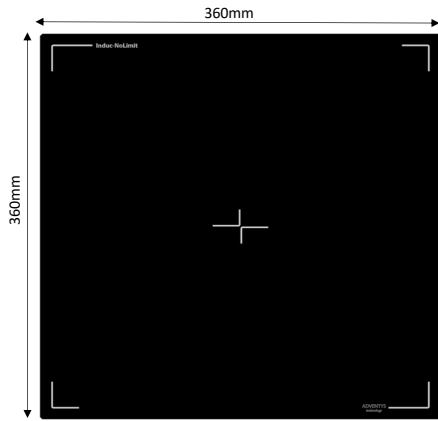
- 1 cooking zone
- 4 Inductors
- 1 Cooking zone control



**ADVENTYS**  
Route de Pagny - 21250 Seurre - France  
www.adventys.com  
contact@adventys.com  
T: 03.80.20.46.15

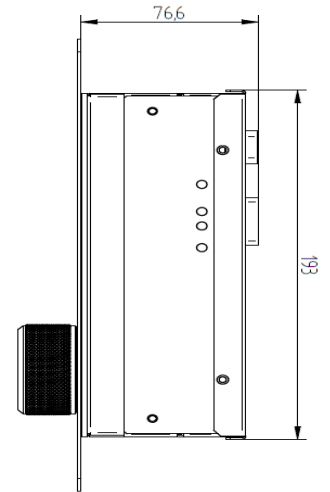
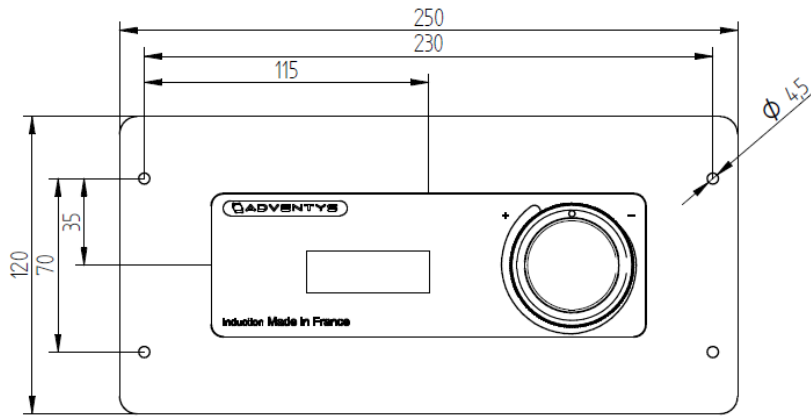
**Note importante**  
Adventys se réserve le droit de modifier les caractéristiques sans préavis.

*Cooking block dimensions*



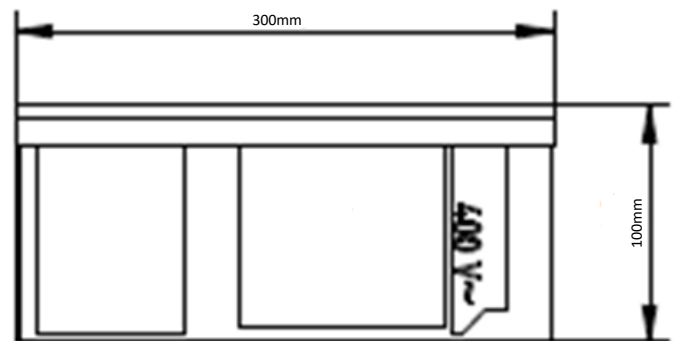
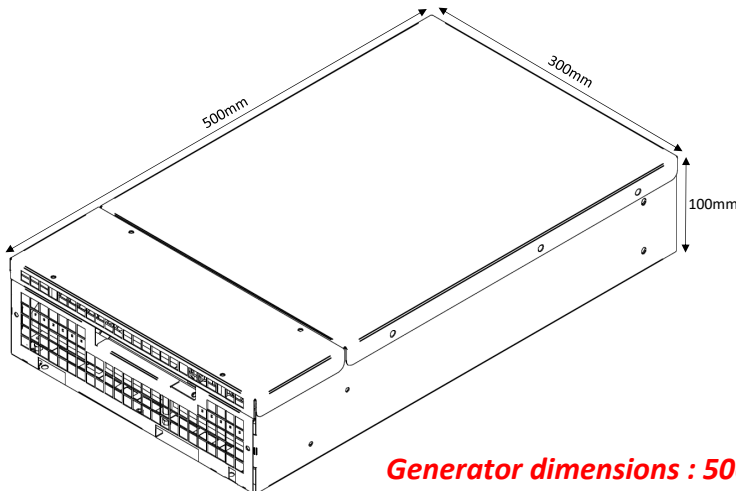
**Integrated cooking unit dimensions : 366mm x 366mm**

*Dimensions Control panel*



**Integrated cooking unit dimensions : 215 x 88 mm + 4 trous R7mm**

*Generator dimensions*



**Generator dimensions : 500mm x 300mm x 100mm**

**ADVENTYS**  
 Route de Pagny - 21250 Seurre - France  
[www.adventys.com](http://www.adventys.com)  
[contact@adventys.com](mailto:contact@adventys.com)  
 T: 03.80.20.46.15

**Note importante**  
 Adventys se réserve le droit de modifier les caractéristiques sans préavis.