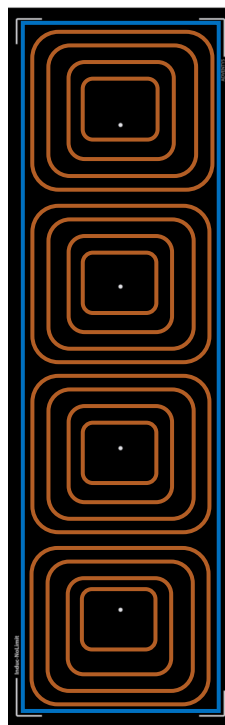


TECHNICAL SPECIFICATIONS

| | |
|---------------------------------|---|
| Cooking block dimensions | 690mm x 220mm x 70.5mm To be integrated into the worktop |
| Cooking surface | 690mm x 220mm Glass ceramic thickness 6mm |
| Power | 4000W (4 inductors of 1000W) |
| Controls | Knob control with display |
| Amperage | 6A |
| Functions Click Clack | 1 cooking zone / 4 coils, controlled by 1 joystick and 4-digit display (a single setting for 4 coils). Adjustable power and temperature : Power control - 20 levels from 25 to 1000W per inductor - Temperature setting from 30°C to 250° C in 1°C steps Switch from power mode to temperature mode by turning the knob twice |
| Power supply | 380V Three-phase 50-60Hz Compatible with TERA WATT and SICOTRONIC energy optimisers. |
| Diameter saucepan | Minimum 6 cm |
| Standards | Complies with current European standards on safety of electrical equipment, EMC, Rohs and SGS. |
| Kit composition | - 1 Cooktop - 1 Generator block - 1 Commande - 1 Knob control (736 x 266mm) - Connecting cables 1m50 (Custom connection cables available in 3, 5, 6, 8, 10, 12, 15m) |

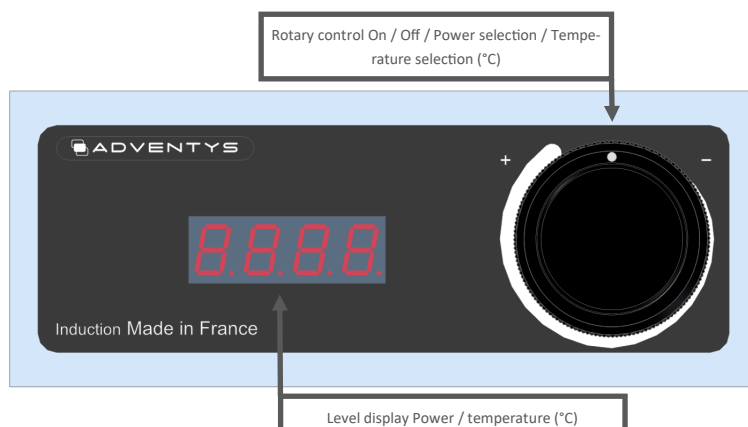
Click Clack



Features KNLPT

The KNLPT No Limit hob has 1 cooking zone with adjustable power or temperature. This cooking zone has 4 inductors :

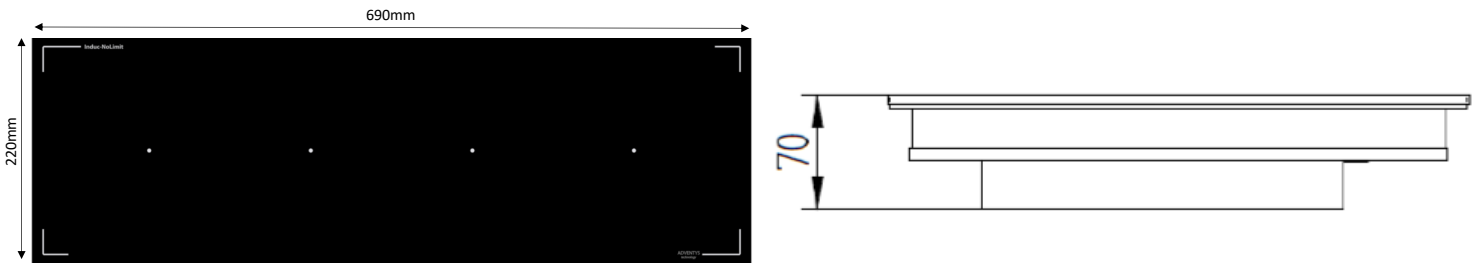
- 1 cooking zone
- 4 Inductors
- 1 Cooking zone control



ADVENTYS
 Route de Pagny - 21250 Seurre - France
www.adventys.com
contact@adventys.com
 T: 03.80.20.46.15

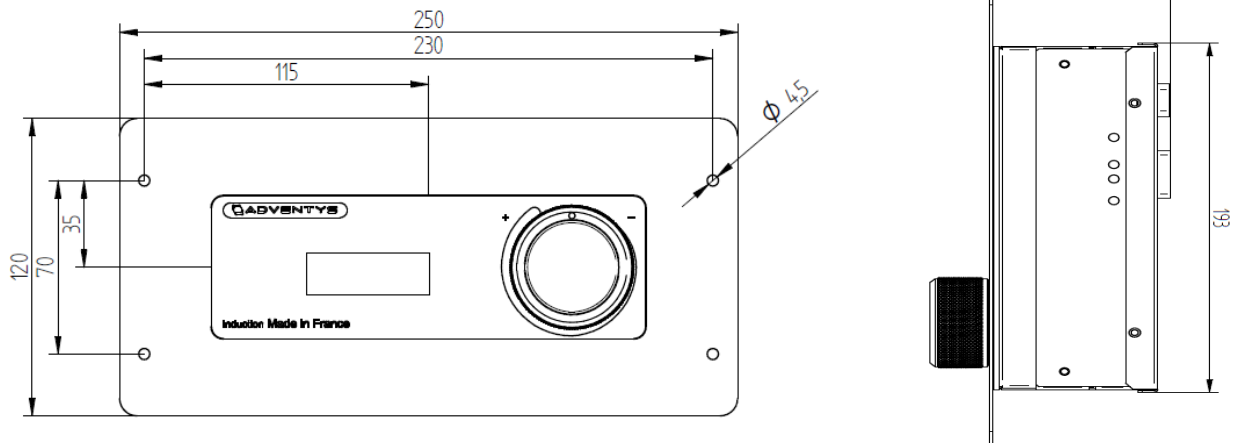
Important note
 Adventys reserves the right to change specifications without notice.

Cooking block dimensions



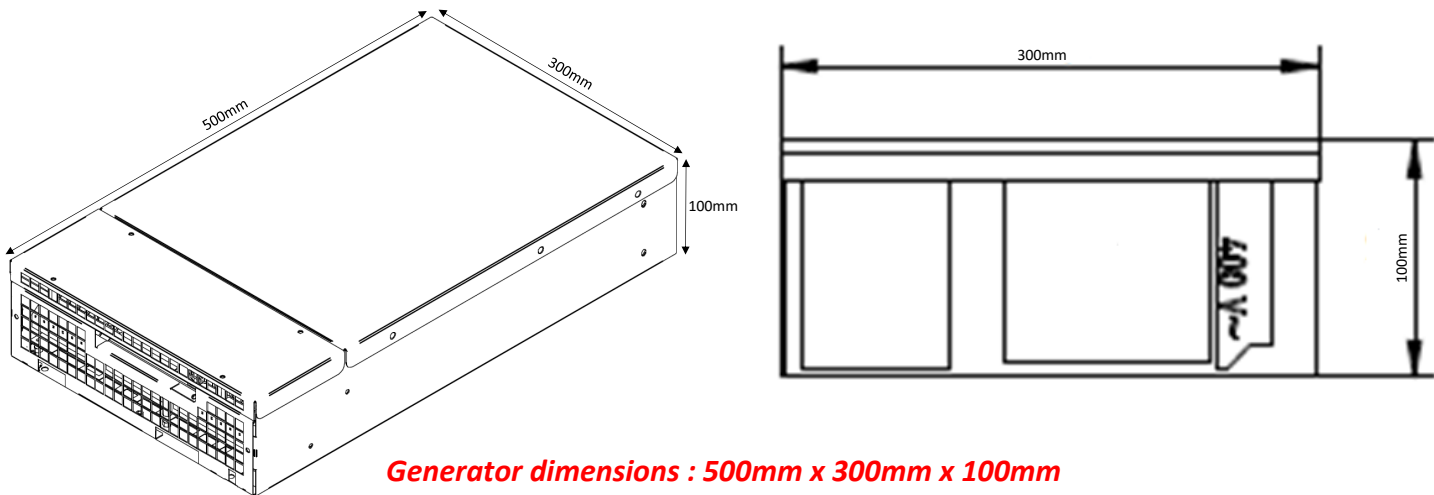
Integrated cooking unit dimensions : 696mm x 226mm

Dimensions Control panel



Integrated cooking unit dimensions : 215 x 88 mm + 4 holes R7mm

Generator dimensions



Generator dimensions : 500mm x 300mm x 100mm

ADVENTYS
 Route de Pagny - 21250 Seurre - France
www.adventys.com
contact@adventys.com
 T: 03.80.20.46.15

Important note
 Adventys reserves the right to change specifications without notice.