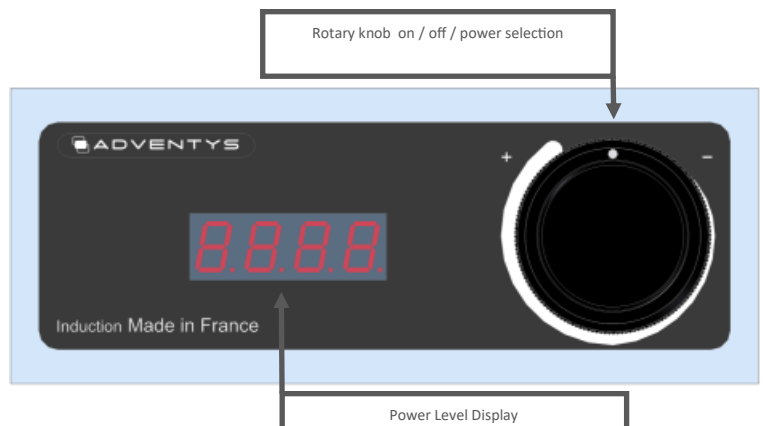
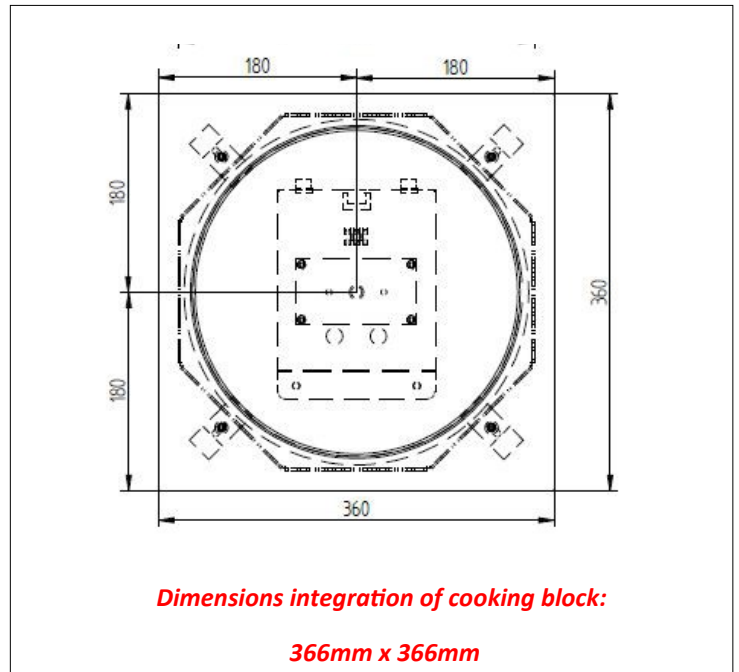
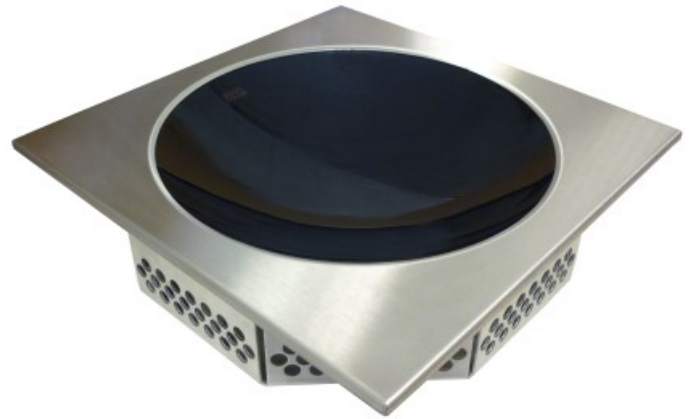


TECHNICAL FEATURES

Materials	Stainless steel and vitroceramic Wok glass
Cooking block dimension	360x360mm
Power	6000W
Control panel	360° knob control and power display on 4 digit display
Amperage	10A per phase for 6000W
Functions	Adjustable in power from 50 to 6000W 20 levels available
Power supply	380V Three phases 50-60Hz Compatible with TERA WATT and SI-COTRONIC energy optimizer.
Weight	10kg / 22 lbs
Standards	Complies with European standards for safety of electrical appliances, for EMC, for Rohs
Composition of the kit	<ul style="list-style-type: none"> - 1 Cooking block - 1 Generator block - 1 Control Block - 1 Integration Framework - Connection cables 1m50 (Custom connection cables available in 3, 5, 6, 8, 10, 12, 15m)
Details	Designed and manufactured in France

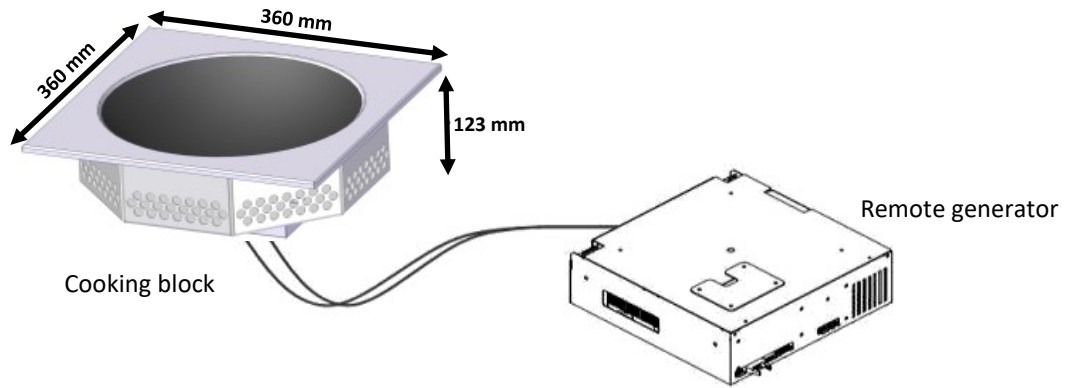


ADVENTYS
 Route de Pagny - 21250 Seurre - France
 www.adventys.com
 sales@adventys.com
 T: +33 3 80 20 46 15

Important note

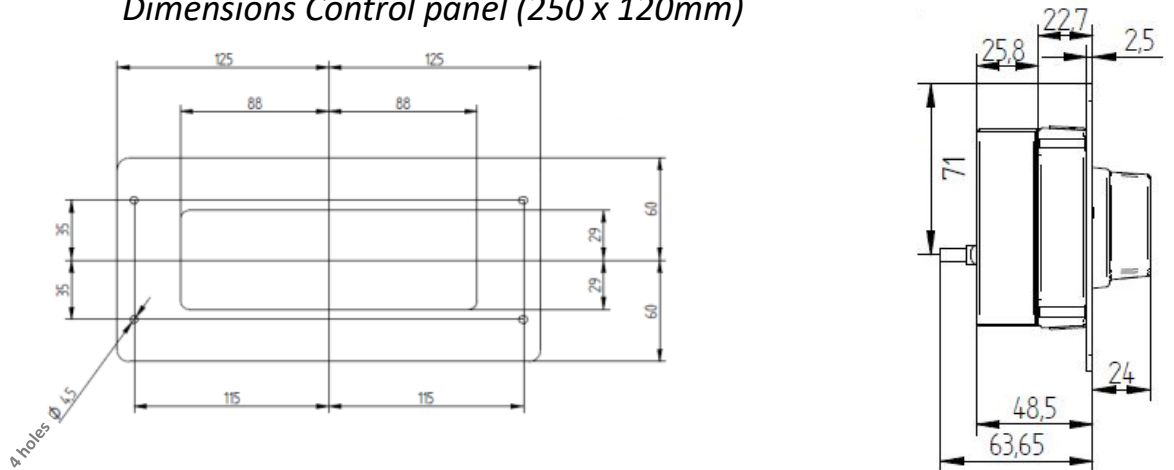
Adventys reserves the right to modify specifications without notice.

Assembly of the kit in the "remote generator" version



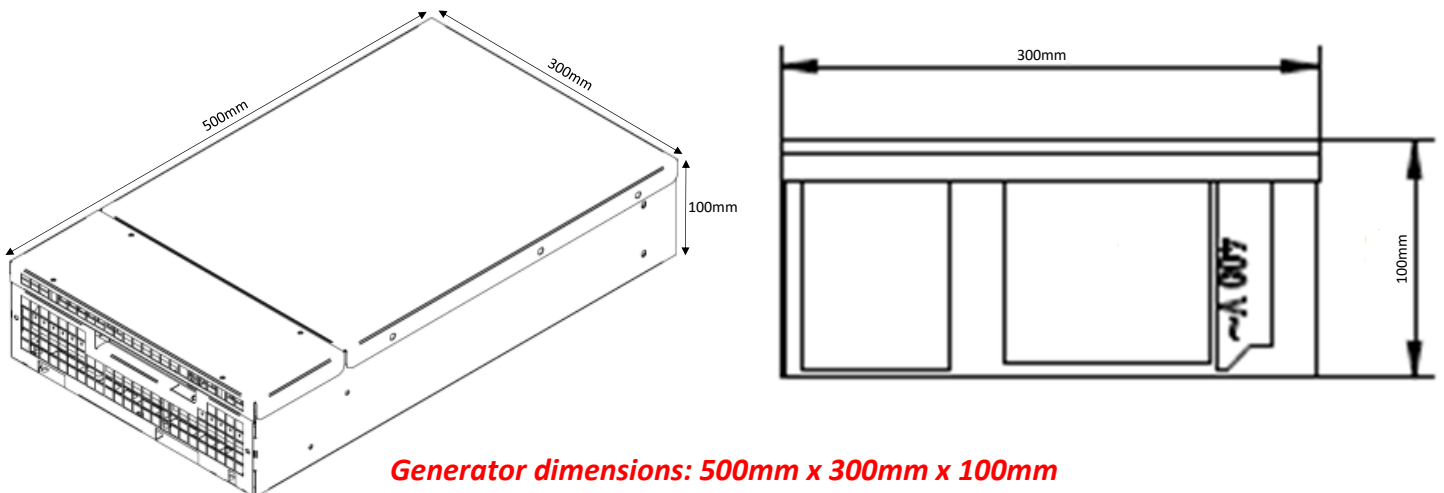
You can remoted the generator from: 3m / 5m / 6m / 8m / 10m / 12m or 15m

Dimensions Control panel (250 x 120mm)



Dimensions of the built-in control 215 x 88 mm + 4 trous R4,5mm

Generator dimensions



Generator dimensions: 500mm x 300mm x 100mm

ADVENTYS
 Route de Pagny - 21250 Seurre - France
www.adventys.com
sales@adventys.com
 T: +33 3 80 20 46 15

Important note

Adventys reserves the right to modify specifications without notice.