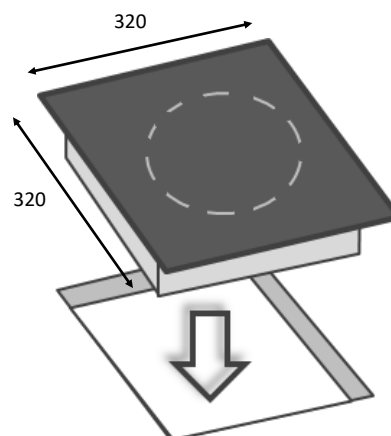
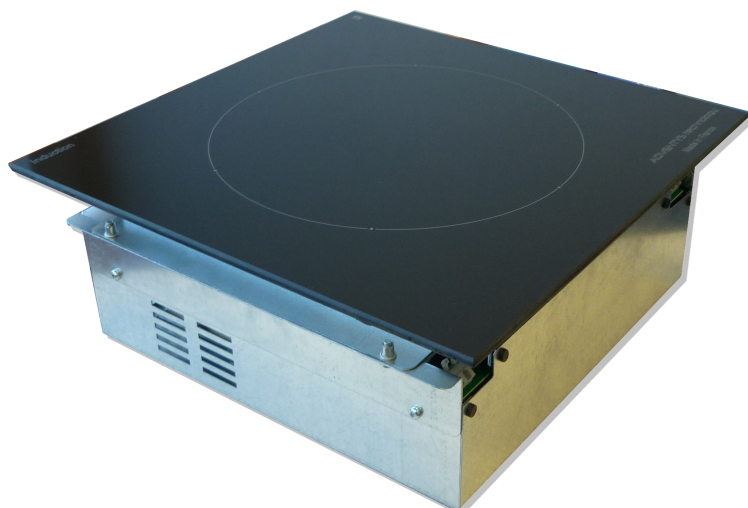
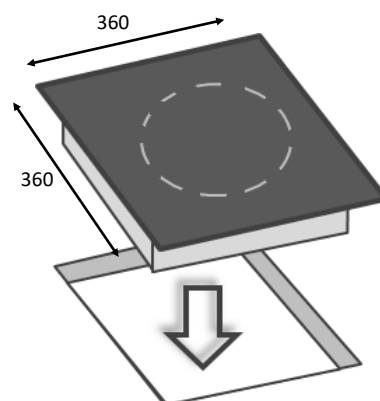


## TECHNICAL FEATURES

<b>External structure</b>	Stainless steel + vitroceramic glass
<b>Dimensions</b>	360mm x 360mm - 320mm x 320mm
<b>Power</b>	4000W - 6000W
<b>Control panel</b>	<p><b>Joystick control:</b> on/off and 360° manual power selection with power display in levels between 1 and 20.</p> <p><b>Possibility of control by keypad with sensitive keys</b> (maximum cable length 1.5m) and joystick + indicator light only.</p> <p>Option: control of an additional fan motor powered by 230V (phase + neutral).</p>
<b>Amp</b>	6A per phase for 4000W 10A per phase for 6000W
<b>Power supply</b>	<p>Voltage: 360—440V interphase Frequency: 50Hz or 60Hz</p> <p>Compatible for energy optimizer control (Terawatt or Sicotronic)</p> <p>Omnipolar cut-off to be carried out by integrator of the kit in the cabinet.</p>
<b>Weight</b>	10 kg / 22 lbs
<b>Standards</b>	Complies with European standards for safety of electrical appliances, for EMC, for Rohs standards.
<b>Options &amp; Details</b>	Compatible with TERA WATT & SICO-TRONIC energy optimizer. Designed and made in France.



Cut out dimensions 326 x 326 mm



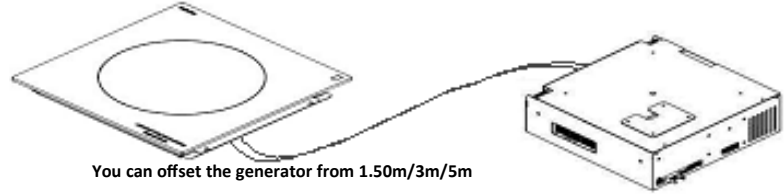
Cut out dimensions 366 x 366 mm

Our kits are available in a "deported" or "integrated" generator version under the glass vitroceramic

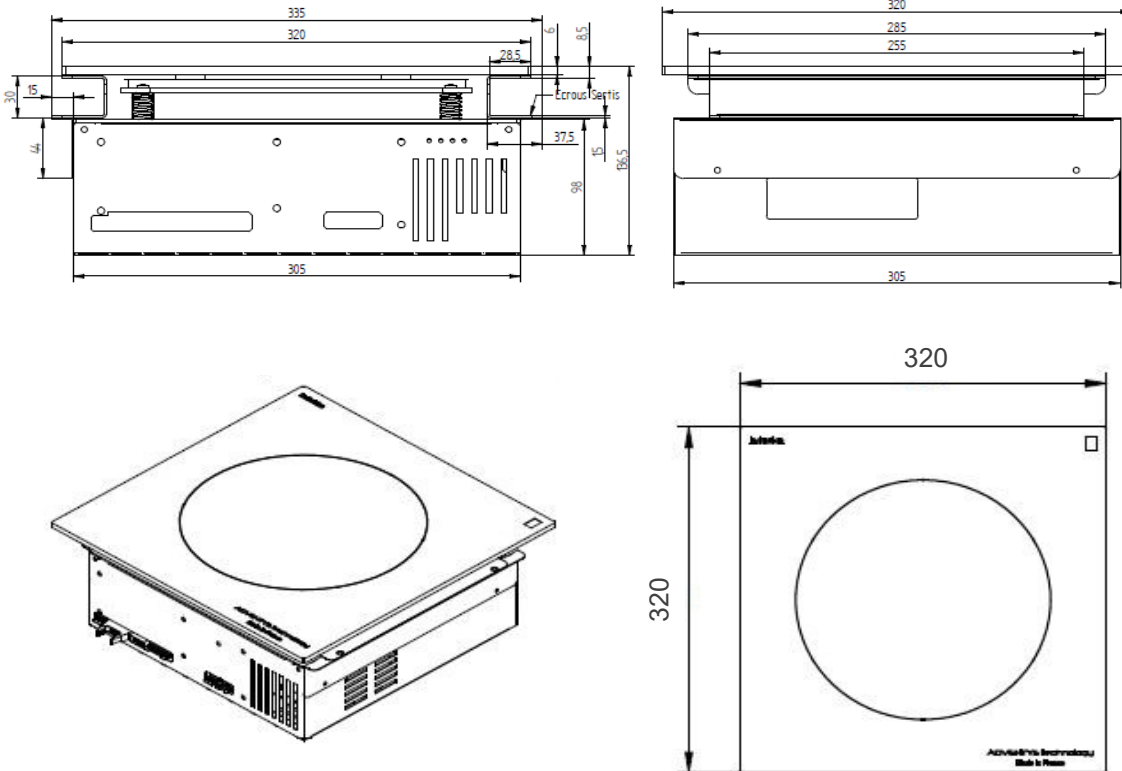
"Built-in generator" version



"Deported generator" version



### Built-in generator version 320 x 320



**ADVENTYS**  
Route de Pagny - 21250 Seurre - France  
[www.adventys.com](http://www.adventys.com)  
[sales@adventys.com](mailto:sales@adventys.com)  
T: +33 3 80 20 46 15

Important note

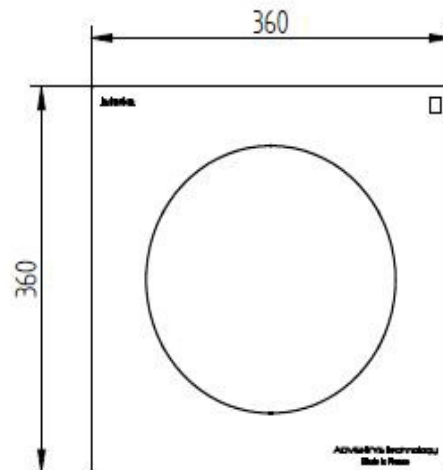
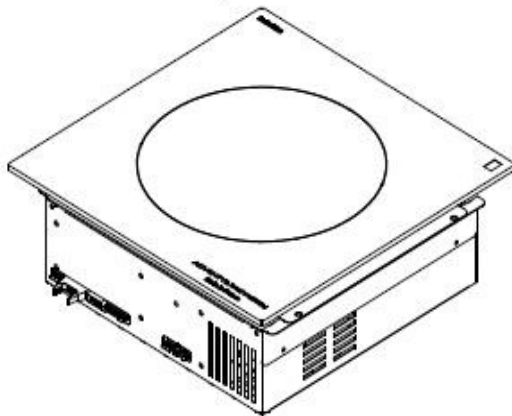
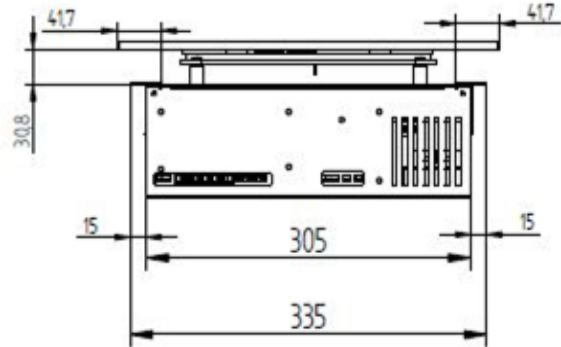
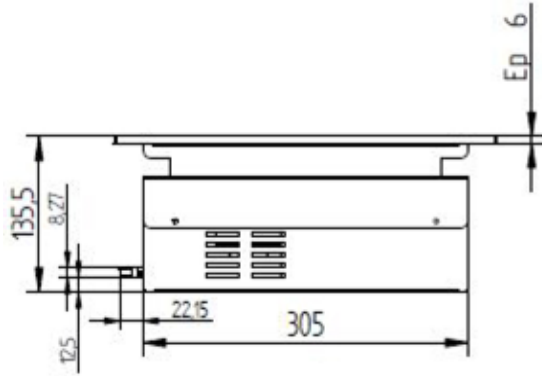
Adventys reserves the right to change specifications without notice.

Intégré 360x360  
 Intégré 320x320  
 Déporté 360x360  
 Déporté 320x320

4000 W  
 ADV1704  
 ADV1863  
 ADV1705  
 ADV1888

6000 W  
 ADV1706  
 ADV1811  
 ADV2026  
 ADV1887

Built-in generator version 360 x 360



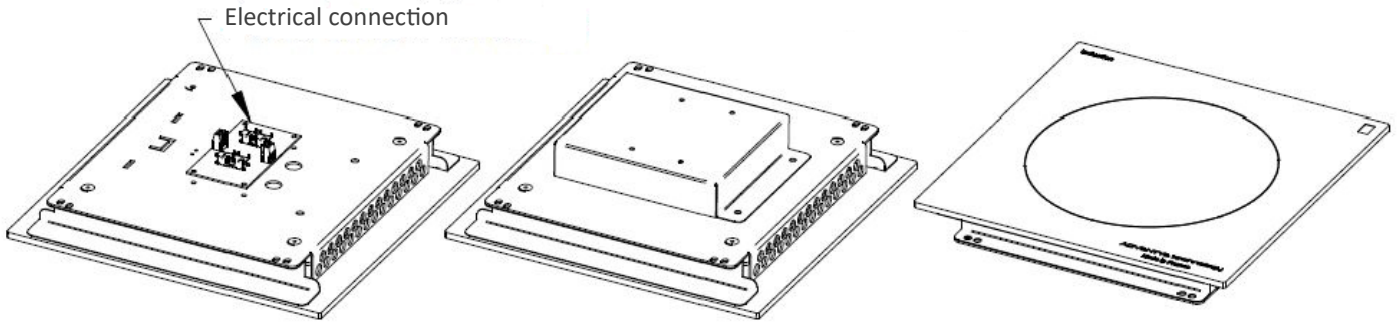
**ADVENTYS**  
 Route de Pagny - 21250 Seurre - France  
[www.adventys.com](http://www.adventys.com)  
[sales@adventys.com](mailto:sales@adventys.com)  
 T: +33 3 80 20 46 15

*Important note*

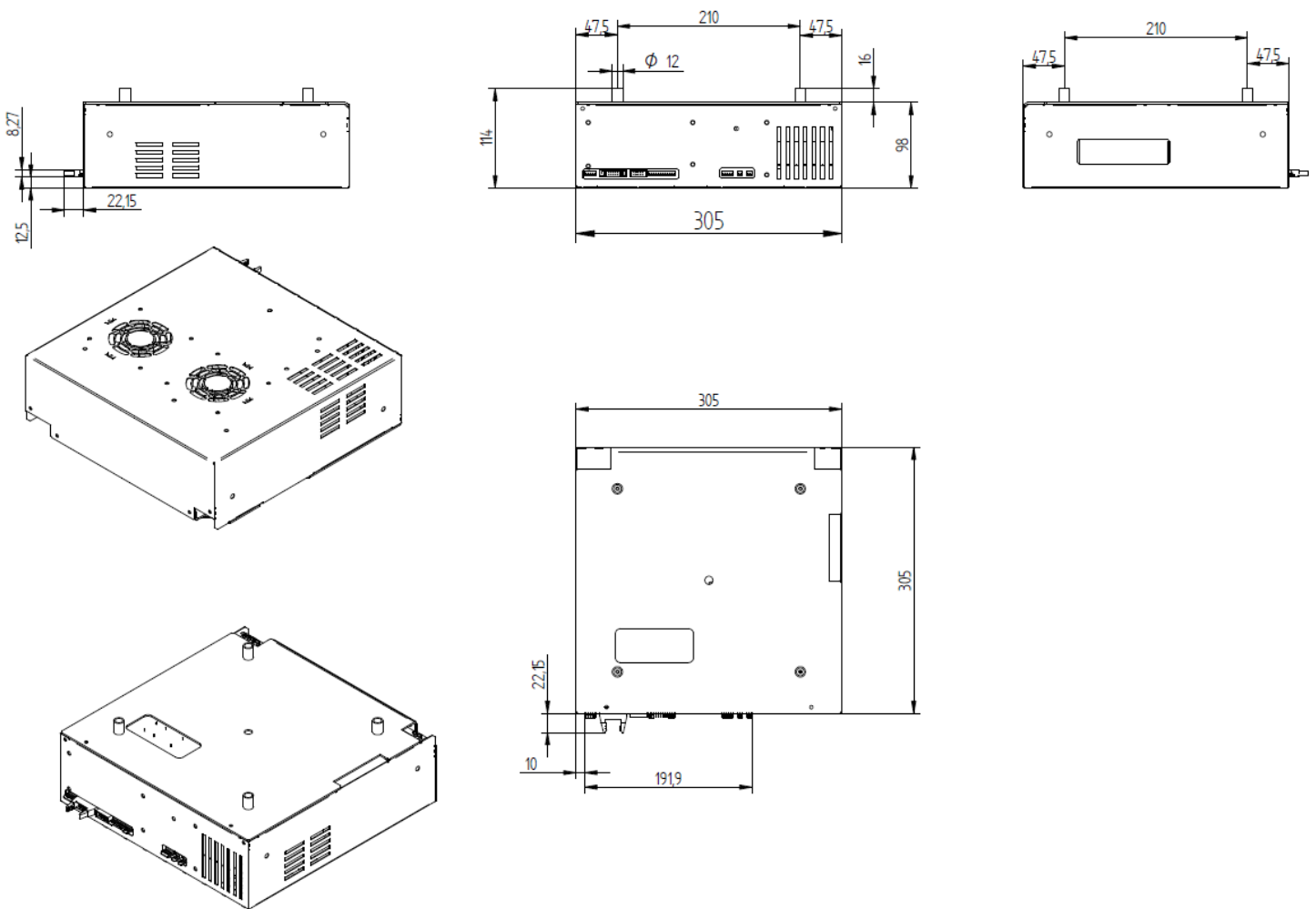
*Adventys reserves the right to change specifications without notice.*



## Inductor + vitroc ceramic glass deported generator version



## Generator only (deported generator version)



**ADVENTYS**  
Route de Pagny - 21250 Seurre - France  
[www.adventys.com](http://www.adventys.com)  
[sales@adventys.com](mailto:sales@adventys.com)  
T: +33 3 80 20 46 15

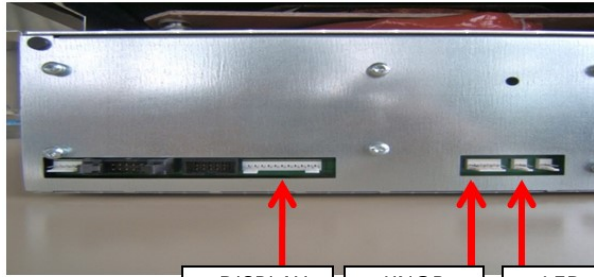
Important note

Adventys reserves the right to change specifications without notice.

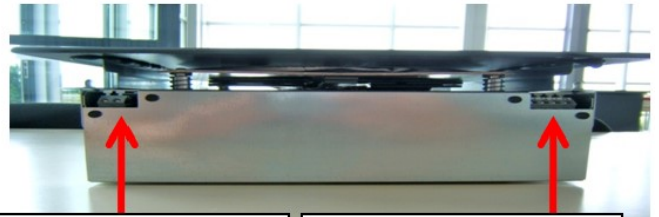
Intégré 360x360  
Intégré 320x320  
Déporté 360x360  
Déporté 320x320

4000 W  
ADV1704  
ADV1863  
ADV1705  
ADV1888

6000 W  
ADV1706  
ADV1811  
ADV2026  
ADV1887

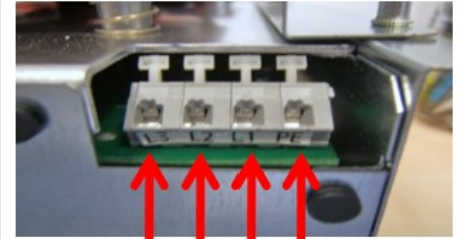


DISPLAY    KNOB    LED



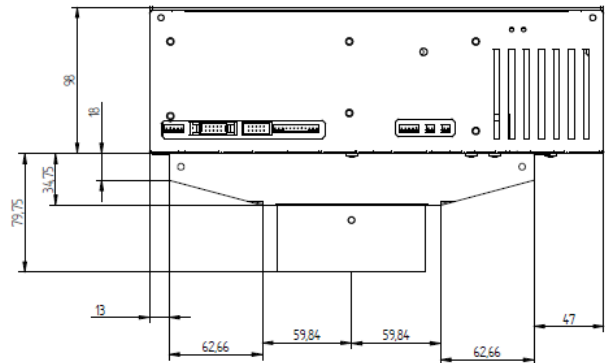
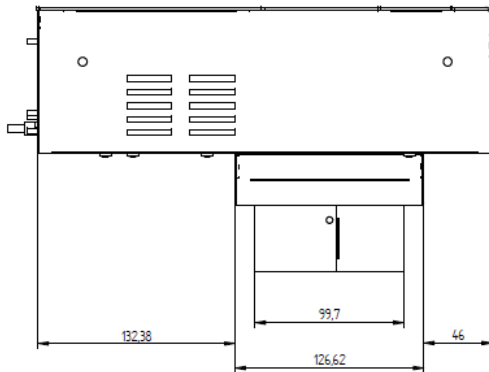
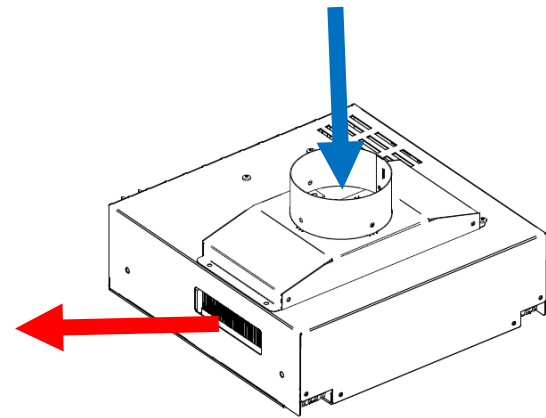
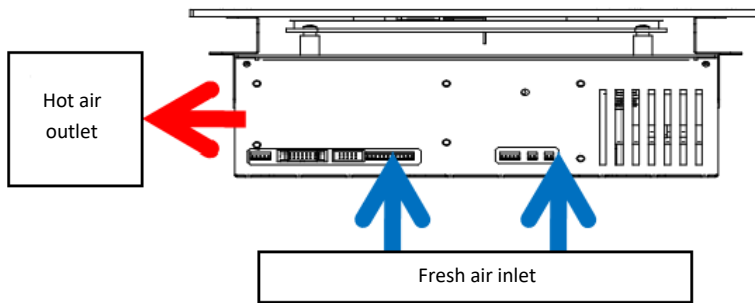
OUTDOOR FAN 230V    THREE-PHASE CONNECTION

The study of the mechanical and thermal integration is to be built in partnership with the manufacturer of the cooking cabinet.  
(Subject to manufacturer's warranty).  
The kit is ready to assemble by the furniture manufacturer or Adventys can assemble it according to the manufacturer's specifications.



Phases  
(Be careful, no neutrals)    ground wire

**Kits require a fresh air inlet (blue arrows). An optional air inlet funnel is available (SAV1832-A) and allows a flexible duct with a diameter of 100 to be connected. The hot air outlet is symbolized by a red arrow.**



**ADVENTYS**  
Route de Pagny - 21250 Seurre - France  
www.adventys.com  
sales@adventys.com  
T: +33 3 80 20 46 15

Important note

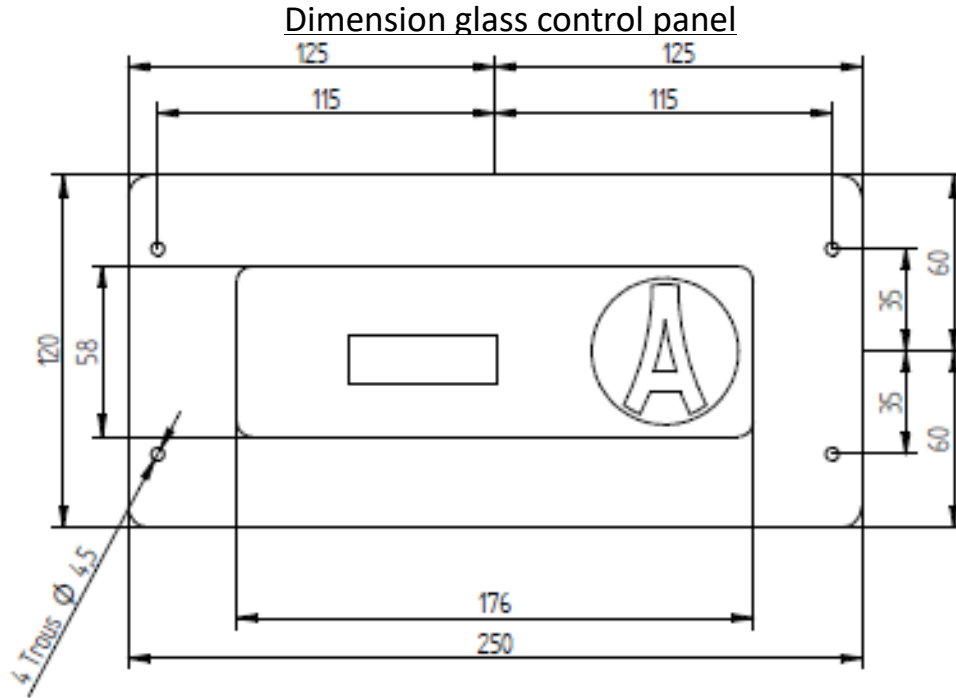
Adventys reserves the right to change specifications without notice.





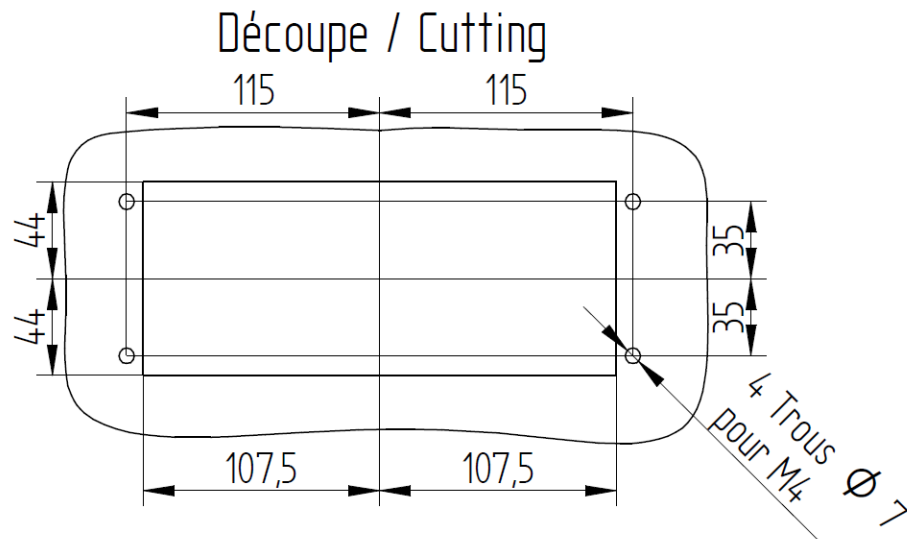
## Control panel with joystick

**Built-in dimensions : 215 x 88 mm 4 holes R7mm**



## Integration plan for the control panel

**Cutting Dimensions 215x88mm**

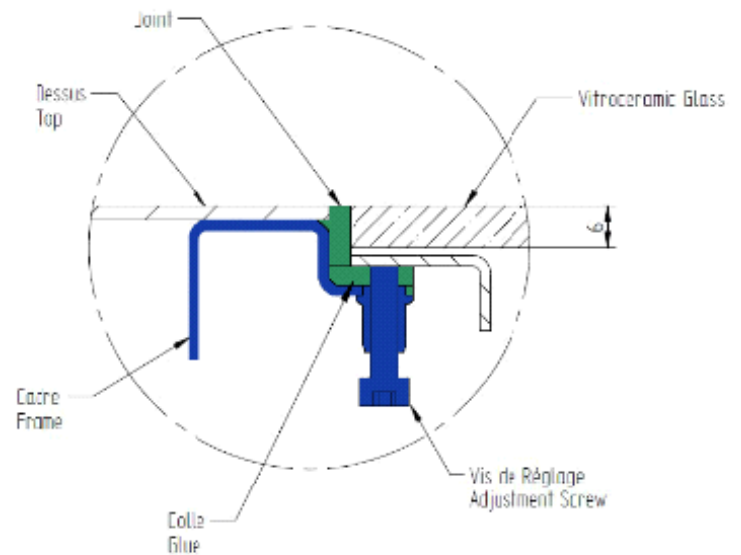
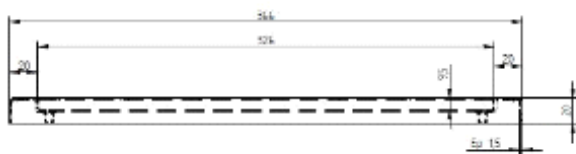
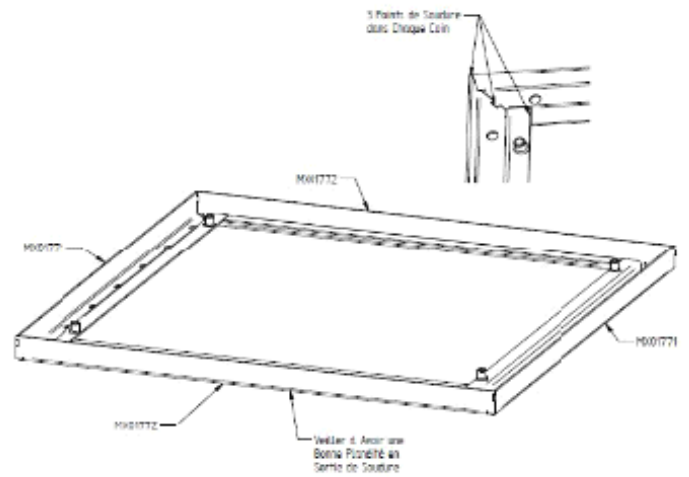
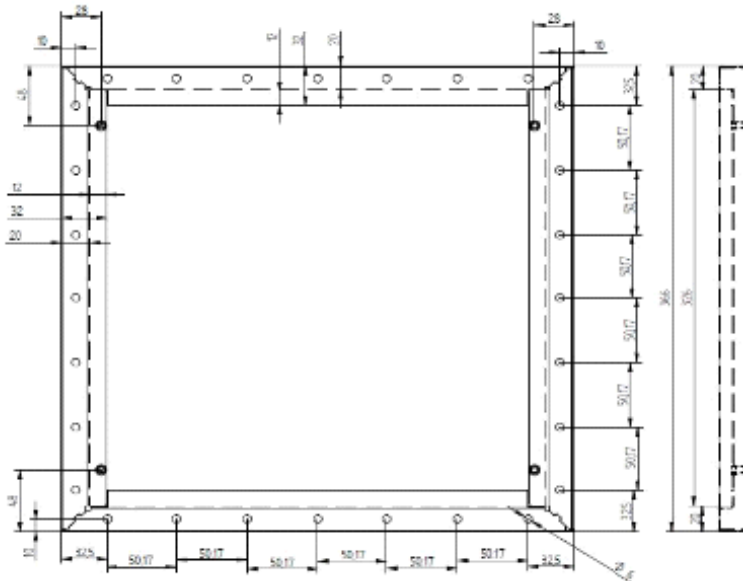


Intégré 360x360  
Intégré 320x320  
Déporté 360x360  
Déporté 320x320

4000 W  
ADV1704  
ADV1863  
ADV1705  
ADV1888

6000 W  
ADV1706  
ADV1811  
ADV2026  
ADV1887

## Stainless steel frame for integration (320x320 version)



**ADVENTYS**  
Route de Pagny - 21250 Seurre - France  
[www.adventys.com](http://www.adventys.com)  
[sales@adventys.com](mailto:sales@adventys.com)  
T: +33 3 80 20 46 15

Important note

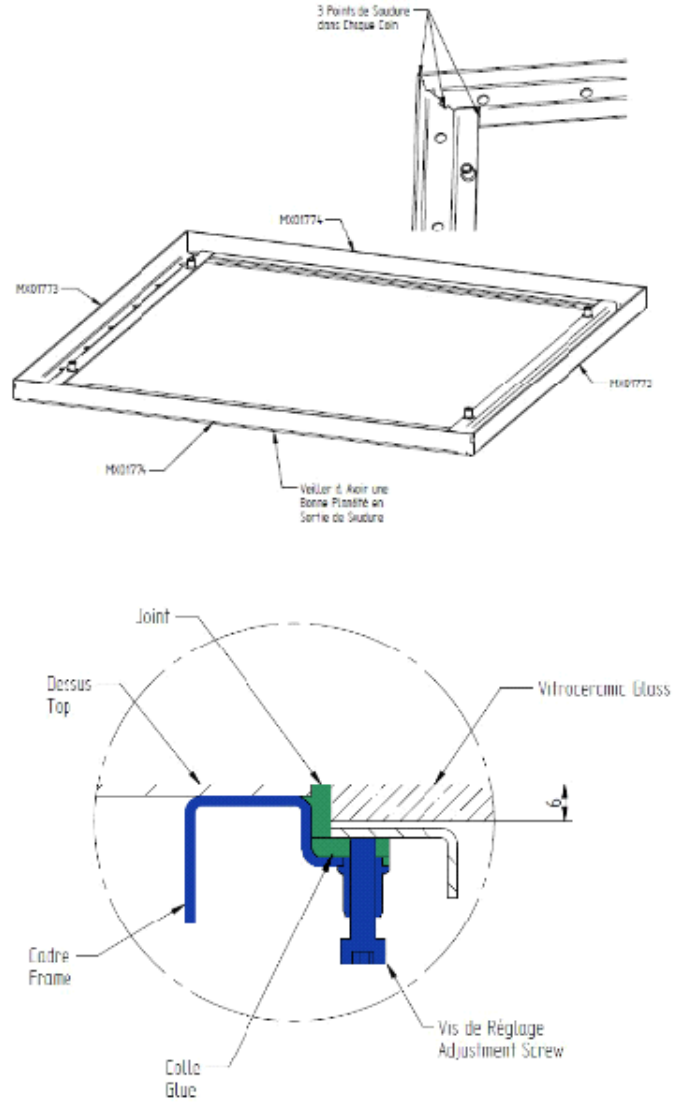
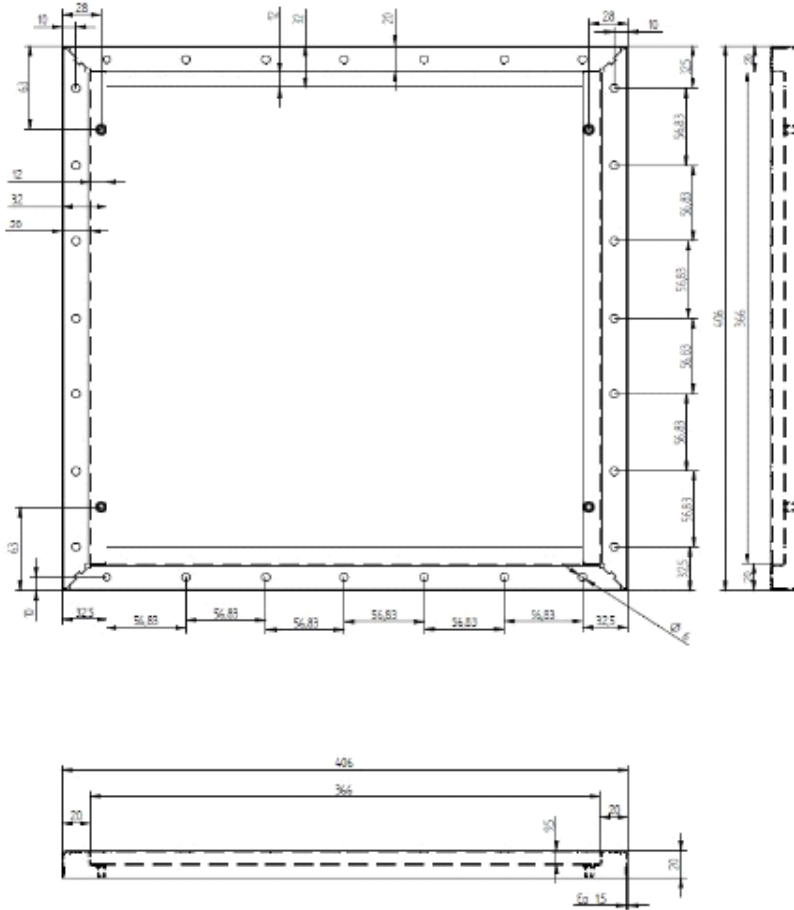
Adventys reserves the right to change specifications without notice.

Intégration 360x360  
 Intégration 320x320  
 Déport 360x360  
 Déport 320x320

4000 W  
 ADV188/1704  
 ADV188/1863  
 ADV188/1705  
 ADV188/1888

6000 W  
 ADV188/1706  
 ADV188/1811  
 ADV188/2026  
 ADV188/1887

## Stainless steel frame for integration (360x360 version)



**ADVENTYS**  
 Route de Pagny - 21250 Seurre - France  
[www.adventys.com](http://www.adventys.com)  
[sales@adventys.com](mailto:sales@adventys.com)  
 T: +33 3 80 20 46 15

Important note

Adventys reserves the right to change specifications without notice.