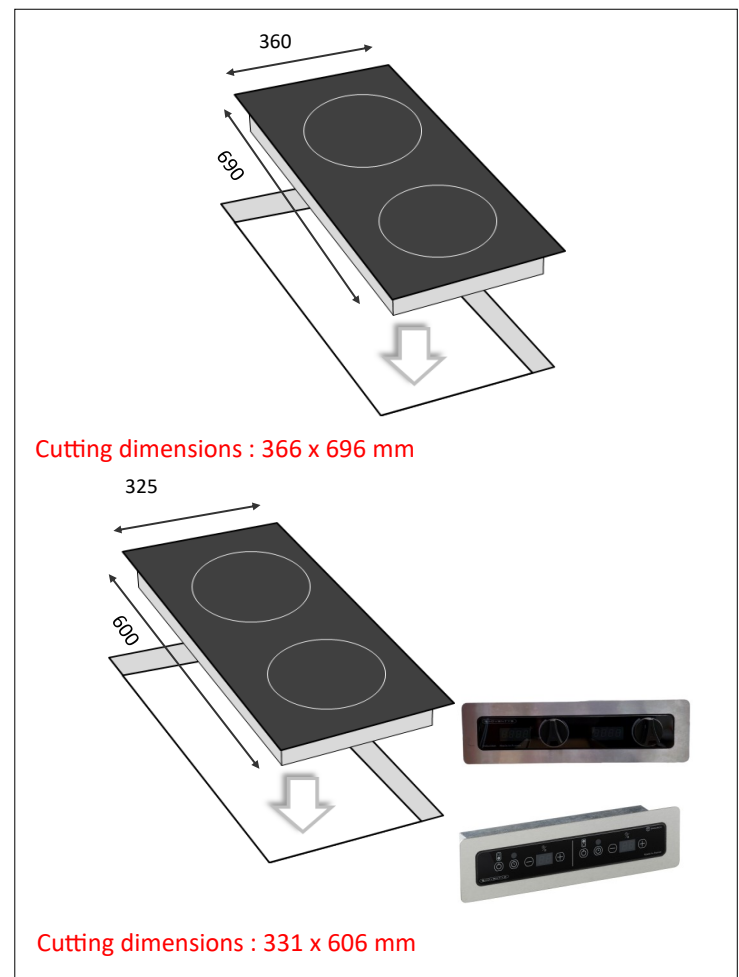
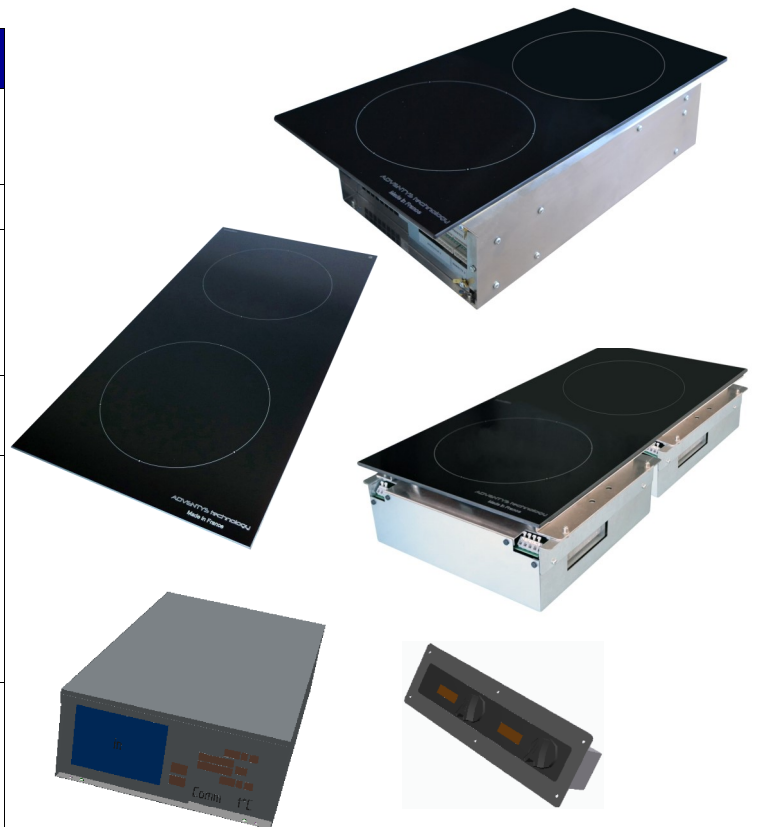


	8000 W	10.000 W	12.000 W
Integrated generator 360x690	ADV1677	ADV1689	ADV1688
Integrated generator 325x600	ADV1665	ADV1885	ADV1667
Deported generator 360x690	ADV1708	ADV1884	ADV1709
Deported generator 325x600	ADV1666	ADV1886	ADV1668

TECHNICAL FEATURES	
External structure	Stainless steel and glass-ceramic
Dimensions	690mm x 360mm or 600mm x 325mm
Power	8000W (2 x 4000W) OR 12 000W (2 x 6000W) OR 10 000 W (1x 4000W + 1x 6000W)
Cooking surface	Vitroceramic glass.
Control panel	Control block joysticks + displays: 2 buttons for M/A and 360° manual power adjustment with display of power levels between 1 and 20 on 2 4-digit displays. Possibility of control by touch buttons and joysticks + indicators only.
Amp	12A per phases for KTi2 8000 16A per phases for KTi2 10000 20A per phases for KTi2 12000
Functions	Real-time performance optimization and safety control with embedded intelligence (FPGA). Mini pan diameter: 110mm Cable length DEPORTE version 1.5 or 3 or 5 or 8 or 10 or 12 or 15M Comes cordless.
Power supply	Voltage: 360—440V interphase Frequency: 50Hz or 60Hz Compatible for energy optimizer control (Terawatt or Sicotronic) Omnipolar cut-off to be carried out by
Weight	30 kg / 66,1 lbs.
Standards	Complies with European standards for safety of electrical appliances,.
Options & Details	Designed and Made in France



ADVENTYS
Route de Pagny - 21250 Seurre - France
www.adventys.com
sales@adventys.com
T: +33 3 80 20 46 15

Important note

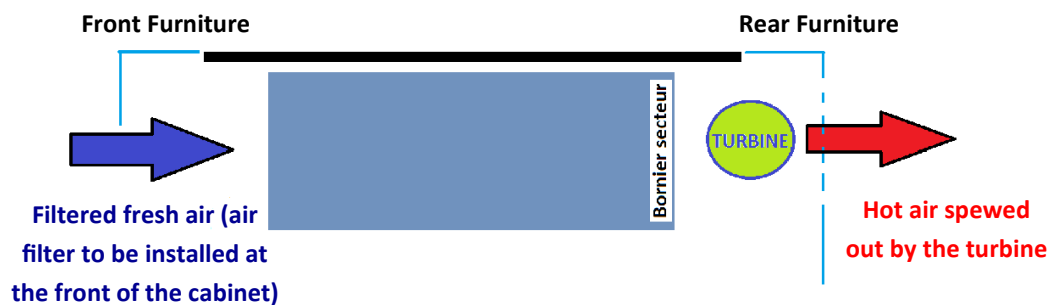
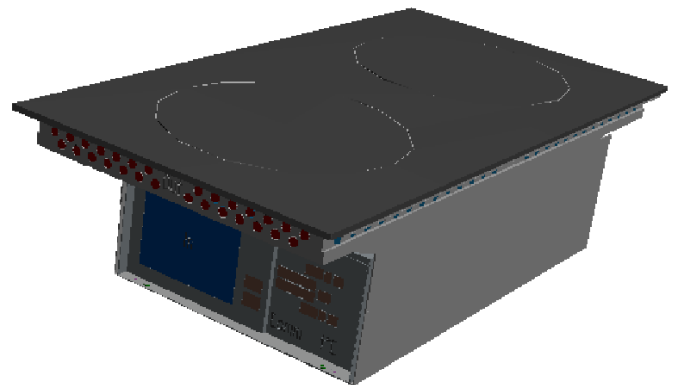
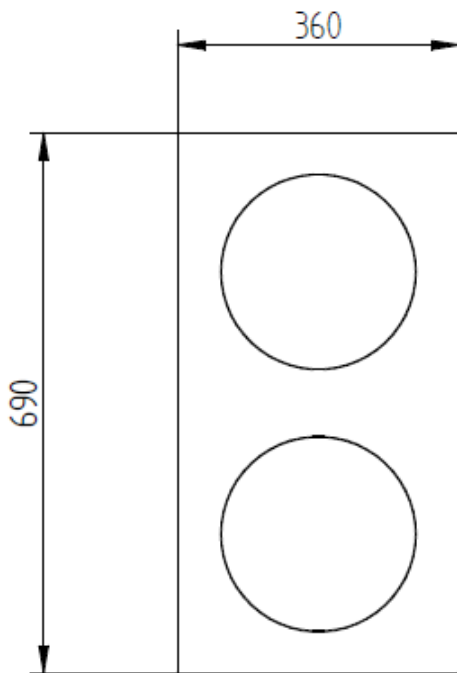
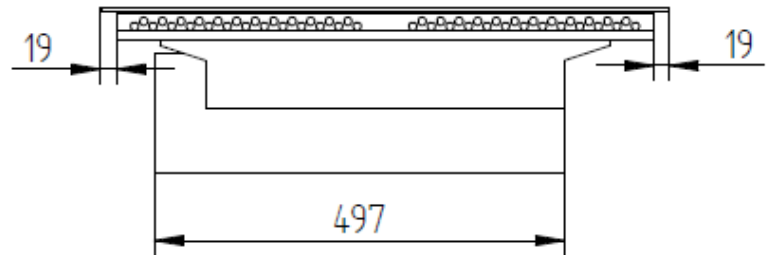
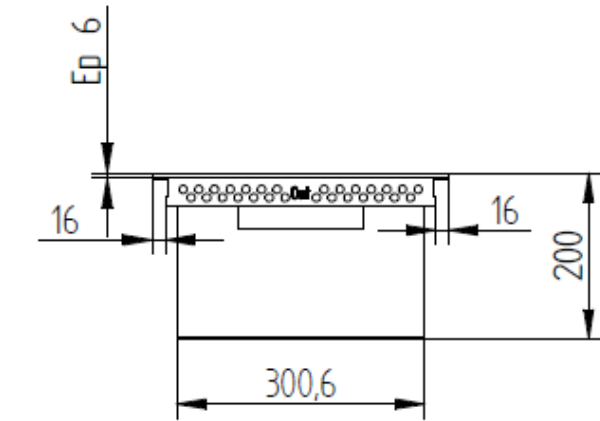
Adventys reserves the right to modify specifications without notice.



	8000 W	10.000 W	12.000 W
Integrated generator 360x690	ADV1677	ADV1689	ADV1688
Integrated generator 325x600	ADV1665	ADV1885	ADV1667
Deported generator 360x690	ADV1708	ADV1884	ADV1709
Deported generator 325x600	ADV1666	ADV1886	ADV1668

BUILT-IN GENERATOR VERSION (with vitroceramic glass 360mm x 690mm)

Built-in dimensions : 366 x 696 mm



ADVENTYS
 Route de Pagny - 21250 Seurre - France
 www.adventys.com
 sales@adventys.com
 T: +33 3 80 20 46 15

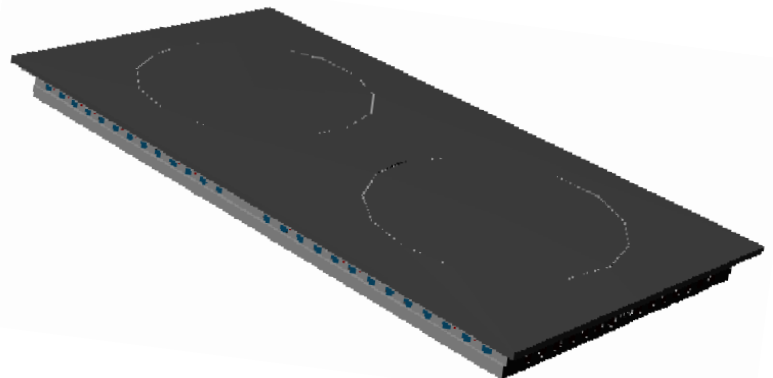
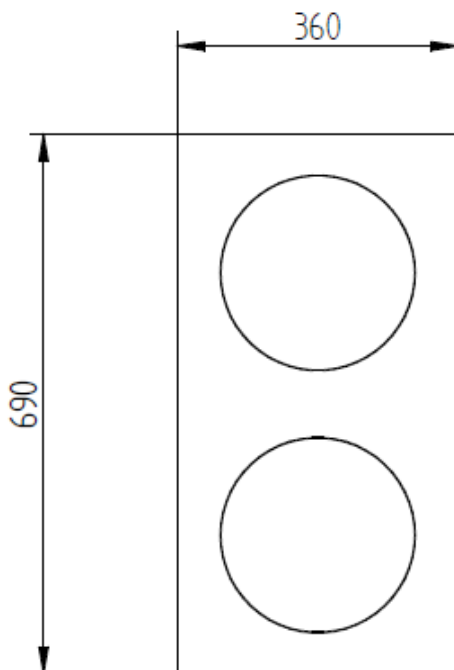
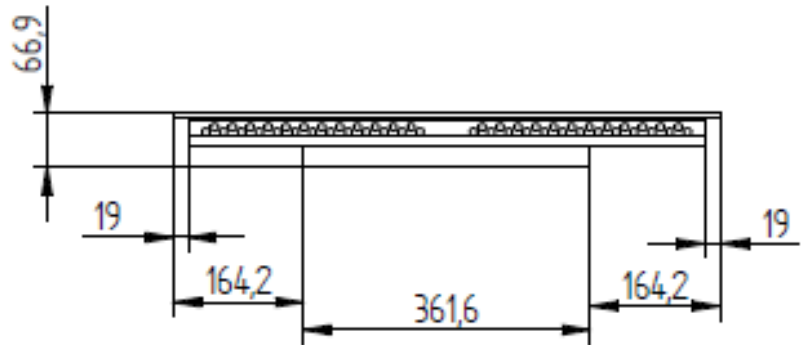
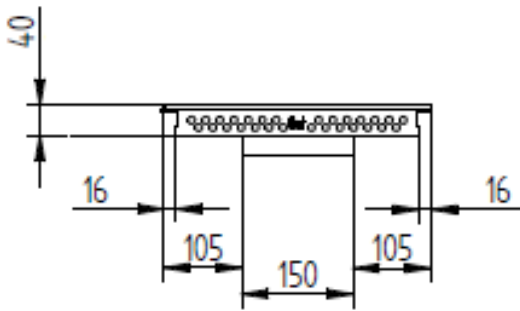
Important note

Adventys reserves the right to modify specifications without notice.

	8000 W	10.000 W	12.000 W
Integrated generator 360x690	ADV1677	ADV1689	ADV1688
Integrated generator 325x600	ADV1665	ADV1885	ADV1667
Deported generator 360x690	ADV1708	ADV1884	ADV1709
Deported generator 325x600	ADV1666	ADV1886	ADV1668

DEPORTED GENERATOR VERSION (with vitroceramic glass 360mm x 690mm)

Built-in dimensions : 366 x 696 mm



ADVENTYS
 Route de Pagny - 21250 Seurre - France
www.adventys.com
sales@adventys.com
 T: +33 3 80 20 46 15

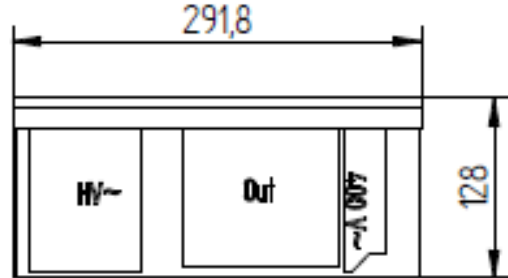
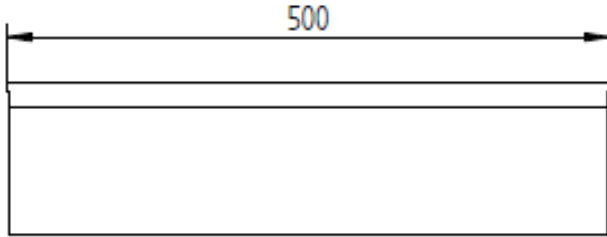
Important note

Adventys reserves the right to modify specifications without notice.

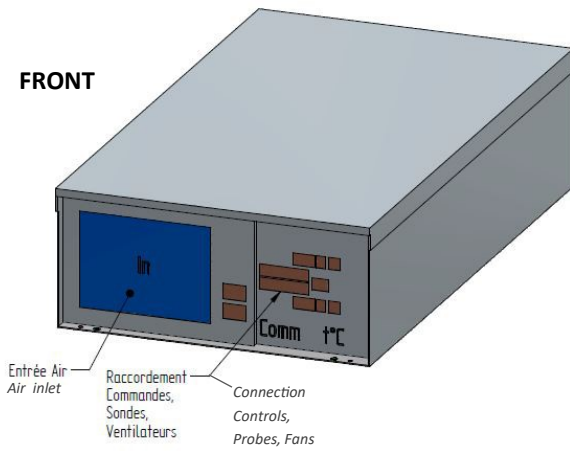


	8000 W	10.000 W	12.000 W
Integrated generator 360x690	ADV1677	ADV1689	ADV1688
Integrated generator 325x600	ADV1665	ADV1885	ADV1667
Deported generator 360x690	ADV1708	ADV1884	ADV1709
Deported generator 325x600	ADV1666	ADV1886	ADV1668

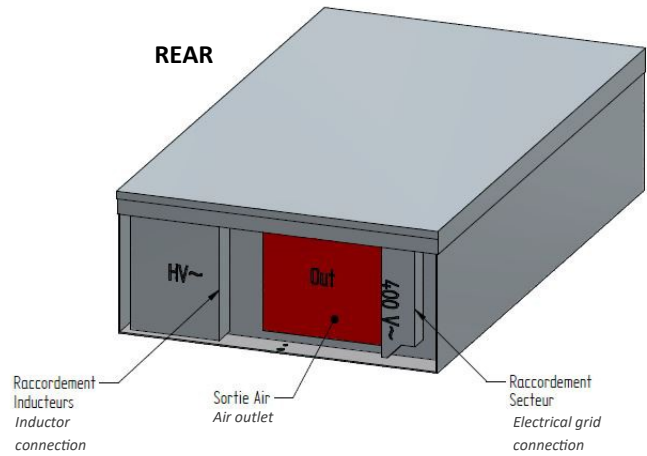
COMPACT DUO GENERATOR (FOR KTi2 DEPORTED VERSION)



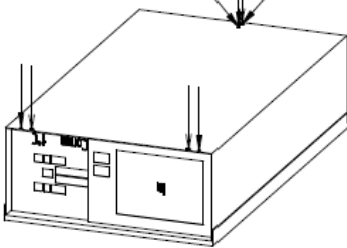
FRONT



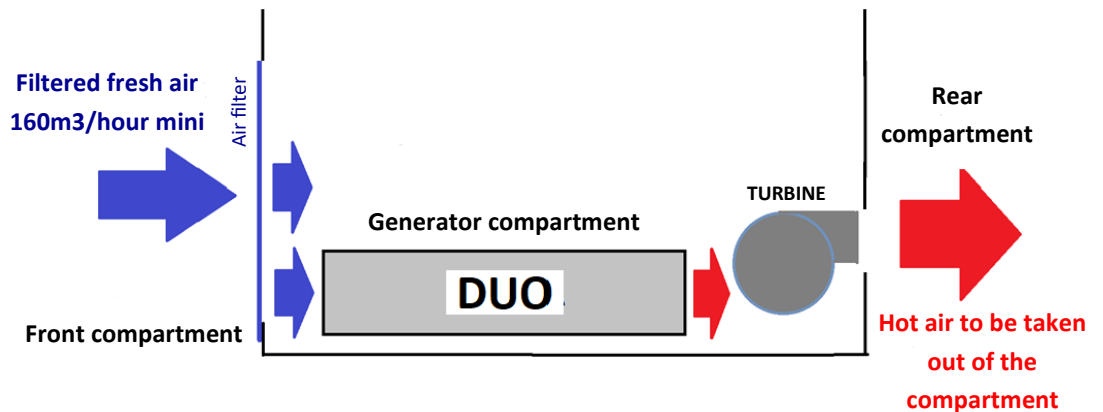
REAR



3 tapped holes M4 3 Smooth Holes 06



DUO GENERATOR installation with tangential TURBINE



ADVENTYS
 Route de Pagny - 21250 Seurre - France
 www.adventys.com
 sales@adventys.com
 T: +33 3 80 20 46 15

Important note

Adventys reserves the right to modify specifications without notice.



2 Zones kit - KTi2

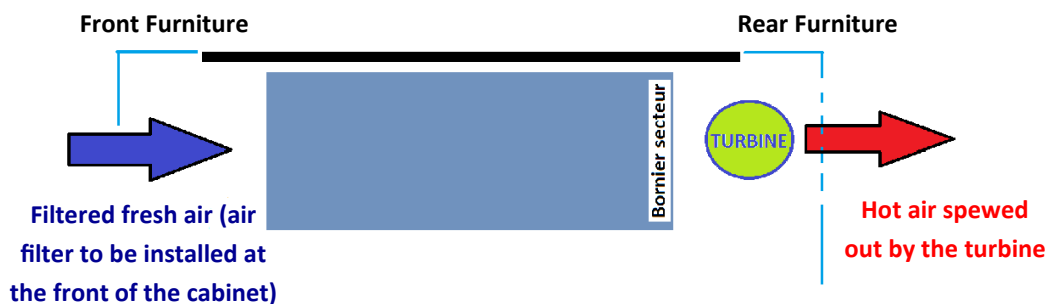
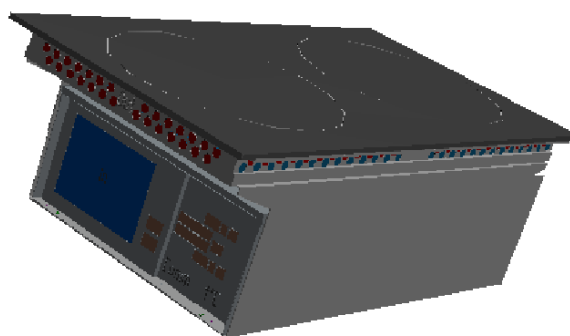
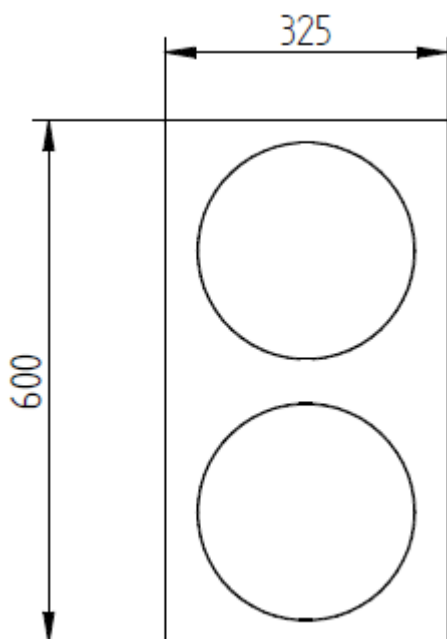
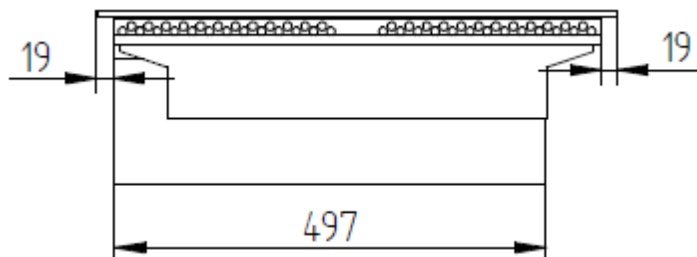
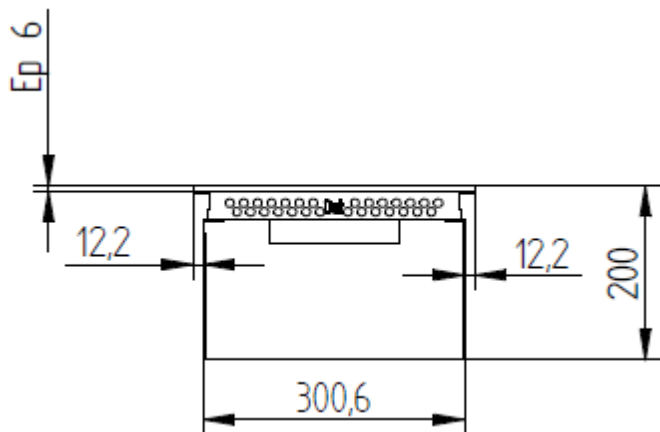
ADVENTYS

Integrated generator 360x690
 Integrated generator 325x600
 Deported generator 360x690
 Deported generator 325x600

8000 W	10.000 W	12.000 W
ADV1677	ADV1689	ADV1688
ADV1665	ADV1885	ADV1667
ADV1708	ADV1884	ADV1709
ADV1666	ADV1886	ADV1668

BUILT-IN GENERATOR VERSION (with vitroceramic-glass 325mm x 600mm)

Built-in dimensions : 331 x 606 mm



ADVENTYS
 Route de Pagny - 21250 Seurre - France
 www.adventys.com
 sales@adventys.com
 T: +33 3 80 20 46 15

Important note

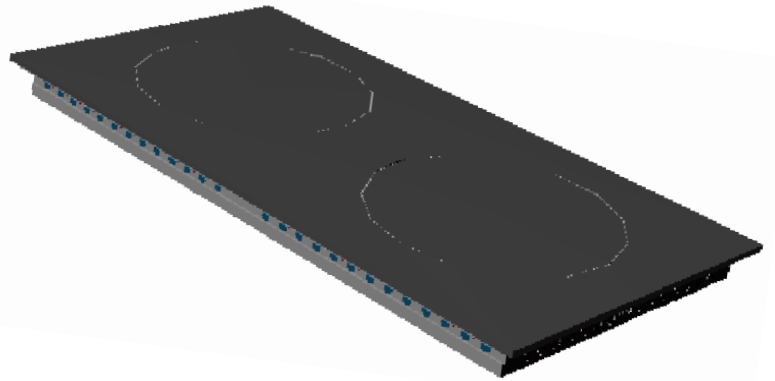
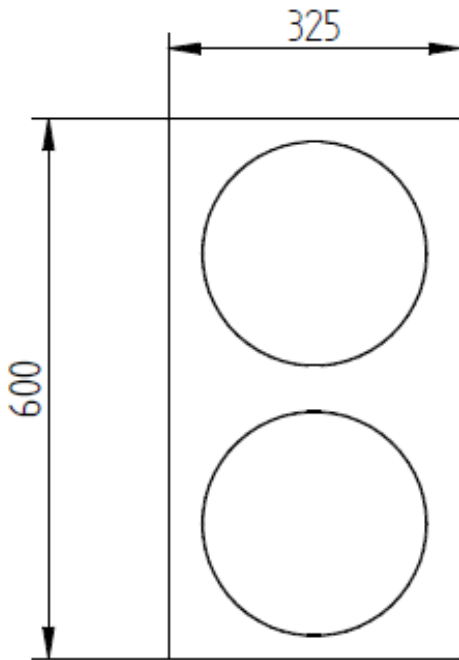
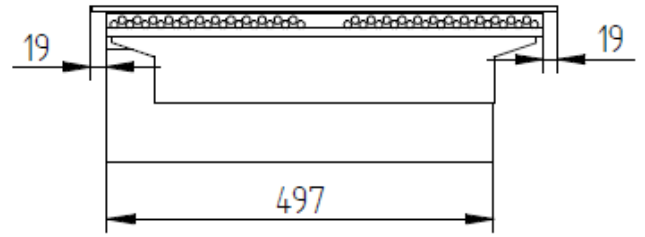
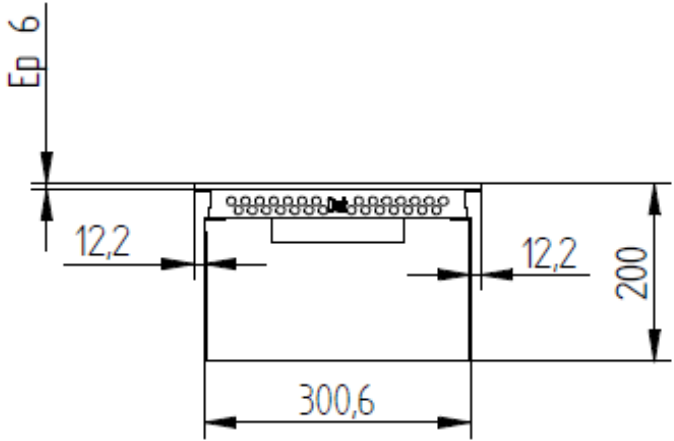
Adventys reserves the right to modify specifications without notice.



	8000 W	10.000 W	12.000 W
Integrated generator 360x690	ADV1677	ADV1689	ADV1688
Integrated generator 325x600	ADV1665	ADV1885	ADV1667
Deported generator 360x690	ADV1708	ADV1884	ADV1709
Deported generator 325x600	ADV1666	ADV1886	ADV1668

DEPORTED GENERATOR VERSION (with vitrocemramic-glass 325mm x 600mm)

Built-in dimensions : 331 x 606 mm



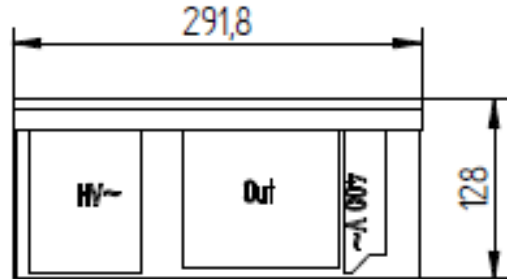
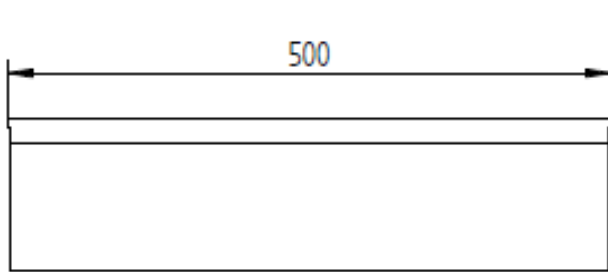
ADVENTYS
 Route de Pagny - 21250 Seurre - France
www.adventys.com
sales@adventys.com
 T: +33 3 80 20 46 15

Important note

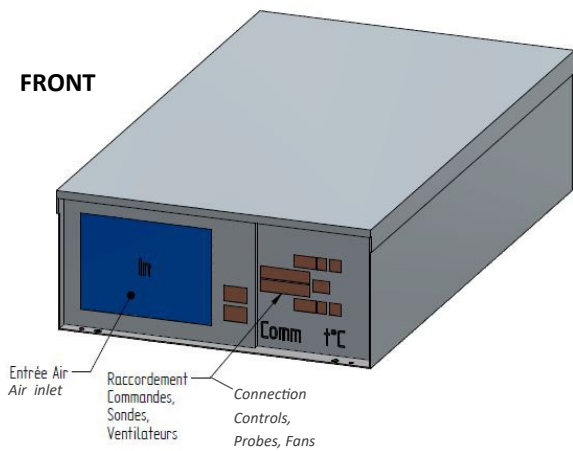
Adventys reserves the right to modify specifications without notice.

	8000 W	10.000 W	12.000 W
Integrated generator 360x690	ADV1677	ADV1689	ADV1688
Integrated generator 325x600	ADV1665	ADV1885	ADV1667
Deported generator 360x690	ADV1708	ADV1884	ADV1709
Deported generator 325x600	ADV1666	ADV1886	ADV1668

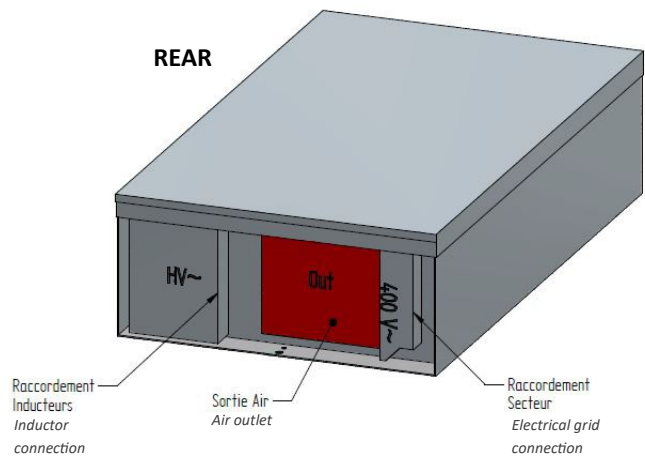
COMPACT DUO GENERATOR (DEPORTED VERSION)



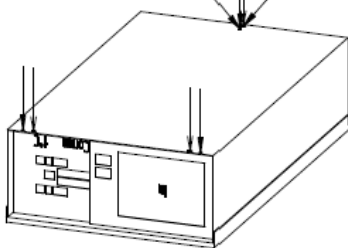
FRONT



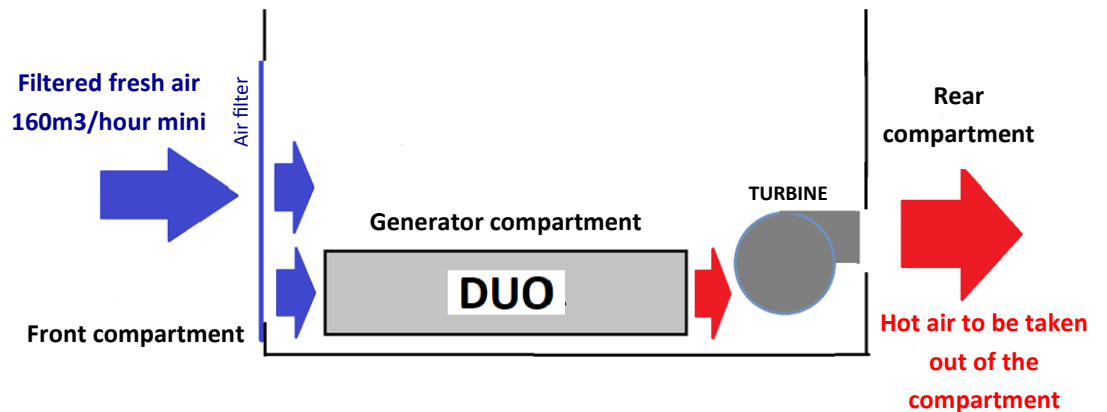
REAR



3 tapped holes M4 3 Smooth Holes 06



DUO GENERATOR installation with tangential TURBINE



ADVENTYS
 Route de Pagny - 21250 Seurre - France
www.adventys.com
sales@adventys.com
 T: +33 3 80 20 46 15

Important note

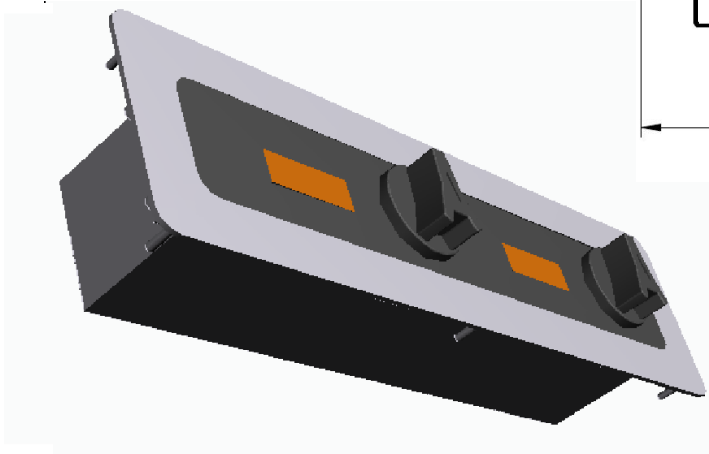
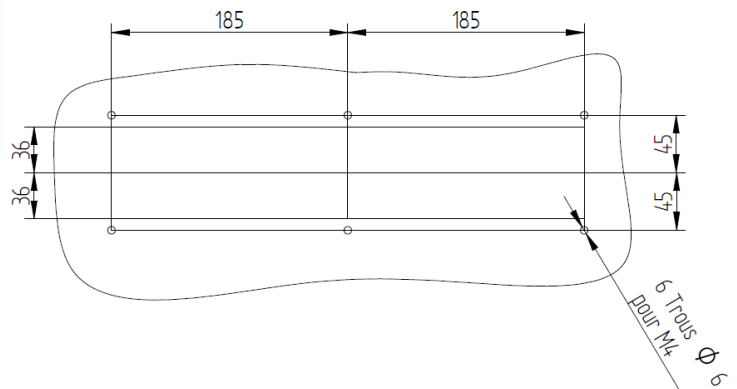
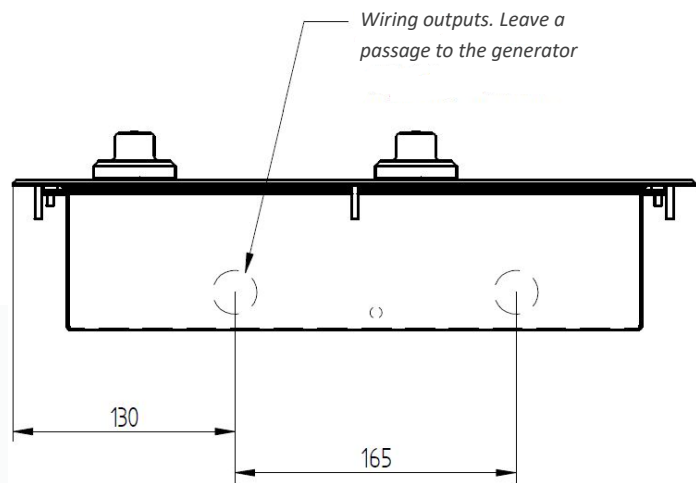
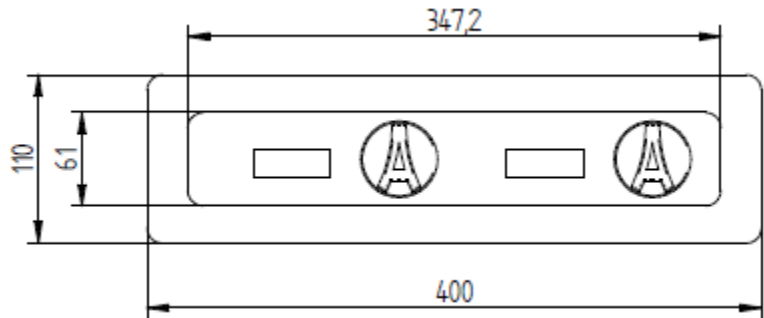
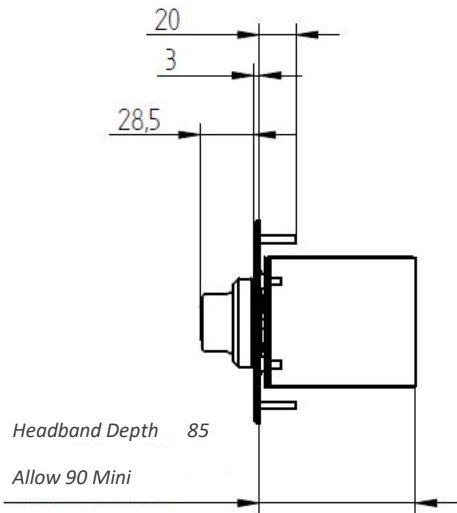
Adventys reserves the right to modify specifications without notice.



	8000 W	10.000 W	12.000 W
Integrated generator 360x690	ADV1677	ADV1689	ADV1688
Integrated generator 325x600	ADV1665	ADV1885	ADV1667
Deported generator 360x690	ADV1708	ADV1884	ADV1709
Deported generator 325x600	ADV1666	ADV1886	ADV1668

DUAL CONTROL BLOCK (2 JOYSTICK + 2 DISPLAYS 4 DIGITS)

Built-in dimensions 72 x 370 mm 6 trous R6mm



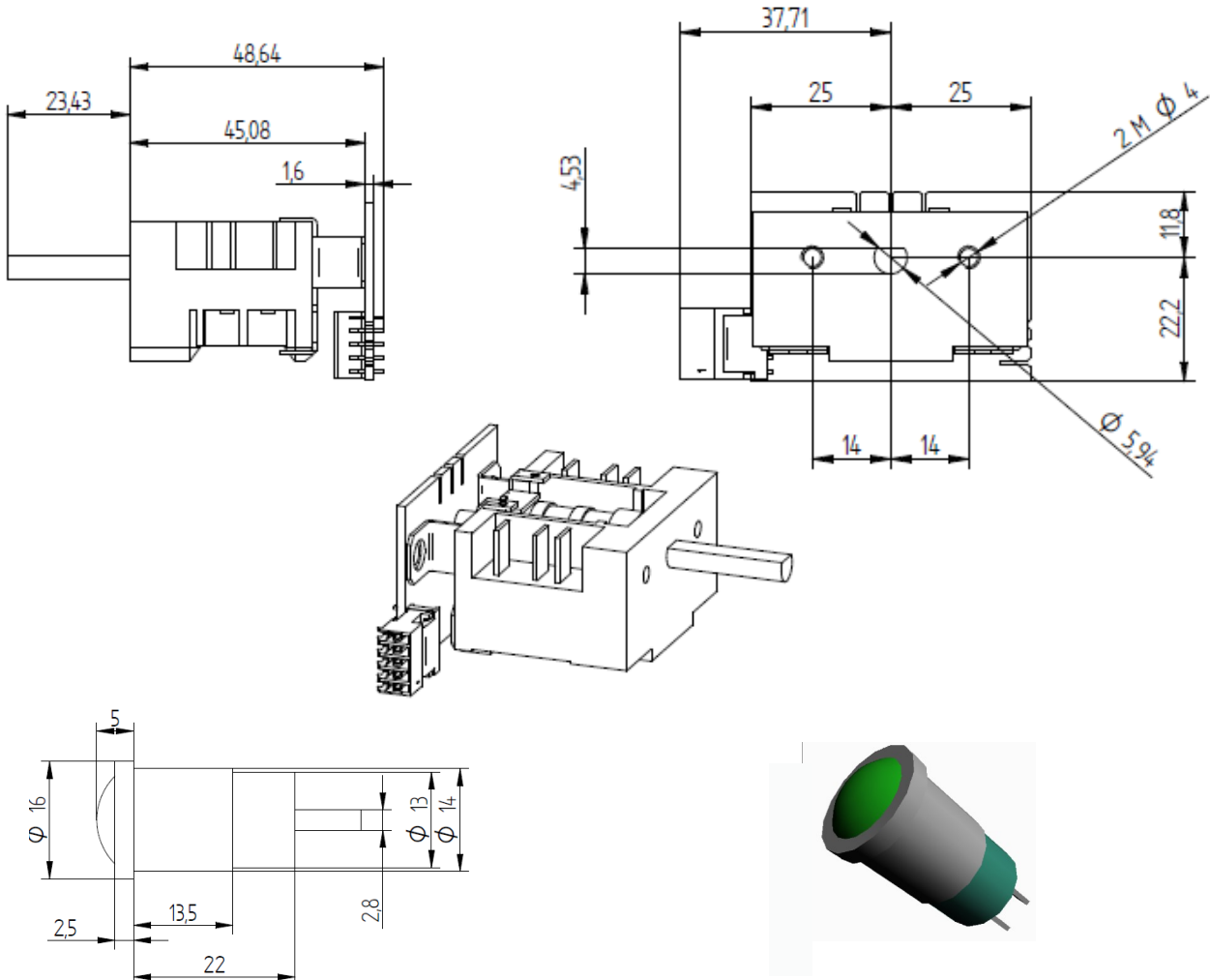
ADVENTYS
Route de Pagny - 21250 Seurre - France
www.adventys.com
sales@adventys.com
T: +33 3 80 20 46 15

Important note

Adventys reserves the right to modify specifications without notice.

	8000 W	10.000 W	12.000 W
Integrated generator 360x690	ADV1677	ADV1689	ADV1688
Integrated generator 325x600	ADV1665	ADV1885	ADV1667
Deported generator 360x690	ADV1708	ADV1884	ADV1709
Deported generator 325x600	ADV1666	ADV1886	ADV1668

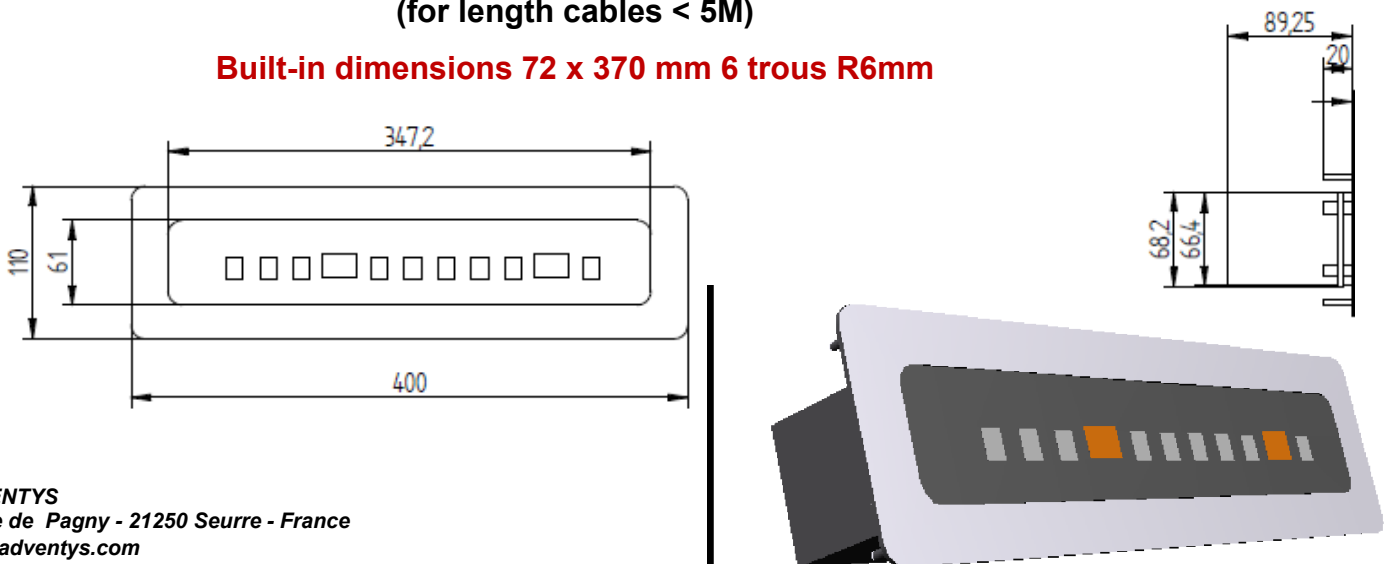
OPTION 1 = JOYSTICKS + LEDS ONLY



OPTION 2 = DUAL CONTROL BLOCK WITH TOUCH BUTTONS

(for length cables < 5M)

Built-in dimensions 72 x 370 mm 6 trous R6mm



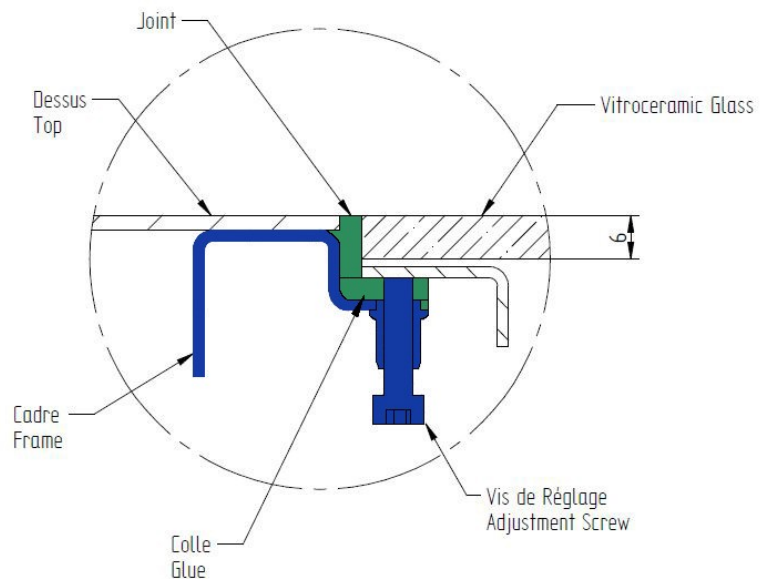
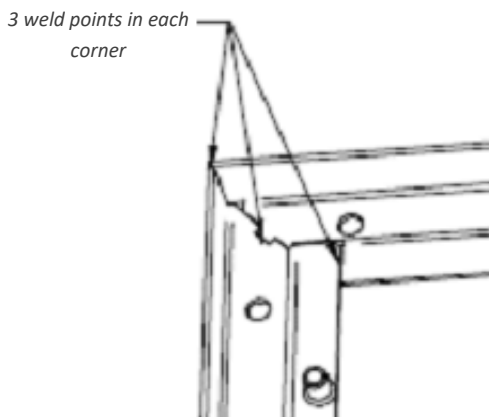
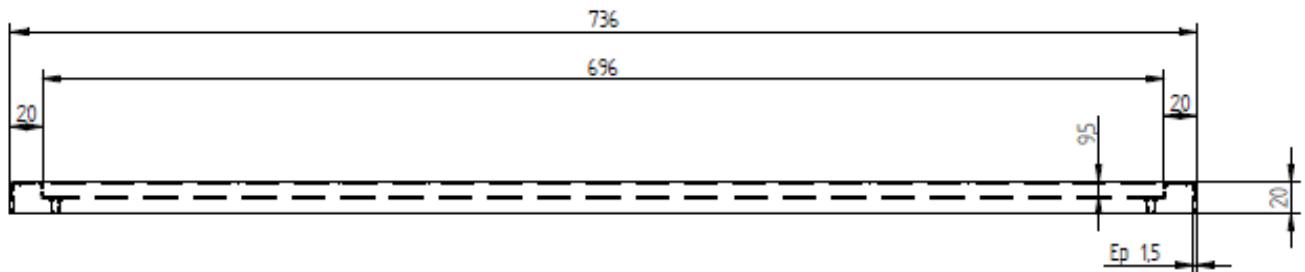
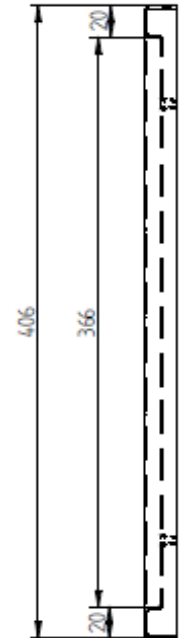
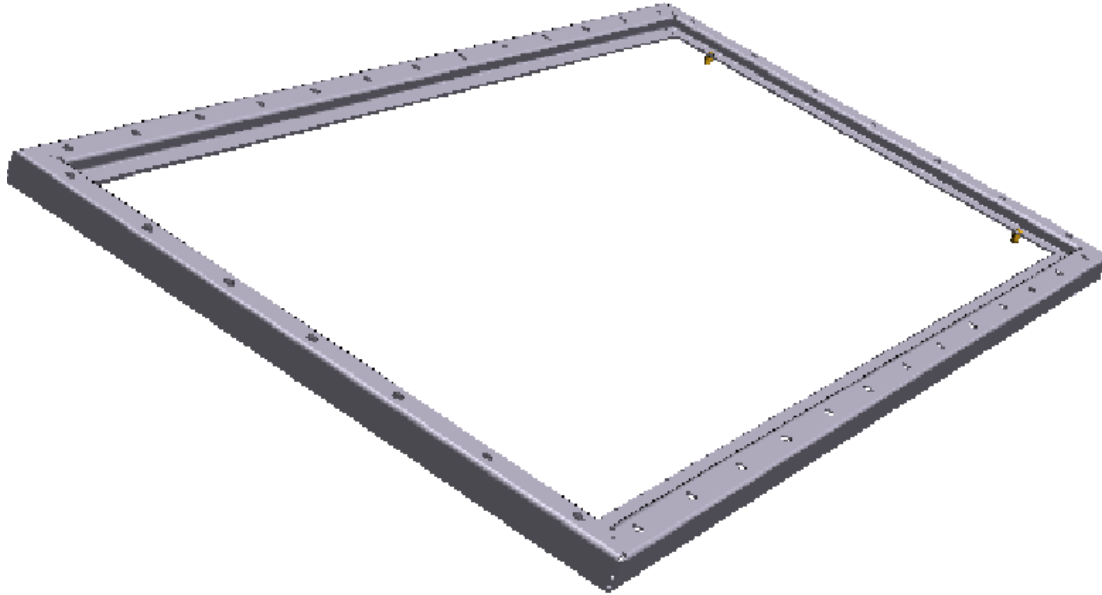
ADVENTYS
Route de Pagny - 21250 Seurre - France
www.adventys.com
sales@adventys.com
T: +33 3 80 20 46 15

Important note

Adventys reserves the right to modify specifications without notice.

	8000 W	10.000 W	12.000 W
Integrated generator 360x690	ADV1677	ADV1689	ADV1688
Integrated generator 325x600	ADV1665	ADV1885	ADV1667
Deported generator 360x690	ADV1708	ADV1884	ADV1709
Deported generator 325x600	ADV1666	ADV1886	ADV1668

STAINLESS STEEL FRAME FOR INTEGRATION KIT VERSION 690mm x 360mm

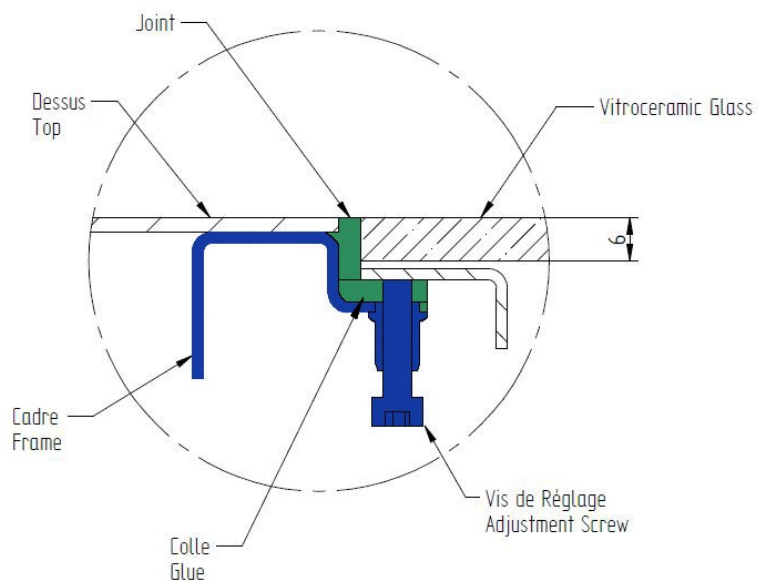
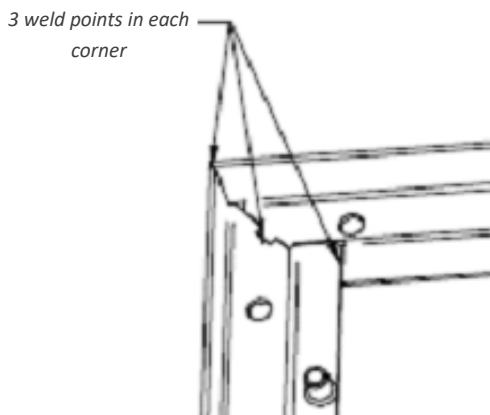
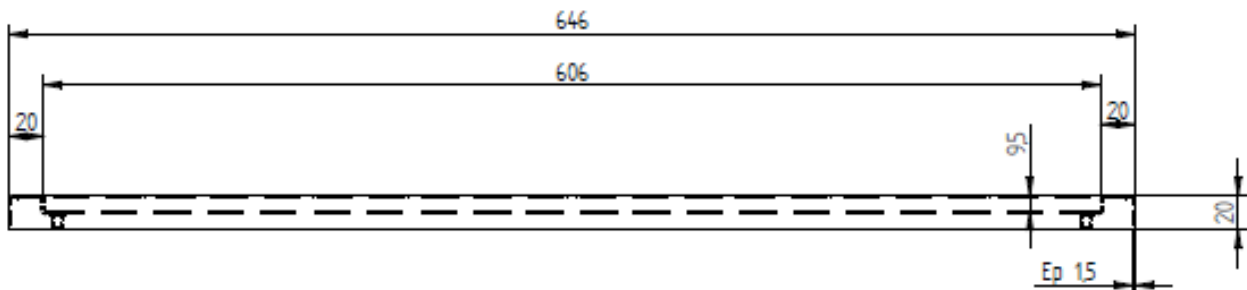


ADVENTYS
 Route de Pagny - 21250 Seurre - France
 www.adventys.com
 sales@adventys.com
 T: +33 3 80 20 46 15

Important note

Adventys reserves the right to modify specifications without notice.

STAINLESS STEEL FRAME FOR INTEGRATION KIT VERSION 600mm x 325mm



ADVENTYS
 Route de Pagny - 21250 Seurre - France
www.adventys.com
sales@adventys.com
 T: +33 3 80 20 46 15

Important note

Adventys reserves the right to modify specifications without notice.