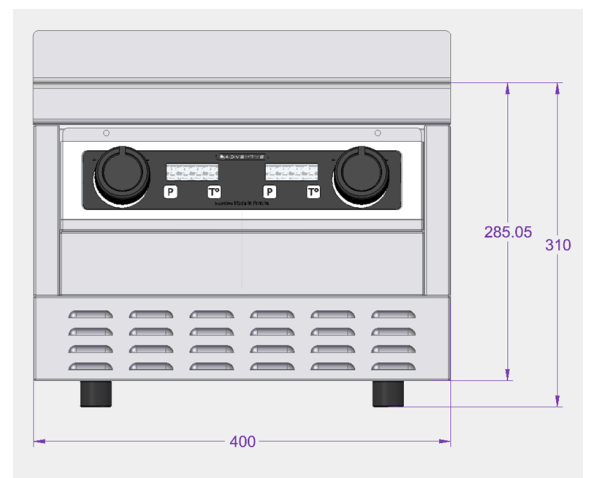
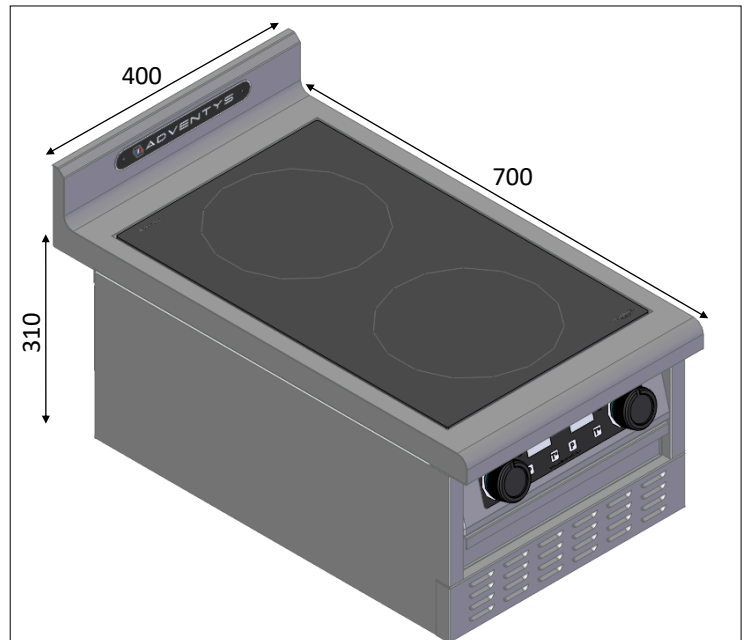


TECHNICAL FEATURES

Dimensions	700mm x 400mm x 310mm
Power	6000W (2x3000W)
Cooking surface	Vitrocéramic glass
Control panel	Knob (Electronic Spinless control knob) + capacitive touches
Amp	16A
Functions	Power manual setting from 25W to 3000W. Temperature manual setting from 30°C to 250°C.
Power supply	Three-phase 400V power supply Possibility of single-phase connection 220-240V with 16A or 32A cord depending on model (Supplied without connection cable)
Weight	30 Kg
Standards	Complies with European standards for safety of electrical appliances
Options & Details	Eco-design: EASY ACCESS Designed with stainless steel backsplash for easy cleaning and reduced dirt build-up on the back of the cabinet. High-performance "triple skin" filtering on the front panel, better cleaning/maintenance accessibility. Built-in storage drawer To be placed on a support or cupboard unit for a stable attachment - removable feet Cupboard available on legs (ADV2093) or castors (ADV2055) Link kit available for the 700 range (this kit allows you to assemble and create a seal between the different modules / ref: ADV2190)



ADVENTYS

Route de Pagny - 21250 Seurre - France

www.adventys.com contact@adventys.com T: +33 3 80 20 46 15

Important note

Adventys reserves the right to modify specifications without notice.