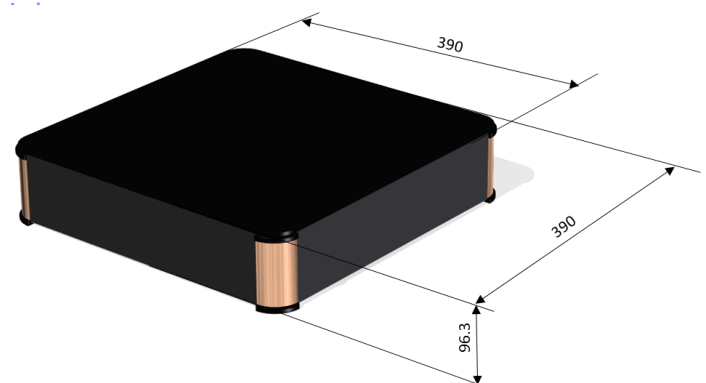


TECHNICAL FEATURES

External structure	Steel varnished black wrinckled RAL 7021 and anodized black feet finition brushed. Shockproof bumpers.
Dimensions	390x390x96.3
Power	1000W
Cooking surface	Vitroceramic glass.
Control panel	Capacitive touches with 3 touches. On / Off, manual temperature setting (+ / -) with 2 digits display.
Amp	10A
Functions	On/Off, manual power setting (+/-) and timer control with 2 digits display (works for both timer and power) 12 levels of temperature
Power supply	120 V for USA only 220/240 V AC 50-60 Hz
Weight	5.5 kg / 12.1 lbs.
Standards	Complies with European standards for safety of electrical appliances.
Details & Options	-Plugable power cord on product. -Fuse protection accessible from the outside of the product. -Plug-in connection inter product : daisy chain 2 products into 1 outlet - plug under product



millimeters



ADVENTYS
Route de Pagny - 21250 Seurre - France
www.adventys.com
sales@adventys.com
T: +33 3 80 20 46 15

Important note

Adventys reserves the right to modify specifications without notice.

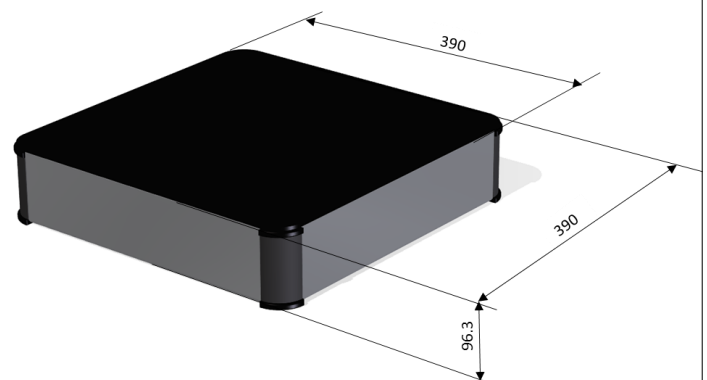


TECHNICAL FEATURES

External structure	Steel varnished black wrinckled RAL 7021 and anodized black feet finition brushed. Shockproof bumpers.
Dimensions	390x390x96.3
Power	1000W
Cooking surface	Vitroceramic glass.
Control panel	Capacitive touches with 3 touches. On / Off, manual temperature setting (+ / -) with 2 digits display.
Amp	10A
Functions	On/Off, manual power setting (+/-) and timer control with 2 digits display (works for both timer and power) 12 levels of temperature
Power supply	120 V for USA only 220/240 V AC 50-60 Hz
Weight	5.5 kg kg / 12.1 lbs.
Standards	Complies with European standards for safety of electrical appliances, ..
Details & Options	-Plugable power cord on product. -Fuse protection accessible from the outside of the product. -Plug-in connection inter product : daisy chain 2 products into 1 outlet— plug under product



millimeters



ADVENTYS
Route de Pagny - 21250 Seurre - France
www.adventys.com
sales@adventys.com
T: +33 3 80 20 46 15

Important note

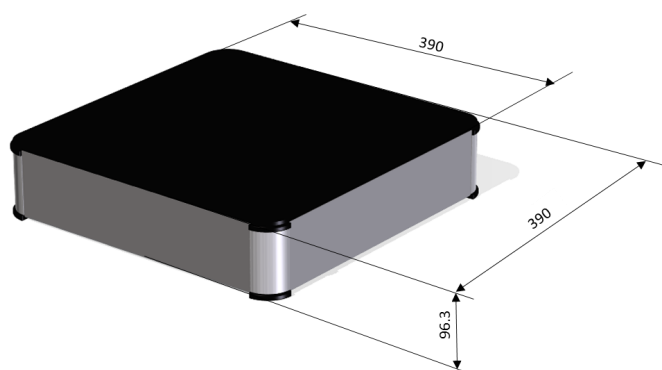
Adventys reserves the right to modify specifications without notice.

TECHNICAL FEATURES

External structure	Steel varnished black wrinckled RAL 7021 and anodized black feet finition brushed. Shockproof bumpers.
Dimensions	390x390x96.3
Power	1000W
Cooking surface	Vitroceramic glass.
Control panel	Capacitive touches with 3 touches. On / Off, manual temperature setting (+ / -) with 2 digits display.
Amp	10A
Functions	On/Off, manual power setting (+/-) and timer control with 2 digits display (works for both timer and power) 12 levels of temperature
Power supply	120 V for USA only 220/240 V AC 50-60 Hz Plug under product
Weight	5.5 kg kg / 12.1 lbs.
Standards	Complies with European standards for safety of electrical appliances.
Details & Options	-Plugable power cord on product. -Fuse protection accessible from the outside of the product. -Plug-in connection inter product : daisy chain 2 products into 1 outlet



millimeters



ADVENTYS
Route de Pagny - 21250 Seurre - France
www.adventys.com
sales@adventys.com
T: +33 3 80 20 46 15

Important note

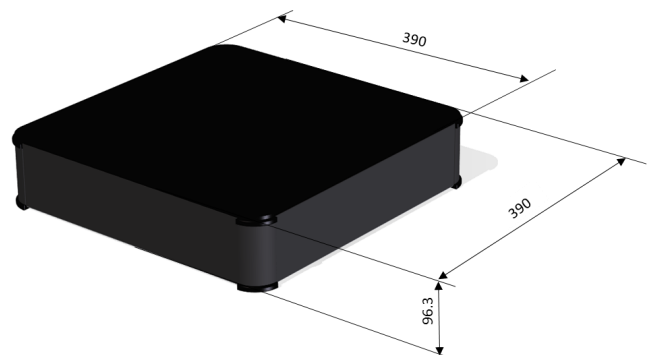
Adventys reserves the right to modify specifications without notice.

TECHNICAL FEATURES

External structure	Steel varnished black wrinckled RAL 7021 and anodized black feet finition brushed. Shockproof bumpers.
Dimensions	390x390x96.3
Power	1000W
Cooking surface	Vitroc ceramic glass.
Control panel	Capacitive touches with 3 touches. On / Off, manual temperature setting (+ / -) with 2 digits display.
Amp	10A
Functions	On/Off, manual power setting (+/-) and timer control with 2 digits display (works for both timer and power) 12 levels of temperature
Power supply	120 V for USA only 220/240 V AC 50-60 Hz
Weight	5.5 kg kg / 12.1 lbs.
Standards	Complies with European standards for safety of electrical appliances.
Details & Options	-Plugable power cord on product. -Fuse protection accessible from the outside of the product. -Plug-in connection inter product : daisy chain 2 products into 1 outlet - plug under product



millimeters



ADVENTYS
Route de Pagny - 21250 Seurre - France
www.adventys.com
sales@adventys.com
T: +33 3 80 20 46 15

Important note

Adventys reserves the right to modify specifications without notice.