



Millenium

975.8MLG/MSG + i

DESIGN

Rotisol's most popular line, the Millenium combines the drama of visible flames and the beauty of elegant finishes with the highest degree of functionality.

A wide array of spits allow the chef to cook anything that can be roasted: whole or split chickens, lamb, beef roasts and steaks, cuts of pork, fish, vegetables, even fruit.

The optional Vertical Spit System with its choice of eight hanging accessories expands the menu possibilities even more and adds additional visual appeal.

FEATURES

- Energy efficient
- Tempered K-glass doors
- Independent motor for each spit
- Equipped with bottom drip tray with built-in drainage
- Rotisol patented burners
- Powerful halogen lamps
- Delivered with 8 prongless spits (CUI975)
- Illuminated sign «Rotisserie» for enamel model only
- Base on casters with brakes



975.8MLG
Black enamel and brass



TECHNICAL DETAILS

Overview of some of the standard features.



Stainless steel burner with removable air filter (Rotisol patent)



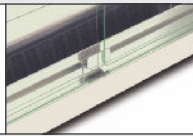
Robust hinges designed for heavy use, with integrated locking in open and closed positions



Gas safety ! separation of the gas and electric chambers avoids any risks of explosion



Gas and electric switches, in chromed or brass-colored metal



Anti-scald K-glass reduces external thermal radiation (energy saving). Glass overlaps drip pan to keep splatters inside (anti-slip protection).



Removable inside side-panels doubles protection from grease seeping into motors and other sensitive parts

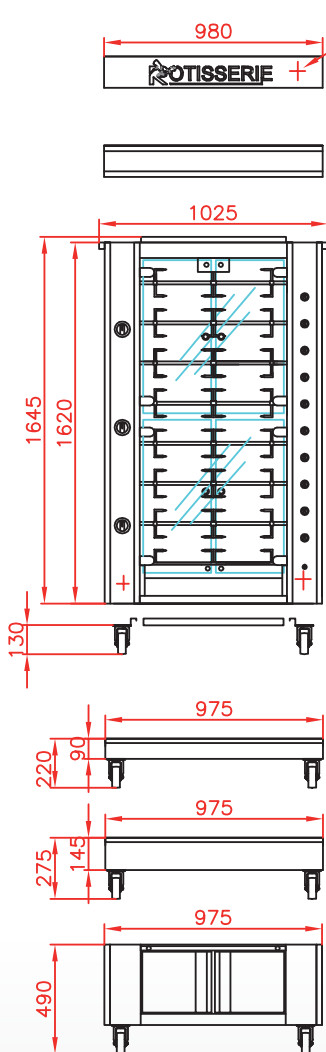
ACCESSORIES

A variety of accessories are available. See video of available [accessories](#) and of [vertical spit system](#) online.

CUI975 Anti-cutting prongless V-spit.		BP975 Chicken spit.		BRC975 Rectangular basket spit.	
BS975 Spit for ham / turkey.		BRRO975 Roast-clamp spit.		BA975 Lamb/suckling-pig spit.	
BCR975 Spatchcock chicken basket.		DEC Spit mover.		PID975 Tray for unspitting.	

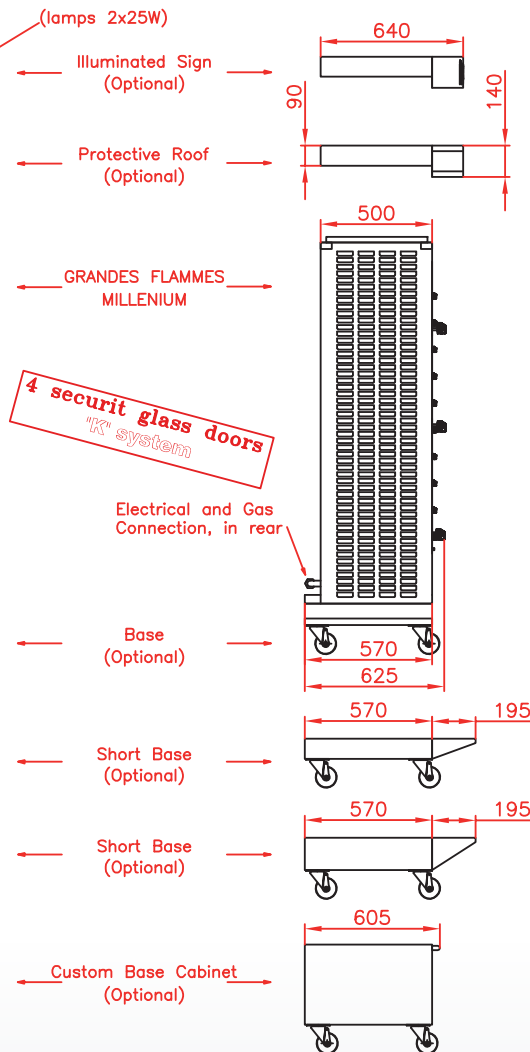
Front view

Rotisserie with roof (optional)
and base on casters (optional)



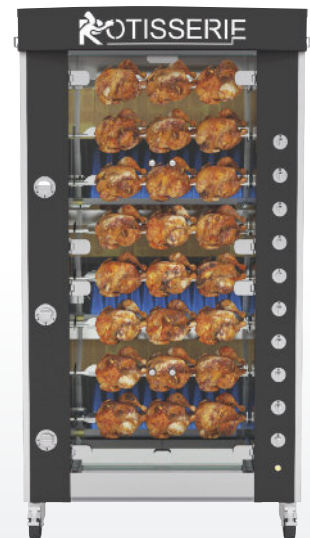
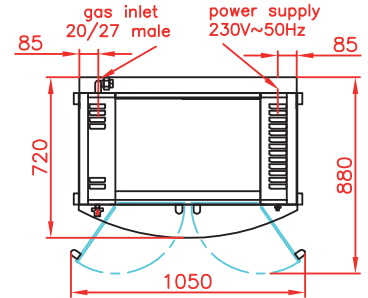
Side view

Rotisserie with roof (optional)
and base on casters (optional)



Top view

Rotisserie with roof (optional)
and base on casters (optional)



975.8MSG

Stainless steel with black enamel and chrome



Revised :
March 2018

SPECIFICATIONS

Capacity	16/24 poultries
Gas power	30 kW
Power supply	208-230V-50Hz/60Hz
Electrical power	0.49 kW
Weight and size (HxDxW)	195 kg ; 1840 x 720 x 1025 mm
Shipping weight and size	256 kg ; 2000 x 760 x 1070 mm
Guarantee	1 year parts



DISTRIBUTOR / AGENT

Rotisol S.A.S.

Zone industrielle La Trentaine, Avenue Gustave Eiffel
77507 Chelles cedex - FRANCE

s.bennell@rotisol.com - Tel : +33 1 64 21 80 00

www.rotisol.com