



### Super BBQ SB8

#### DESIGN

Designed to serve your needs in outdoor cooking, big enough to perfectly roast all different sizes of meat. The Super BBQ will be your best ally to bring to weddings, festivals, banquets, picnics... Attractive, easily transportable and easy to clean, the Super BBQ is the equipment that will make the difference...

#### FEATURES

- Energy efficient
- 2 Tempered K-glass doors
- Heavy duty removable motor
- Drip pan can double as a cutting board
- Rotisol patented burners  
(engineered and manufactured by Rotisol)
- Easy access for maintenance and high pressure cleaning
- Low maintenance
- All stainless steel and black enamel
- Pilot-thermocouple. Gas safety valve
- Quick change accessories

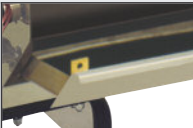


SB8

Black enamel and stainless steel finish

#### TECHNICAL DETAILS

Overview of some of the standard features.

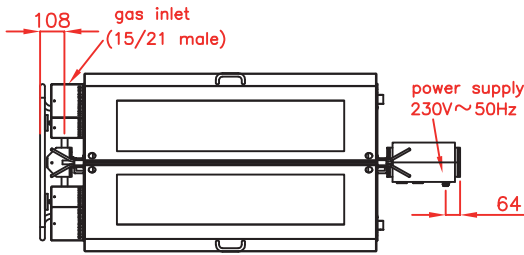
	Stainless steel burner with removable air filter (Rotisol patent)		2 removable flap-doors with tempered glass windows.		Black enamel and stainless steel finish.
	Stainless steel drip pan with drainage valve.		Heavy duty wheels and handle for easy placement.		Gas safety valve.

#### ACCESSORIES

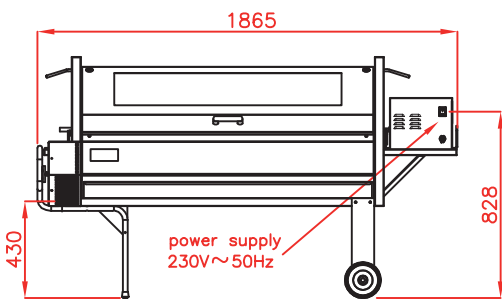
A variety of accessories are available.

<b>SB.BAL</b> Revolving basket spit for chicken. Set of 8 baskets.	<b>SB.GP</b> Spit for turkey, pig, ham & sheep.	<b>SB.GRILL</b> 4 cast iron cooking griddles.	<b>BA1675</b> Lamb/suckling-pig spit.
			

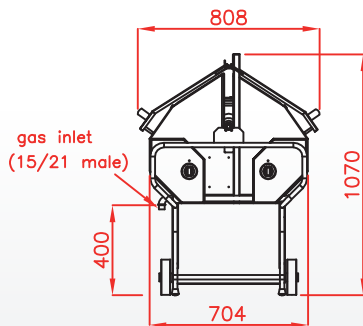
Top view



Side view



Front view



ROTISSERIE  
24 POULTRIES



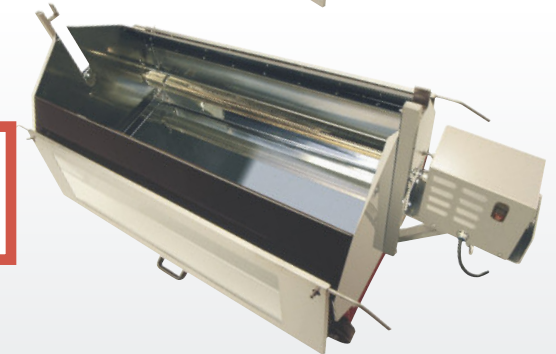
BBQ / GRILL  
LARGE SURFACE



BIG SPIT  
ROASTER

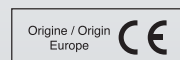


**EASY CLEANING**  
high pressure cleaning  
shielded burners



## SPECIFICATIONS

Capacity	24 poultries or 1 lamb
Gas power	33 kW
Power supply	208-230V-50Hz/60Hz
Electrical power	0.1 kW
Weight and size (HxDxW)	155 kg ; 1070 x 808 x 1865 mm
Useful surface of the grill	1280 x 480 mm
Shipping weight and size	200 kg ; 1120 x 900 x 2150 mm
Warranty	1 year on parts



Revised :  
April 2019

DISTRIBUTOR / AGENT

Rotisol S.A.S.

Zone industrielle La Trentaine, Avenue Gustave Eiffel  
77507 Chelles cedex - FRANCE

[s.bennell@rotisol.com](mailto:s.bennell@rotisol.com) - Tel : +33 1 64 61 80 00

[www.rotisol.com](http://www.rotisol.com)