



Accumulation water chillers

Refrigeratori ad accumulo



See the technical chart
Consulta la tabella tecnica

mac.pan



MR1000INOX

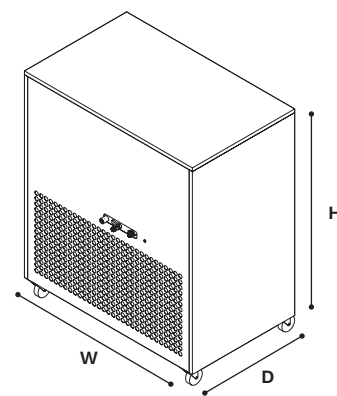
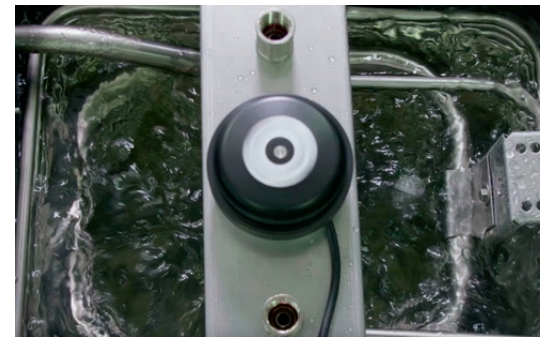
- Bath made in AISI 304
- Compressor GAS R 452A
- Recirculation pump
- Digital thermostat
- Autoclave pump
- Automatic loading
- Overflow drain
- Mounted on wheel (100/200)
- Mounted on feets (300/500/1.000)
- Quick and easy to clean

- Vasca realizzata in AISI 304
- Compressore GAS R 452A
- Pompa di ricircolo
- Termostato digitale
- Pompa autoclave
- Caricamento automatico
- Scarico troppo pieno
- Montato su ruote (100/200)
- Montato su piedini (300/500/1.000)
- Veloce e facile da pulire

Our machines are designed, manufactured and assembled in ITALY. - Le nostre macchine sono progettate, costruite e assemblate in ITALIA.



caratteristiche generali • general characteristics



The standard equipment includes the electronic regulation of the temperature, the electrical level control with solenoid valve for automatic filling, the water circulation system inside the tank by means of pumps, which serves to accelerate the cooling process, the discharge towards the control unit dosing or directly into the mixer takes place through an electric pump equipped with electronic pressure control, with body completely in brass or stainless steel depending on the size of the machine.

L'equipaggiamento standard comprende la regolazione elettronica della temperatura, il controllo di livello elettrico con elettrovalvola per il riempimento automatico, il sistema di circolazione dell'acqua all'interno della vasca tramite pompe, che serve ad accelerare il raffreddamento, lo scarico verso la centralina di dosaggio o direttamente verso l'impastatrice avviene tramite una elettropompa dotata di controllo di pressione elettronico, con corpo completamente in bronzo o acciaio inox a seconda della grandezza della macchina.

descrizione • description

As continued product improvement is a policy of MAC.PAN Srl, specifications are subject to change without notice.



The water chillers are designed to cool the water destined to the creation of mixtures for food products such as bread, pasta etc. They are constructed of stainless steel, the tank and the evaporator coil 304, with fittings and materials from only the European market.

Cooling GAS R452A

I refrigeratori d'acqua ad accumulo serie MR servono a raffreddare l'acqua destinata alla creazione di impasti per produzioni alimentari come il pane, la pasta, ecc. Sono costruiti in acciaio inox, la vasca e la serpentina evaporatore in AISI 304, e con raccorderie e materiali provenienti solo dal mercato europeo.

GAS di raffreddamento R452S

MODEL	MR100INOX	MR200INOX	MR300INOX	MR500INOX	MR1000INOX	
compressor (HP)	0.5	1.2	2.7	3.5	5	
tank capacity (lt)	100	200	300	500	1000	
n° of recirculation pumps	1	1	2	2	1 hp inox	
electronic temperature control	✓	✓	✓	✓	✓	
autoclave pump Hp	½ HP 16 lt/min	½ HP 16 lt/min	inox 1 HP 30 lt/min	inox 1 HP 30 lt/min	inox 1 HP 30 lt/min	
automatic water inlet	✓	✓	✓	✓	✓	
safety water outlet	✓	✓	✓	✓	✓	
production (lt/h)	70	150	300	450	600	
water inlet (inches)	3/4" M	3/4" M	3/4" F	3/4" F	3/4" F	
water outlet (inches)	1/2" M	1/2" M	3/4" F	3/4" F	3/4" F	
too-full (inches)	1/2" F	1/2" F	1/2" F	1/2" F	3/4" F	
min inlet water pressure (bar)	1	1	1	1	1	
max inlet water pressure (bar)	3	3	3	3	3	
wall preparation	x	x	x	x	x	
mounted on wheels	✓	✓	x	x	x	
levelling feets	x	x	✓	✓	✓	
dosing system	x	x	x	x	x	
installed power (kW)	1.2	2.5	3.5	4.5	6	
standard power supply	1Ph/50-60Hz	1Ph/50-60Hz	3Ph/50-60Hz	3Ph/50-60Hz	3Ph/50-60Hz	
machine dimension (cm)	W60_D60(H120)	W60_D60(H160)	W100_D80(H170)	W120_D120(H150)	W300_D120(H130)	
machine weight (Kg)	100	130	230	310	620	