

# Napoli 1 Door Rotating

RIF. COD. NI

td class="dim dim-90">Gas

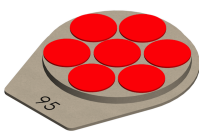
FEATURES	UM	Ø 95
Height of the cooktop	cm	105/120
Door width	cm	54/68
Power consumption	Kw	0,36
Total weight (standard finish)	Kg	1300
Pizza capacity	nr.	5-6
Supply		Wood-Gas
Under-floor burner		o

Minimum flue dimensions: Ø 20 cm

DIMENSIONS	UM	Ø 95
A - Depth	cm	180
B - Width	cm	160
C - Height	cm	200-220
D	cm	105-120
F	cm	109
G	cm	105

GAS DATA	UM	Ø 95
Thermal power	kW	34
LPG consumption	kg/h	2,681
Methane Consumption	m³/h	3,598
Flue gas temperature	°c	200
Draft	pascal	12 pa
Gas connection	inches	1/2
Type of construction		A1-B1IBS
Energy Consumption	W	370

## CAPACITY

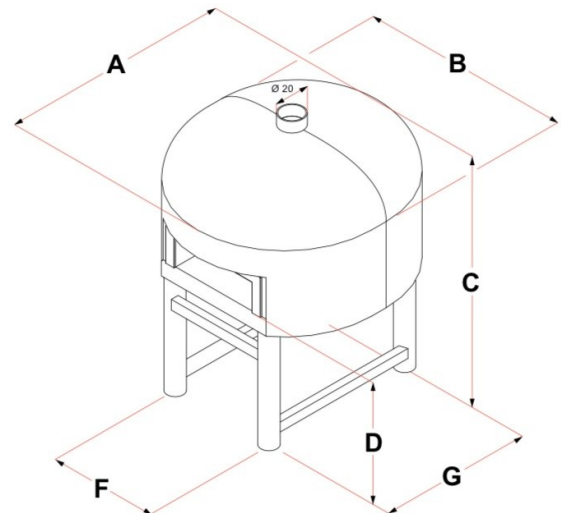


Ø 95

## AVAILABLE SHAPES



NAPOLI



## WOOD DATA

<b>M.A.M snc</b> - Via C.Angiolieri, 28/34 - 41123 Modena (Italy) Tel. +39.059.330219 / +39.059.330189 - Fax +39.059.334521 www.mamforni.it - mam@mamforni.it		<b>MADE IN ITALY</b>	
<b>1935/2004 - 2001/95/CE</b> Forno a legna prefabbricato - Prefabricated wood-burning oven Vorgefertigter Steinofen			
Distanza minima del materiale combustibile - Minimum distance from the combustible material - Mindestdistanz des Brennmaterials		Contatto Contact Kontakt	
Emissione di CO prodotta in combustione - CO emission produced during combustion Ausstrahlung von in der Verbrennung produziertem CO		0,48%	
Temperatura del fumo di combustione - Combustion fume temperature - Temperatur des Brennruches		305° C	
Uscita termica utile (riscaldamento) - Thermic outlet used (heating) - Nützlicher Wärmeaustritt (Heizung)		11,5 Kw	
Efficienza dell'energia - Energy efficiency - Leistungsfähigkeit der Energie		66,7%	
Tipo di combustibile - Fuel typer - Brennstofftyp		Legno in pezzi Wood logs Holz in stücke	
CO** (mg/Nm³) 5848		Polveri** - Powders** - Puder** (mg/Nm³) 248	
<small>           Leggere e seguire le istruzioni del manuale d'uso - Follow the manual instruction - Gebrauchsanweisungen im Handbuch lesen und befolgen            non utilizzare l'apparecchio su canna fumaria multipla - Don't use the equipment on multiple flue - Das Gerät nicht mit vielfältigem Rauchfang gebrauchen            Usare solo combustibili raccomandati - Use only recommended fuels - Nur empfohlenen Brennstoff gebrauchen            L'apparecchio è idoneo alla combustione intermittente - The equipment is suitable for discontinuous combustion - Des Gerät ist für intermittierende Verbrennung geeignet         </small>			

\*\* valori corretti al 10% di O<sub>2</sub>