



Napoli Static Oven

RIF. COD. N

FEATURES	UM	Ø 120
Height of the cooktop	cm	105/120
Door width	cm	54/68
Total weight (standard finish)	Kg	1100
Pizza capacity	nr.	7-8
Minimum flue dimensions: Ø 20 cm		

DIMENSIONS	UM	Ø 120
A - Depth	cm	180
B - Width	cm	160
C - Height	cm	200-220
D	cm	105-120
F	cm	109
G	cm	105

GAS DATA	UM	Ø 120
Thermal power	kW	34
LPG consumption	kg/h	2,681
Methane Consumption	m³/h	3,598
Flue gas temperature	°c	200
Draft	pascal	12 pa
Gas connection	inches	1/2
Type of construction		A1-BIIBS
Energy Consumption	W	100

CAPACITY

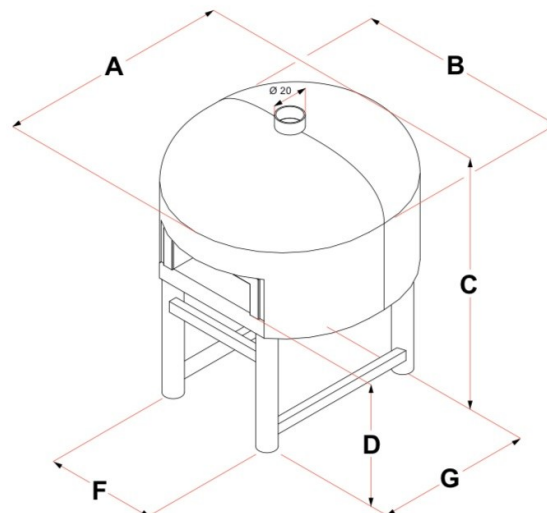


Ø 120

AVAILABLE SHAPES



NAPOLI



WOOD DATA

M.A.M snc - Via C.Angiolieri, 28/34 - 41123 Modena (Italy) Tel. +39.059.330219 / +39.059.330189 - Fax +39.059.334521 www.mamforni.it - mam@mamforni.it		MADE IN ITALY	CE 05
1935/2004 - 2001/95/CE Forno a legna prefabbricato - Prefabricated wood-burning oven Vorgefertigter Steinofen			
Distanza minima del materiale combustibile - Minimum distance from the combustible material - Mindeststodstanz des Brennmaterials		Contatto Contact Kontakt	
Emissione di CO prodotta in combustione - CO emission produced during combustion Ausstrahlung von in der Verbrennung produziertem CO		0,48%	
Temperatura del fumo di combustione - Combustion fume temperature - Temperatur des Brennruches		305° C	
Uscita termica utile (riscaldamento) - Thermic outlet used (heating) - Nützlicher Wärmeaustritt (Heizung)		11,5 Kw	
Efficienza dell'energia - Energy efficiency - Leistungsfähigkeit der Energie		66,7%	
Tipo di combustibile - Fuel typer - Brennstofftyp		Legno in pezzi Wood logs Holz in stücke	
CO** (mg/Nm³) 5848	Polveri** - Powders** - Puder** (mg/Nm³) 248		
<small>Leggere e seguire le istruzioni del manuale d'uso - Follow the manual instruction - Gebrauchsanweisungen im Handbuch lesen und befolgen non utilizzare l'apparecchio su canna fumaria multipla - Don't use the equipment on multiple flue - Das Gerät nicht mit vielfältigem Rauchfang gebrauchen Usare solo combustibili raccomandati - Use only recommended fuels - Nur empfohlenen Brennstoff gebrauchen L'apparecchio è idoneo alla combustione intermittente - The equipment is suitable for discontinuous combustion - Des Gerät ist für intermittierende Verbrennung geeignet</small>			

** valori corretti al 10% di O₂