

Napoli 1 Door Rotating

RIF. COD. N1

FEATURES	UM	Ø 135
Height of the cooktop	cm	105/120
Door width	cm	54/68 / 82
Power consumption	Kw	0,36
Total weight (standard finish)	Kg	2000
Pizza capacity	nr.	10-12
Supply		Wood-Gas
Under-floor burner		o
Minimum flue dimensions: Ø 20 cm		

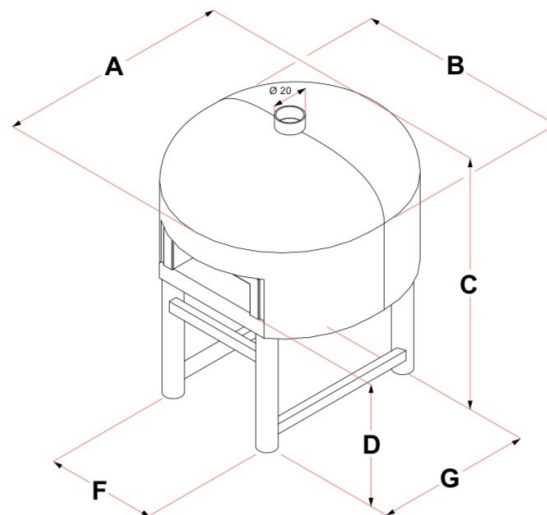
DIMENSIONS	UM	Ø 135
A - Depth	cm	220
B - Width	cm	200
C - Height	cm	200-220
D	cm	105-120
F	cm	116
G	cm	149

GAS DATA	UM	Ø 135
Thermal power	kW	34
LPG consumption	kg/h	2,681
Methane Consumption	m ³ /h	3,598
Flue gas temperature	°c	200
Draft	pascal	12 pa
Gas connection	inches	1/2
Type of construction		A1-B1IBS
Energy Consumption	W	370

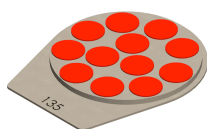
AVAILABLE SHAPES



NAPOLI



CAPACITY



Ø 135