

1 Door Roma Rotating Oven

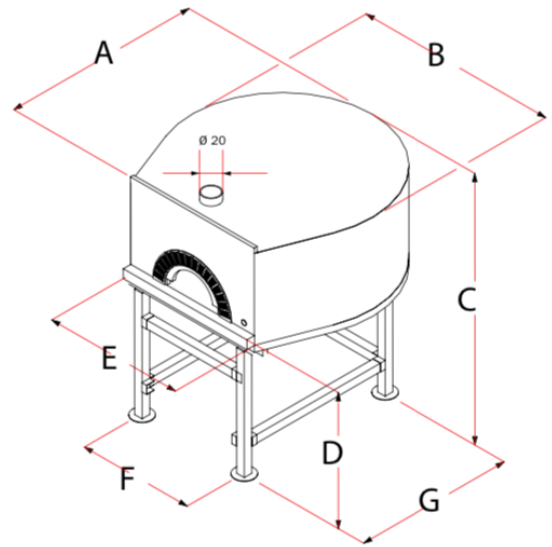
RIF. COD. FRIB

FEATURES	UM	Ø 95
Height of the cooktop	cm	120
Door width	cm	54/68
Power consumption	Kw	0,36
Total weight (standard finish)	Kg	1300
Capacity	nr.	5-6
Supply		Legna-Gas
Under-floor burner		o
Minimum flue dimensions: Ø 20 cm		

AVAILABLE SHAPES

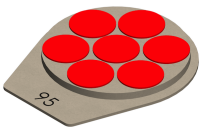


DIMENSIONS	UM	Ø 95
A - Depth	cm	163
B - Width	cm	152
C - Height	cm	190
D	cm	120
E	cm	105
F	cm	94
G	cm	105
External band projection over the feet of the oven cm 17		



GAS DATA	UM	Ø 95
Thermal power	kW	34
LPG consumption	kg/h	2,681
Methane Consumption	m³/h	3,598
Flue gas temperature	°c	200
Draft	pascal	12 pa
Gas connection	inches	1/2
Type of construction		A1-BIIBS
energy Consumption	W	370

CAPACITY



Ø 95