

# KLIMA AGING SYSTEM

Patented

## Dry aging refrigerator

### DATA SHEET 900

Length (mm): 920  
Depth (mm): 725  
Height (mm): 2115  
Pallet size (mm): 990x800x2030

#### KAS900PV

Net weight (kg): 191  
Packed unit weight (kg): 210

#### KAS900PC

Net weight (kg): 166  
Packed unit weight (kg): 185

Litres capacity: 800 LT  
Electrical power: 1,0 kW  
Electrical connection: 230V - 50-60 Hz

#### Models:

- **KAS900PV** - 1 glass door
- **KAS900PC** - 1 inox door

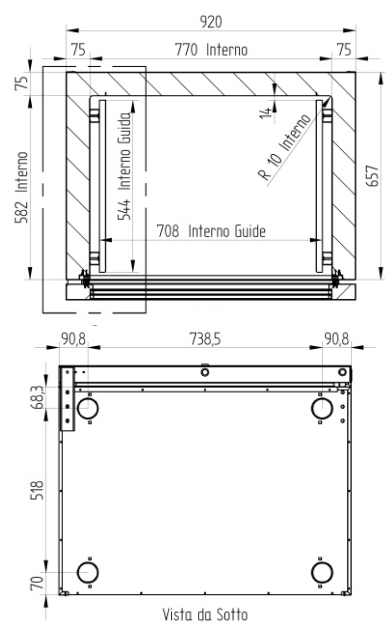
#### Accessories included depending on the specific kit chosen

##### - SALUMI KIT

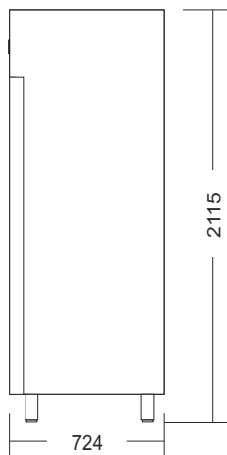
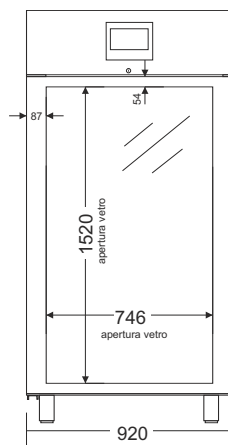
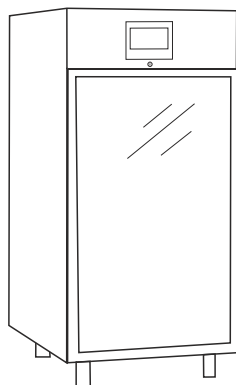
- 3 frames for hanging salami
- 3 stainless steel pairs of rails

##### - CHEESE KIT

- 4 stainless steel pairs of rails
- 4 evaporated wooden planks



### KAS900PV



### KAS900PC

