

## TECHNICAL DATA

Weight:	210 kg
Grill Rack size:	530 x 764 mm
Capacity:	110 covers
Working temperature:	250 - 350 °C
Av. daily charcoal cons.:	8 - 12 kg
Power:	7,5 kW
Exhaust rate:	3.400 m <sup>3</sup> /h
Max. smoke flow:	12,5 g/s

## STANDARD EQUIPMENT

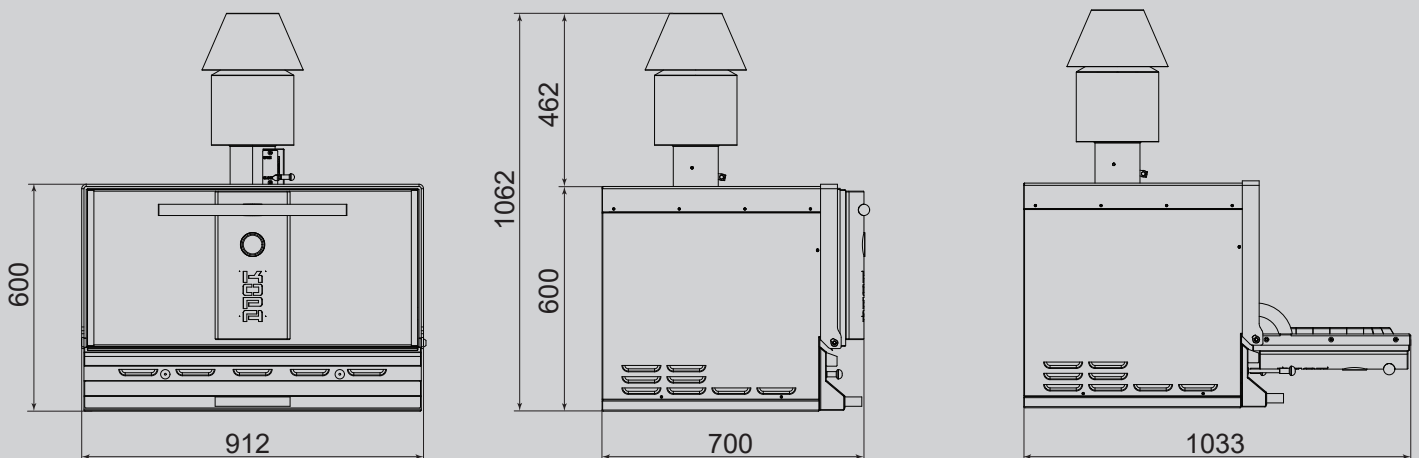
Firebreak  
 Firebreak Hood  
 Grill Rack x 2  
 Kopa Tong  
 Ash Drawer

## OPTIONAL EQUIPMENT

Additional Grill Rack  
 Additional Tong  
 Brush



## TECHNICAL DRAWINGS



Available in these colors:



Red



Black



Brown



Shiny metal and gold\*  
 \*surcharge