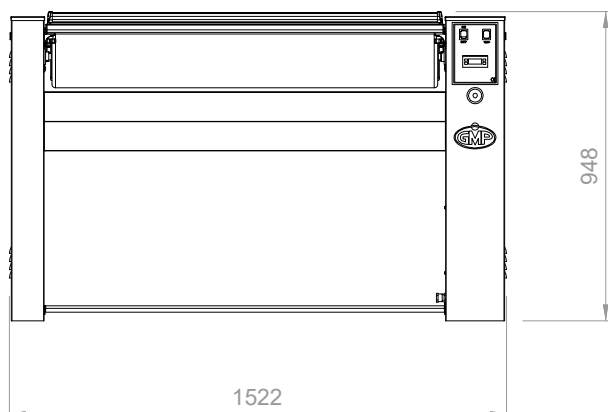


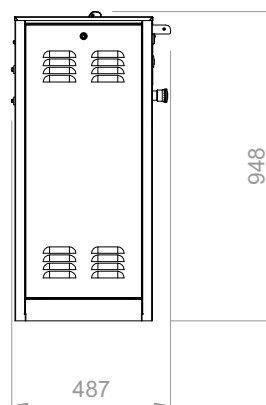
GMP 120.20

INSTALLATION PLAN

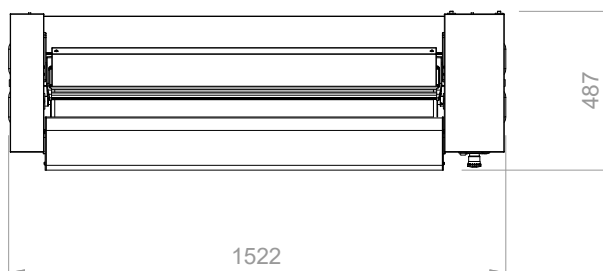
FRONT






SIDE



TOP



WHAT YOU NEED

Electrical cable + industrial plug			
	V.230/1/50-60Hz	V.230/3/50-60Hz	V.400/3N/50-60Hz
	19 Amps	11 Amps	7 Amps
Total power required	4,23 kW	4,23 kW	4,23 kW
Differential magnetothermal switch	I _{dn} = 0.03 A	I _{dn} = 0.03 A	I _{dn} = 0.03 A
Ducting	n/a	n/a	n/a
Clearance around the ironer	back: not needed - right: 650 mm - left: not needed		