

TECHNICAL DATA

Weight:	160 kg
Grill Rack size:	530 x 570 mm
Capacity:	20 kg meat / h
Working temperature:	250 - 350 °C
Av. daily charcoal cons.:	5 - 8 kg

PACKAGE

Weight:	175 kg
Package dimensions:	800 x 750 x 800 mm

STANDARD EQUIPMENT

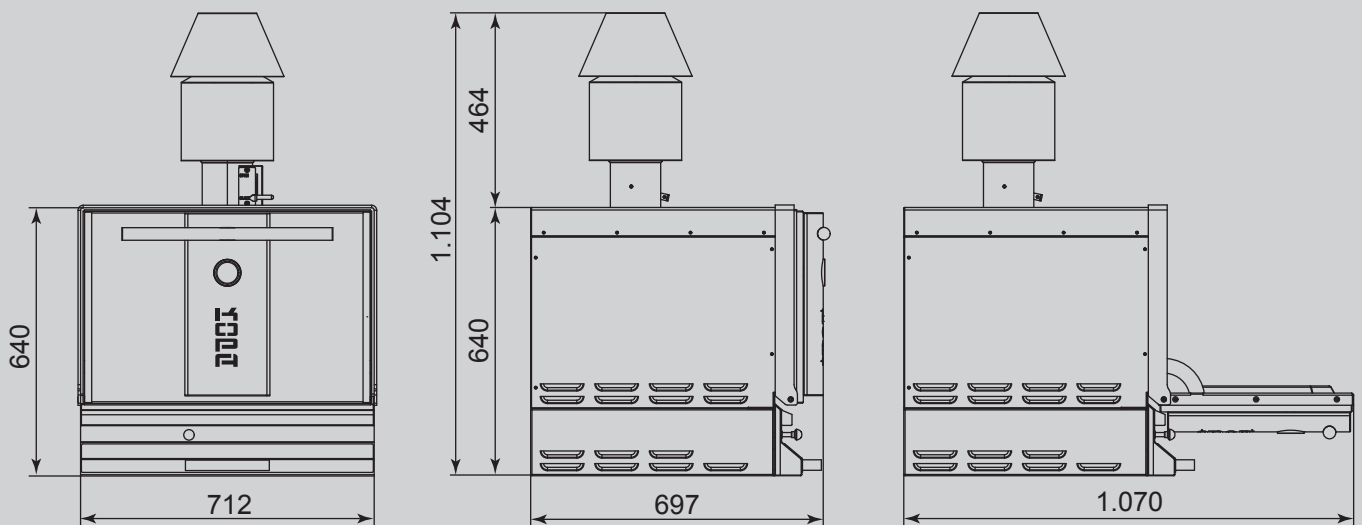
Firebreak
 Firebreak Hood
 Grill Rack 2x
 Thong
 Ash Drawer

OPTIONAL EQUIPMENT

Additional Grill Rack
 Additional Thong
 Brush



TECHNICAL DRAWINGS



Available in these colors:



Red



Black



Brown



Shiny metal and gold*
 *surcharge