

Horizontal Grill mod GHPI 2F/1000

**Dimensions:**

963mm (l) x 912mm (a) x 683mm (p)

**Grilling area** 747mm x 478mm

**Weight:** 141 kg

**Thermal Flow:** 44 kw

**Type:** A

**Category:** II<sub>2H3+</sub>

**Voltage:** 230 V

**Electric power:** 22 w

**Butane gas**

Pressure - 28-30 mbar

Consumption - 1,9 kg/h

**Propane gas**

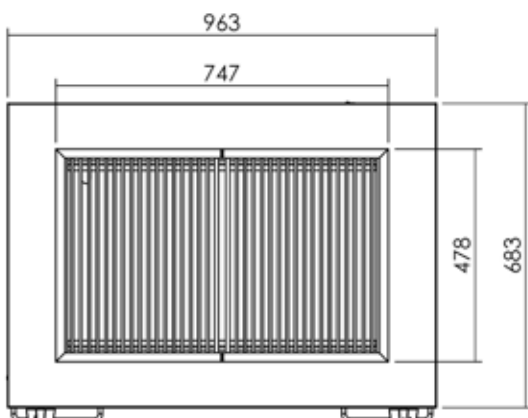
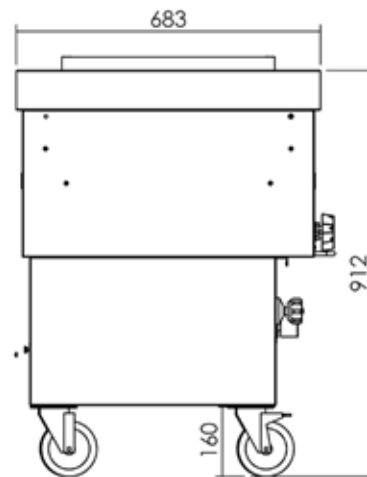
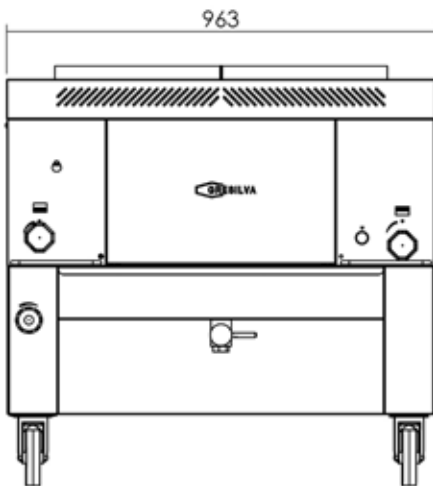
Pressure - 37 mbar

Consumption - 1,9 kg/h

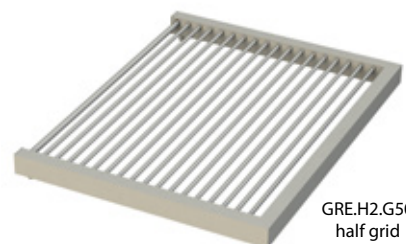
**Natural gas**

Pressure - 20 mbar

Consumption - 2,6 m<sup>3</sup>/h



scraper



GRE.H2.G50  
half grid