



RX-4 egg breaker

Description

Capacity: 26 000 eggs/hour

Replaces: 56 people

Power supply: 2 kW 400 V 3/N/PE 50/60 Hz
2 kW 230 V 3/N/PE 50/60 Hz

Dimensions: 3900x1250x1550 mm

Minimal workspace: 4500x2750 mm

The egg breaker imitates the work of human hands by cracking the eggshells with the use of special knives. The machine's high capacity is attributed to the use of a rotating knife mechanism. After being cracked open, eggs slide down a separator, where yolks are separated from egg whites. This most hygienic egg breaking method is an innovation by OVO-TECH. After completion of the job, the machine can be closed and cleaned with the use of a CIP system.

The RX-4 egg breaker breaks eggs using four rows of highly specialized knife mechanisms. Eggs are automatically fed into the machine from a belt feeder. Yolk and white separation is accomplished with the use of three perpendicularly placed separators.

The machine is made out of stainless steel EN 1.4301 (AISI 304).



Compressed air: n/a

Weight: 475 kg



Water: water from client's installation

Operated by: 3-4 persons



Drain: n/a

Compatibility: 2xVEL-30, MX-4, UX-4, 2xPS-1, 2xFS



OVO-TECH HQ

Boczna 43
27-200 Starachowice
Poland, European Union

OVO-TECH USA

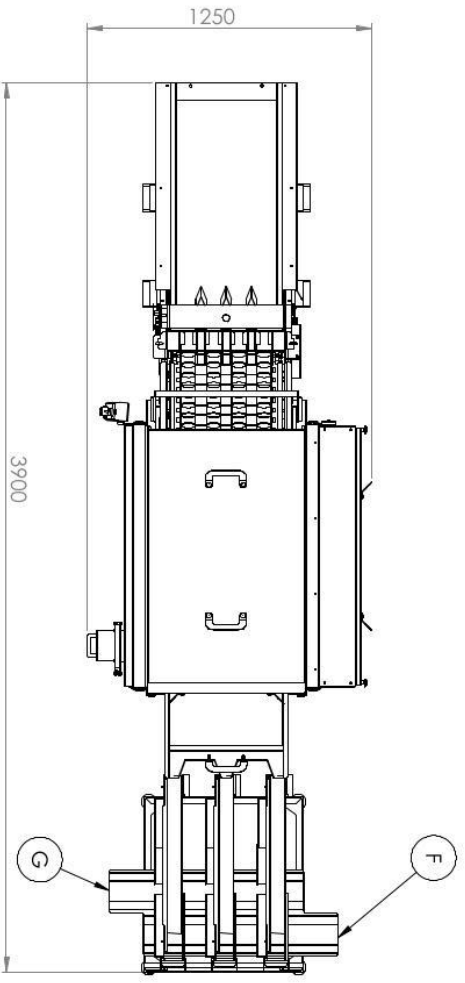
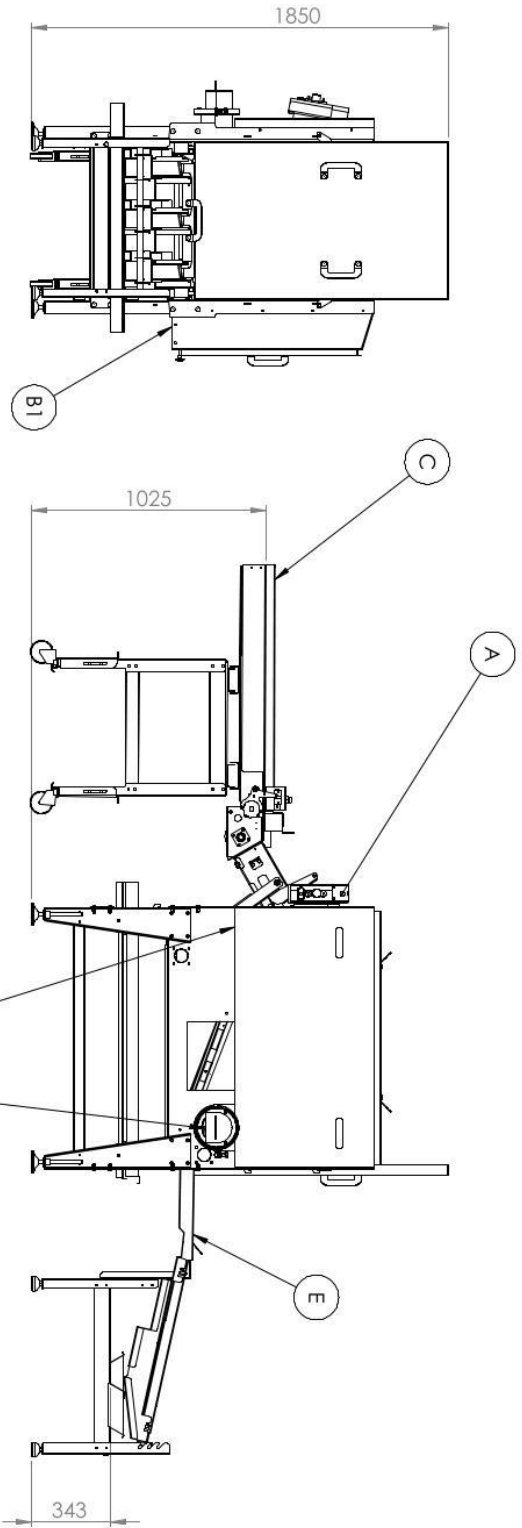
1680 Michigan Avenue, Suite 700
Miami Beach, FL 33139
United States

Sales

Email: sales@egg-breakers.com
Tel (Int'l): +48 792 333 900
Tel (US): +1 305 777 2227

Social media





All rights reserved
 No part of this document may be reproduced, stored in a retrieval system, or transmitted, in any form or by any means, without the prior written permission of OVO TECH.

Any use of the products, including the trademarks, without the prior written permission is strictly prohibited.

© 2022 OVO TECH

Model: RX 4

Version: 1.0

Drawn by: [Name]

Checked by: [Name]

Approved by: [Name]

Date: 23.05.2022

RX 4	
Typical workplaces:	egg breaking facilities, bakeries, confectioneries, pasta making companies
Capacity:	max. 26000 eggs/hour
Power supply:	3xW 400V 3/N/PE 50/60 Hz 3xW 230V 3/N/PE 50/60 Hz
Water connection:	Input: 1" Output: 2"
Compressed air connection:	
Minimal workspace:	5100 x 2650 mm
Dimensions:	3900 x 1250 x 1850
Operated by:	3-4 person
Minimal wall clearance:	the rear side - 600 mm
Additional information:	N/A
A	control panel
B1/B2	connections: electrical/water
C	eggs input
D	eggs/peels outlet
E	egg yolks outlet
F	egg yolks outlet
G	egg white outlet